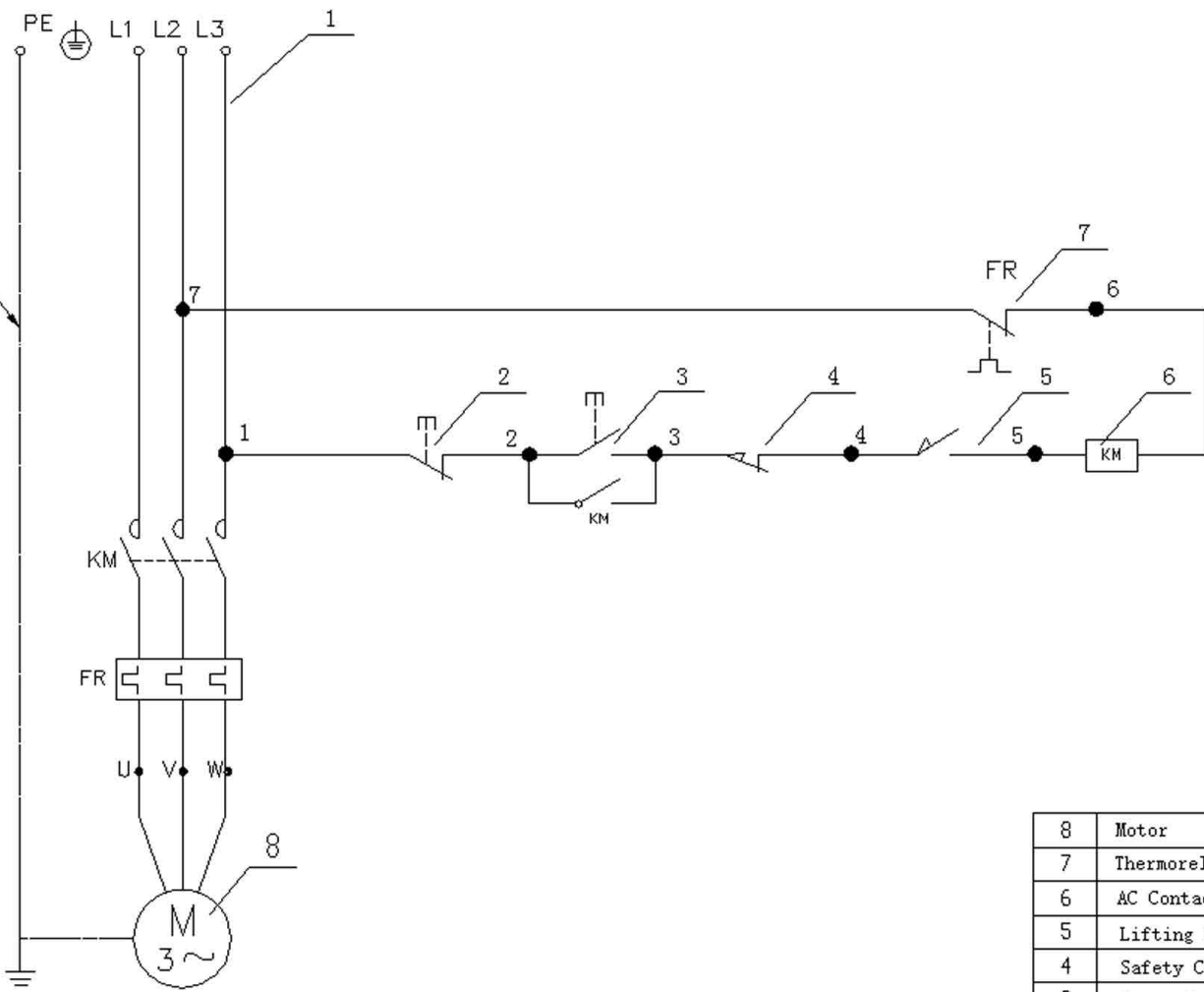


3~380V 50HZ



Yellow green wire is the earth wire.  
It is reliably connected with the machine frame work, all the parts easy to touch and the metal parts.

8	Motor
7	Thermorelay
6	AC Contactor
5	Lifting Position Switch
4	Safety Cover Position Switch
3	Start Button
2	Stop Button
1	Power Cord