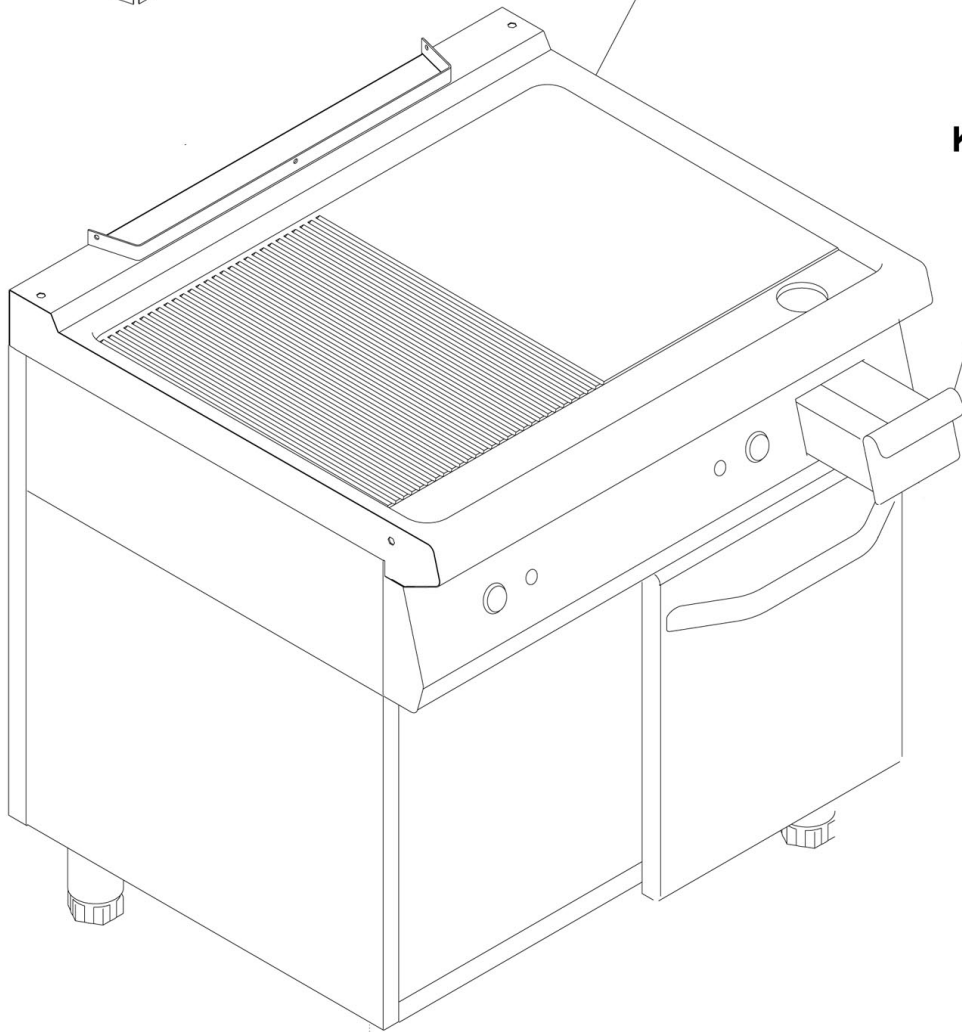
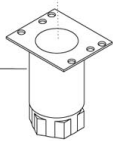
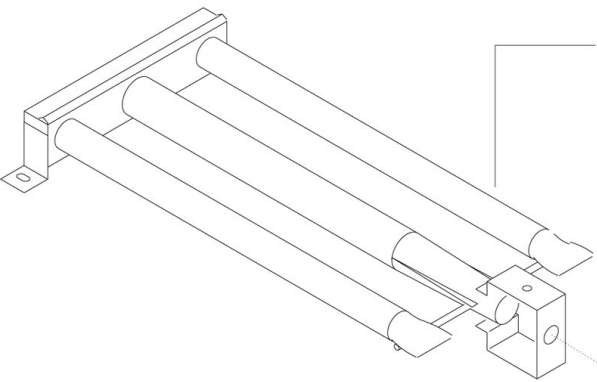


**K00207** (2855061)  
**K00208** (2855071)  
**K00205** (2855081)  
**K00206** (2855051)



**K26234**





**K26112**

| COD.          | Φ  | GAS  |
|---------------|----|--|
| <b>K22022</b> | 30 | G30/31 28..37mbar<br>G30/31 50mbar                                   |
| <b>K22133</b> | 51 | G20 20mbar<br>G20 25mbar<br>G25 20mbar<br>G25 25mbar<br>G25.1 25mbar |

| COD.          | Φ   | GAS               |
|---------------|-----|-------------------|
| <b>K22114</b> | 130 | G30/31 28..37mbar |
| <b>K22108</b> | 110 | G30/31 50mbar     |
| <b>K22103</b> | 195 | G20 20mbar        |
| <b>K22110</b> | 180 | G20 25mbar        |
| <b>K22105</b> | 215 | G25 20mbar        |
| <b>K22144</b> | 200 | G25 25mbar        |
| <b>K22116</b> | 210 | G25.1 25mbar      |

**K26113**

**K22189** (2855061)  
(2855071)

**K22016** (2855051)  
(2855081)

**K26021**

**K22000**

**K22023**

**K22196**

**K22019**

**K22002**

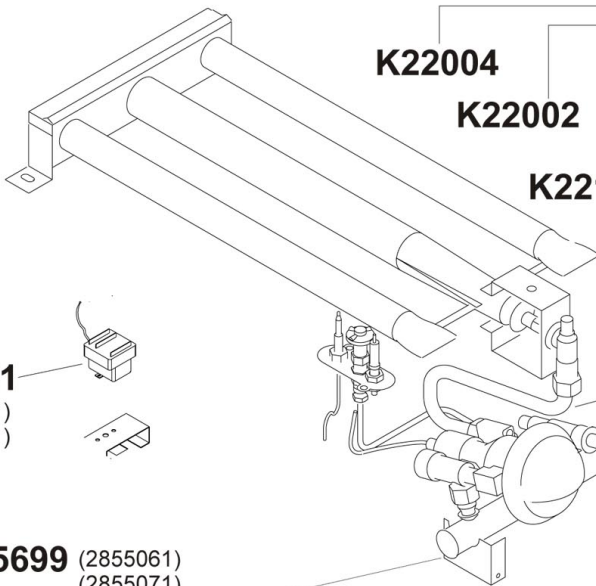
**K22003**

**K22005**

**K22004**

**K25815**

**K25814**



**K22004**

**K22002**

**K22002**

**K22188**

**K22004**

**K25815**

**K22005**

**K22003**

**K25113**

**K24000**

**K24003**

**K24041**  
(2855061)  
(2855071)

**K25699** (2855061)  
(2855071)

**K25820** (2855051)  
(2855081)

| COD.          | Φ   | GAS  |
|---------------|-----|--|
| <b>K22225</b> | 90  | G30/31 28..37mbar  |
| <b>K22217</b> | 75  | G30/31 50mbar  |
| <b>K22220</b> | 125 | G20 20mbar<br>G20 25mbar<br>G25 20mbar<br>G25 25mbar<br>G25.1 25mbar |

| Pos.                      | Artikelbeschreibung                  | Description of item                   | Artikel Nr./Item No. |
|---------------------------|--------------------------------------|---------------------------------------|----------------------|
| K00188                    | Fettauffangschublade                 | Grease drip drawer                    | 049999               |
| K00205                    | Griddleplatte, glatt                 | Griddle plate, smooth                 | E051029              |
| K00206                    | Griddleplatte, 1/2 glatt-1/2 gerillt | Griddle plate 1/2smooth-1/2grooved    | E051030              |
| K00207                    | Griddleplatte, glatt                 | Griddle plate, smooth                 | E051031              |
| K00208                    | Griddleplatte, gerillt               | Griddle plate, grooved                | E051032              |
| K22000<br>K26021          | Düsenr ager, D 10 mm, m. Mutter      | Nozzle holder, D 10 mm, w. nut        | 049090               |
| K22002                    | Doppelkegelring D 10 mm              | Double taper seal D 10 mm             | 049818               |
| K22003                    | Schneidring                          | Cutting ring                          | 0MA673600            |
| K22004                    | Mutter f. Doppelkegelring            | Nut f. double taper seal              | 049819               |
| K22005                    | Muffennippel, Messing                | Bush nipple, brass                    | 024540               |
| K22016                    | Thermoelement 450 mm                 | Thermocouple 450 mm                   | 049608               |
| K22019                    | Z ndbrenner, 3-Flammig               | Ignition burner, 3 burners            | 049251               |
| K22022                    | Z ndd use, Propan, D 30, 37/50 mbar  | Ignition nozzle, propane, D30,50mbar  | 049395               |
| K22023                    | Z ndkerze                            | Ignition plug                         | 01888300             |
| K22103                    | D use, D 195, G 20, 20 mbar          | Nozzle, D 195, G 20, 20 mbar          | 049604               |
| K22105                    | D use, D 215, G 25, 20 mbar          | Nozzle, D 215, G 25, 20 mbar          | 049605               |
| K22108                    | D use, Propan, D 110                 | Nozzle, propane, D 110                | 049603               |
| K22114                    | D use, Propan, D 130, 37 mbar        | Nozzle, propane, D 130                | 049329               |
| K22116                    | D use, Erdgas H, D 210               | Nozzle, natural gas H, D 210          | 049615               |
| K22133                    | Z ndd use, Erdgas, D 51, G 20        | Ignition nozzle, nat. gas, D 51, G 20 | 049396               |
| K22188                    | Armatur                              | Armature                              | 049187               |
| K22189                    | Thermoelement m. Kabel               | Thermocouple w. cable                 | 049232               |
| K22196                    | Dichtung                             | Sealing                               | 051009               |
| K22217                    | Kleinstellschraube, Propan, D 75     | Min.regulating screw, propane, D75    | 049153               |
| K22220                    | Kleinstellschraube, Erdgas, D 125    | Min. regulating screw, nat. gas, D125 | 049609               |
| K24000                    | Z ndkabel 450 mm                     | Ignition cable 450 mm                 | 049311               |
| K24003                    | Piezoz nder D 18 mm                  | Piezo igniter D 18 mm                 | 049069               |
| K24041                    | Sicherheitsthermostat L.120          | Safety thermostat L.120               | 049389               |
| K25113                    | Knebel                               | Knob                                  | 049066               |
| K25699                    | Gasrampe                             | Gas ramp                              | 049934               |
| K25700                    | Gasrampe                             | Gas ramp                              | 049188               |
| K25814                    | Z ndgasleitung                       | Pilot gas pipe                        | 051000               |
| K25815                    | Hauptgasleitung                      | Main gas pipe                         | 051011               |
| K26021                    | Mutter M 14 x 1                      | Nut M 14 x 1                          | 049339               |
| K26112<br>K26113          | Brenner m. Einstellungsbuchse        | Burner w. air regulation bush         | 049600               |
| K26234                    | Fu  komplett, H120/170               | Complete base, H120/170               | 049034               |
|                           | Fu  komplett, H150/200               | Complete base, H150/200               | 049014               |
|                           | Fu  H130/190, mit Gewinde            | Foot H130/190, w. thread              | E026437              |
| o. Abb./<br>no pic.       | Spritzschutz 700, 40cm breit         | Splash guard 700, 40cm wide           | 285070               |
|                           | Spritzschutz 700, 80cm breit         | Splash guard 700, 80cm wide           | 285075               |
| f r<br>2855051<br>2855061 | D sensatz, Propan G30, 30mbar        | Nozzle set, propane G30, 30mbar       | E073045              |
| f r<br>2855071            | D sensatz, Propan G30, 30mbar        | Nozzle set, propane G30, 30mbar       | E073046              |
| f r<br>2855081            | D sensatz, Propan G30, 30mbar        | Nozzle set, propane G30, 30mbar       | E073033              |
|                           |                                      |                                       |                      |
|                           |                                      |                                       |                      |
|                           |                                      |                                       |                      |
|                           |                                      |                                       |                      |
|                           |                                      |                                       |                      |
|                           |                                      |                                       |                      |
|                           |                                      |                                       |                      |
|                           |                                      |                                       |                      |
|                           |                                      |                                       |                      |