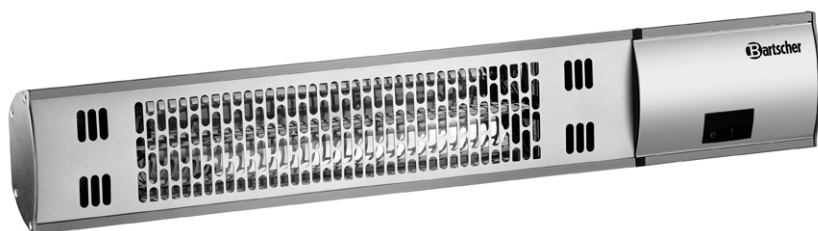


W2000 E



825215

ENGLISH

Table of contents

1. Safety 20
1.1 Key to symbols 20
1.2 Safety instructions 21
1.3 Proper use 25

2. General information 26
2.1 Liability and Warrantees 26
2.2 Copyright protection 26
2.3 Declaration of conformity 26

3. Transport, packaging and storage 27
3.1 Delivery check 27
3.2 Packaging 27
3.3 Storage 27

4. Technical data 28
4.1 Technical specification 28
4.2 Overview of parts 29

5. Installation and operation 30
5.1 Installation 30
5.2 Operation 33

6. Cleaning 35

7. Waste disposal 36

Bartscher GmbH
Franz-Kleine-Str. 28
33154 Salzkotten
Germany

phone: +49 5258 971-0
fax: +49 5258 971-120
Service-Hotline: +49 5258 971-197
www.bartscher.com



Read this instruction manual before using and keep them available at all times!

This instruction manual contains information about the installation, operation and maintenance of the device and should be consulted as an important source of information and reference guide.

Awareness of the safety instructions and instructions for use in this manual will ensure the safe and correct use of the device.

In addition to the information given here, you should comply with any local Health and safety Controls and generally applicable safety regulations.

The instruction manual forms part of the product and should be kept near the device and easily accessible for anyone carrying out the installation, servicing, maintenance or cleaning.

Please keep these instructions and give them to future owners of the device.

1. Safety

This device is designed in accordance with the presently applicable technological standards. However, the device can pose a danger if handled improperly and inappropriately.

All persons using the device must follow the recommendations and instructions in this instruction manual.

1.1 Key to symbols

In this manual, symbols are used to highlight important safety instructions and any advice relating to the device. The instructions should be followed very carefully to avoid any risk of accident, personal injury or material damage.



DANGER!

This symbol highlights hazards which could lead to injury.



WARNING!

This symbol highlights dangerous situations which could lead to injury or death.



HOT SURFACE!

This symbol is a warning that the device surface is hot when in use. Ignoring this warning may result in burns!



CAUTION!

This symbol highlights dangerous situations which could lead to light injuries, or damage, malfunction, and/or destruction of the device.



NOTE!

This symbol highlights recommendations and information aimed for effective and trouble-free device operation.

1.2 Safety instructions

- The device is not intended for use by individuals (including children) with physical or mental disabilities, insufficient experience, and/or insufficient knowledge unless such persons are under the care of a person responsible for their safety or have received instructions regarding appropriate use of the device.
- Children should be observed to ensure that they are not playing with or starting the device.
- This device is not equipped with a thermostat regulating the room temperature. Do not use the device in small rooms if there are people there who are not able to leave the room on their own, unless during the operation of the device a permanent supervision is ensured.
- **Never** leave the device unattended when in use.
- Never use the device with a programmable switch, timer or an automatic switching device.

- The device must be operated in correct and safe technical condition only. In case of operational problems disconnect the device from the power supply (pull the plug from the socket) and contact the service company.
- Prevent access of children to the package materials like plastic bags and foamed polystyrene elements. **Suffocation hazard!**
- Only a qualified technician and using original spare parts and accessories should carry out repairs and maintenance of the device. **Do not attempt to repair the device yourself.**
- Do not use any accessory or spare parts that have not been recommended by the manufacturer. These can be dangerous for the user or lead to damages of the device or personal injury, and further, the warranty expires.
- To prevent hazards and to ensure optimum efficiency, no modifications or alterations to the device that are not explicitly approved by the manufacturer may be undertaken.



DANGER! Electric shock hazard!

To avoid the hazard results please follow the safety instructions below.

- Never allow the power cable to come into contact with heat sources or sharp edges. The power cable should not hang over the side of the working surface. Ensure that no one can step on or trip over the cable.
- The power cable must not be folded, bent or tangled, and must always remain fully unrolled. Never place the device or other objects on the power cable.

- Do not cover the cable. Keep away the cable from operating range.
- Check the power cord regularly for damage. Do not use the appliance if the power cord is damaged. If this cable is damaged, it must be replaced by customer service or a qualified electrician in order to avoid dangers.
- The supply cable must be disconnected from the socket only by pulling the plug.
- Never carry or lift the device by the supply cable.
- Never wrap the power cord around the heater.
- In any case do not open the device housing. In case of electrical or mechanical modifications the **electric shock hazard** will occur.
- Do not place foreign objects in the device openings! This may result in electric shock and damage the equipment!
- The device may not be exposed to vibrations and other mechanical shocks.
- Although the heater is splash-proof, do not use the device during rain.
- Never immerse the device, power cord or the plug in water or other fluids.
- Do not use any acid agents and make sure no water ingresses the device.
- **Never** operate the device with moist hands or standing on wet floor.
- Remove the plug from its socket:
 - when the device is not used,
 - in case of anomalies during operation,
 - before cleaning.



HOT SURFACE! Burn hazard!

To avoid the hazard results please follow the safety instructions below.

- During the operation, the housing and protective grid become very hot, do not touch these elements during the operation of the device.
- Also after switching the device off, it remains hot for some time afterwards; before cleaning the device, handling or moving it to a different place, leave the device to cool down.
- **Never** move the device during its operation.
- Keep children and animals away from the device. Children should never use the heater.



WARNING! Fire or explosion hazard!

To avoid the hazard results please follow the safety instructions below.

- Do not use the device near the containers holding gas, petrol, paint, spirits, alcohol or inflammable objects. High temperature may lead to their evaporation and their coming into contact with the sources of ignition may result in deflagration, in effect leading to personal injuries and material damages.
- The heater is designed for private use only. Never use the device in greenhouses, livestock buildings or similar buildings, because they often have inflammable objects or excessive dust which may also present a risk.
- **Never** dry clothes, towels or similar objects on the device. **Risk of overheating and fire!**

- In case of fire, before starting any fire-fighting actions, pull the plug from the socket. Ensure proper flow of fresh air.

Note: Never extinguish fire with water while the plug is connected to the socket. **Risk of electric shock!**

1.3 Proper use

The operational safety of the device is assured only in case of proper use, according to the operation manual.

All technical activities like installation and maintenance must be performed by the qualified service personnel only.

Heater is designed for inner and outer spaces, and may be used outdoors and in an enclosed space, provided that the safety instructions presented in this operating manual are observed.

The heater is designed only for home use. **Never use it in greenhouses, livestock buildings and similar buildings.**



CAUTION!

Any use going beyond the intended purpose and/or any different use of the device is forbidden and is not considered as conventional.

Any claims against the manufacturer or his authorized representative as a consequence of experiencing damages resulting from unconventional use are impossible.

The operator is liable for all damages resulting from inappropriate use.

2. General information

2.1 Liability and Warrantees

All the information and instructions in this manual take into account standard safety regulations, current levels of technical engineering as well as the expertise and experience we have developed over the years.

The instruction manual was translated with all due care and attention. However, we do not accept liability for any translation errors. The German version of this instruction manual is definitive.

If the delivery consists of a special model, the actual scope of delivery may differ from the descriptions and illustrations in this manual. This is also the case for special orders or when the device has been modified in line with new technology.



CAUTION!

Read this manual carefully and thoroughly before any operation of the device, and especially before turning it on!

Manufacturer is **not liable** for any damages or faults caused by:

- violation of advice concerning operation and cleaning;
- use other than designed;
- alterations made by user;
- use of inadequate spare parts.

We reserve the right to make technical changes for purposes of developing and improving the useful properties.

2.2 Copyright protection

The instruction manual including any texts, drawings, images or other illustrations is copyright. No part of this publication may be reproduced, transmitted or used in any form or by any means without permission in writing from the manufacturer. Any person who commits any unauthorized act in relation to this publication shall be liable to claims for damages. All rights reserved.



NOTE!

The contents, texts, drawings, pictures and any other illustrations are copyright and subject to other protection rights. Any person unlawfully using this publication is liable to criminal prosecution.

2.3 Declaration of conformity



The device complies with the current standards and directives of the EU. We certify this in the EC declaration of conformity. If required we will be glad to send you the according declaration of conformity.

3. Transport, packaging and storage

3.1 Delivery check

Please check the delivery upon completeness and transport damage immediately after receipt. In case of visible damage do not accept or accept the delivery with reservation only.

Note the extent of damage on the carrier's bill of delivery. Trigger off the complaint.

Hidden damages should be reclaimed immediately after notice, as claims for damages can only be asserted within the effective period for complaints.

3.2 Packaging

Please do not throw away the covering carton of your device as it might be useful for storage purposes, when moving or, in case of damages, when the device must be sent back to a repair center. The outer and inner packing material should be removed completely from the device before installation.



If you liked to dispose the packing, consider the regulations applicable in your country. Supply re-usable packing materials to the recycling.

Please inspect the device upon completeness. In case any part is missing please contact our customer service center immediately.

3.3 Storage

Keep the package closed until installation and under consideration of the outside indicated positioning- and storage markings.

Packages should be stored under consideration of the following:

- Do not store outdoors.
- Keep it dry and dust-free.
- Do not expose it to aggressive media.
- Do not expose it to direct sunlight.
- Avoid mechanical shocks and vibration.
- In case of longer storage (> 3 months) make sure you check the state of the packaging and the parts regularly.
If required refresh or renew.

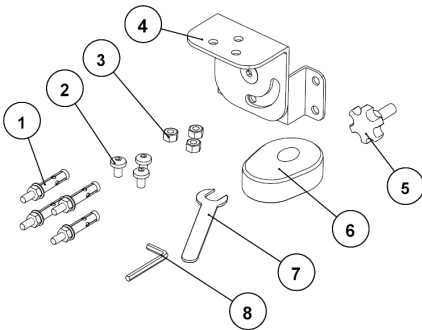
4. Technical data

4.1 Technical specification

Name	Heater W2000 E for wall mounting
Code-No:	825215
Housing material:	Aluminum
Design:	<ul style="list-style-type: none"> ▪ infrared heating tube 2000 W ▪ for indoor and outdoor use ▪ wall holder for easy mounting, inclination angle up to 90° ▪ main switch, ON/OFF button ▪ cable outlet at the rear of the heater ▪ cable length: 1.7 meters
Power:	2 kW / 230 V 50 Hz
Type of protection:	IP54
Dimensions:	W 615 x D 60 x H 100 mm
Weight:	1.6 kg
Accessories:	1 remote control, mounting materials

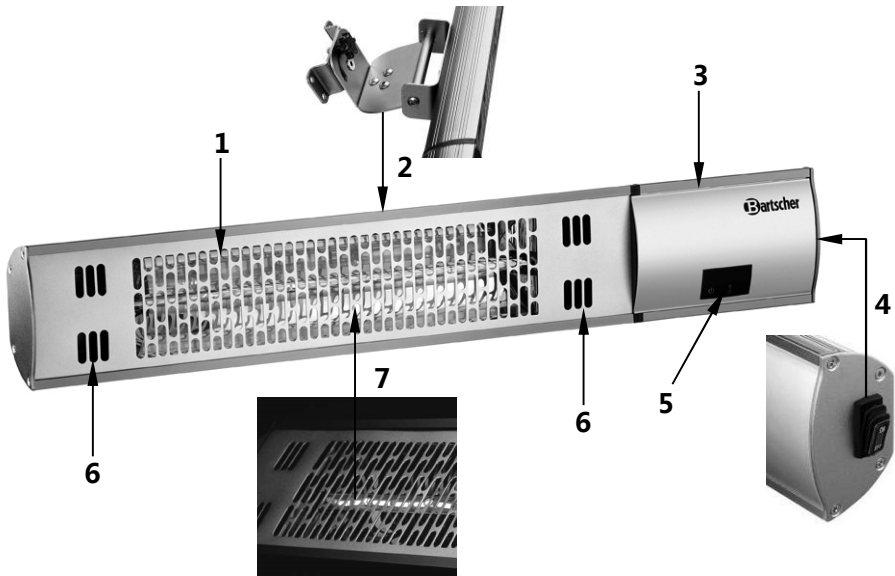
We reserve the right to make technical changes!

Accessories within the scope of delivery



Item	Name	Quantity
①	M6*50 anchors	4
②	M6*10 bolts	3
③	M6 nuts	3
④	Wall holder enabling tilting	1
⑤	Locking screw	1
⑥	Remote control	1
⑦	M6 open end wrench	1
⑧	Allen wrench	1

4.2 Overview of parts



- 1 Protective fins
- 2 Wall holder
- 3 Housing
- 4 Main switch
- 5 Control panel
- 6 Ventilation holes
- 7 Infrared heating tube

5. Installation and operation

5.1 Installation

- Unpack the device and remove the packaging material. Check the delivery for completeness.

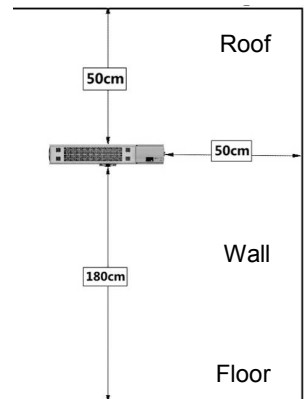


CAUTION!

Never remove the nameplate and warning signs from the device.

Place of installation

- The heater may be mounted outdoors or in a big, open and well ventilated room. Make sure that in the place of installation the high temperature does not directly affect various obstacles or objects (e.g. branches, furniture, curtains or other inflammable objects).
- **Never** hang the device near inflammable materials.
- Do not place inflammable liquids, gases or other inflammable objects near the device. **Risk of fire!**
- **Never** mount the device within bathing areas, saunas or bathrooms and shower areas.
- Never use the heater in dusty or explosive environment.
- **Never** place the device directly above or under the wall socket.
- The device may be mounted only on or under the non-combustible material (**wood and similar material is forbidden**).
- Mount the heater on the wall with a big free space. Keep the following minimum distances:
 - a) **50 cm** on the side to the wall or other objects;
 - b) **50 cm** from the ceiling;
 - c) **180 cm** mounting height from the floor.
- The heater must be mounted at a safe distance (free space) of at least **2.0 m**, from **inflammable materials and glass walls**.



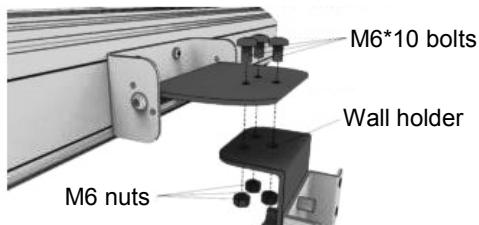
- If the device is mounted in workshops or garages in which flammable or combustible lacquers are used, keep a safe distance of at least **4 meters** from the source of hazard.
- If the device is installed in the areas in which spray-painting of any type is performed, it cannot be switched on during lacquering.
- Mount the device so that the plug is easily accessible so as to quickly disconnect the device from the power supply if the need arises.

Installation

- The device is designed for wall mounting. Use the supplied mounting accessories. Perform the following actions:

Step 1:

Using 3 M6*10 bolts and 3 nuts mount the heater on the wall holder.

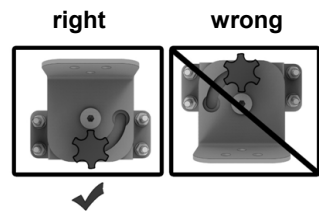


Step 2:



WARNING!

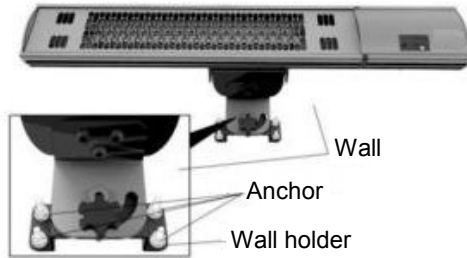
During the installation of the wall holder, make sure to mount the device as shown on the illustration on the right, to avoid fire hazard as a result of electronics overheating.



Using the holes in the wall holder mark 4 drilling places at the height of at least 180 cm. Drill 4 holes and insert 4 supplied M6*50 anchors.

Unscrew the nuts by means of the open end wrench, then remove spring washers and ordinary washers from threaded bolts of the anchors. The removed elements will be used during further mounting.

Mount the wall holder of the heater on the threaded bolts of the anchors. Place the washers on the threaded bolts and tighten the wall holder with the nuts.



CAUTION!

The device may be used only in the horizontal position!

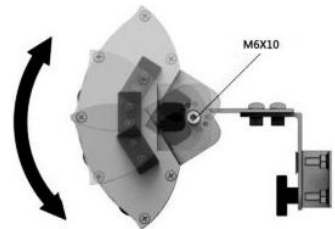
Change of the inclination



WARNING! Burn hazard!

During the operation, the heater becomes very hot!
Never change its inclination angle the heater during use!
Disconnect the device from the power supply before introducing changes and leave it to cool down.

- The inclination angle may be changed within the range from 0° to 90°.
- For this purpose, loosen both M6* bolts near the wall holder (the figure on the right) by means of the Allen wrench.
- Set the desired inclination angle. Next, retighten the loosened bolts with the Allen wrench.



CAUTION!

The inclination angle may be changed only in the way presented!

Connection



DANGER! Electric shock hazard!

**The device can cause injuries due to improper installation!
Before installation and connecting the local power grid specification should be compared with that of the device (see rating plate).**

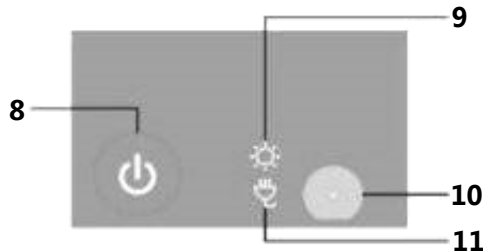
Connect the device only in case of compliance!

- **Never** connect the device to the power supply before its proper mounting on the wall.
- The device must be grounded.
- The power supply circuit with the socket must be protected by the fuse of at least 16A. Connect the device directly to a single grounded socket. Do not use any power bar or multiple socket.

5.2 Operation

- Before the first use, clean the device according to the instructions presented in section 6 “**Cleaning**”.

Control panel



- 8** ON/OFF switch
- 9** Operation mode indicator (red)
- 10** Infrared receiver for the remote control
- 11** Stand-by mode indicator (red)

Switching the device on

- Connect the device to a single, grounded socket.
- Switch the device on using the main switch on the right side of the device, setting it to “**ON**” position. The stand-by mode indicator on the control panel will come on.
- To switch on individual heating tubes, press **ON/OFF** switch on the control panel or use the supplied remote control.

Remote control

The infrared heating tubes may be switched on or off with **the remote control** button, as needed.



1 press once → the heating tube is switched on

**Press again → the heating tube is switched off,
the device in standby mode**

- Heating tubes emitting infrared radiation will immediately start dissipating the heat.



HOT SURFACE! Burn hazard!

**During the operation, the heater becomes very hot.
Never touch the device during the operation and
immediately after its shutdown.**

- After the use, switch the heater off with the main switch located at the right side, switching it to “**OFF**” position and disconnect it from the power (pull the plug from the socket!).

6. Cleaning



WARNING!

Before cleaning, switch the device off with the main switch, disconnect the device from the power supply (pull the plug!) and leave the device to cool down.

Never clean the device with use of pressurized water jet. Protect the device from the water penetration.



CAUTION!

Never use aggressive or abrasive cleaning agents.

Do not use flammable cleaning agents (e.g. gasoline or solvents)!

Do not use sharp or pointed objects.

- Clean the device regularly.
- Wipe the housing of the device with a soft, moist cloth and then dry the cleaned surfaces thoroughly.
- Clean the protective fins with a soft brush or vacuum cleaner.
- Use only soft cloth for cleaning of the device.
- Any maintenance and repair work, including heating tube replacement, may be performed only by an electrician.

Storage of the device

- If the device is not used for a long time, it should be disassembled.
- Clean the device according to the above mentioned description and store in a dry, clean place protected against frost and direct sunlight and inaccessible to children.
- Cover the device to protect it against dust and dirt.
- Do not place any heavy objects on the device.

7. Waste disposal

Old devices



The electric devices are marked with this symbol. You must not dispose of electric devices with household waste. When the device may not be longer used each consumer is obliged to dispose of the device at the dedicated local collection point, separately from household waste.



NOTE!

Electric devices should be used and disposed of properly to prevent the impact on the environment.

- Disconnect the device from the power supply and remove the power cord from the device.