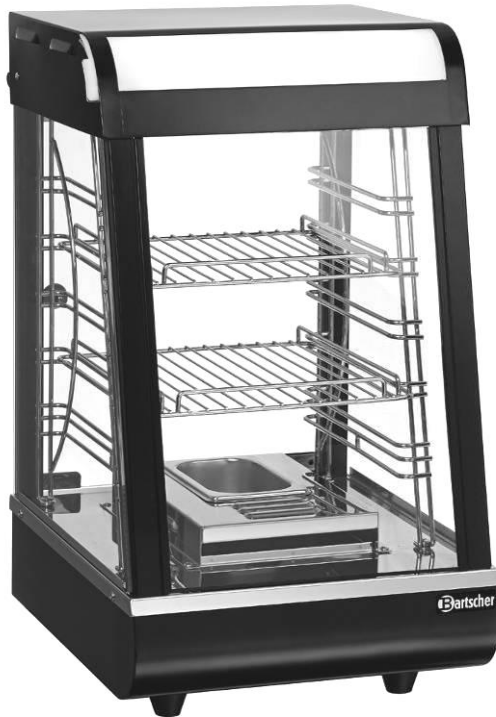


„Deli Compact“



306057

ENGLISH

Table of contents

1. Safety 20
1.1 Key to symbols 20
1.2 Safety instructions 21
1.3 Proper use 25

2. General information 26
2.1 Liability and Warrantees 26
2.2 Copyright protection 26
2.3 Declaration of conformity 26

3. Transport, packaging and storage..... 27
3.1 Delivery check 27
3.2 Packaging..... 27
3.3 Storage..... 27

4. Technical data 28
4.1 Overview of parts 28
4.2 Technical specification 30

5. Installation and operation..... 31
5.1 Installation 31
5.2 Operation..... 32

6. Cleaning 34

7. Waste disposal 36

Bartscher GmbH
Franz-Kleine-Str. 28
33154 Salzkotten
Germany

phone: +49 5258 971-0
fax: +49 5258 971-120
Service-Hotline: +49 5258 971-197
www.bartscher.com



Read this instruction manual before using and keep them available at all times!

This instruction manual contains information about the installation, operation and maintenance of the device and should be consulted as an important source of information and reference guide.

Awareness of the safety instructions and instructions for use in this manual will ensure the safe and correct use of the device.

In addition to the information given here, you should comply with any local Health and safety Controls and generally applicable safety regulations.

The instruction manual forms part of the product and should be kept near the device and easily accessible for anyone carrying out the installation, servicing, maintenance or cleaning.

Please keep these instructions and give them to future owners of the device.

1. Safety

This device is designed in accordance with the presently applicable technological standards. However, the device can pose a danger if handled improperly and inappropriately.

All persons using the device must follow the recommendations and instructions in this instruction manual.

1.1 Key to symbols

In this manual, symbols are used to highlight important safety instructions and any advice relating to the device. The instructions should be followed very carefully to avoid any risk of accident, personal injury or material damage.



DANGER!

This symbol highlights hazards which could lead to injury.



WARNING!

This symbol highlights dangerous situations which could lead to injury or death.



HOT SURFACE!

This symbol is a warning that the device surface is hot when in use. Ignoring this warning may result in burns!



CAUTION!

This symbol highlights dangerous situations which could lead to light injuries, or damage, malfunction, and/or destruction of the device.



NOTE!

This symbol highlights recommendations and information aimed for effective and trouble-free device operation.

1.2 Safety instructions

- The device is not intended for use by individuals (including children) with physical or mental disabilities, insufficient experience, and/or insufficient knowledge unless such persons are under the care of a person responsible for their safety or have received instructions regarding appropriate use of the device.
- Children should be observed to ensure that they are not playing with or starting the device.
- **Never** leave the device unattended when in use.
- Only use the device indoors.
- The device must be operated in correct and safe technical condition only. In case of operational problems disconnect the device from the power supply (pull the plug from the socket) and contact the service company.

- Prevent access of children to the package materials like plastic bags and foamed polystyrene elements. **Suffocation hazard!**
- Only a qualified technician and using original spare parts and accessories should carry out repairs and maintenance of the device. **Do not attempt to repair the device yourself.**
- Do not use any accessory or spare parts that have not been recommended by the manufacturer. These can be dangerous for the user or lead to damages of the device or personal injury, and further, the warranty expires.
- To prevent hazards and to ensure optimum efficiency, no modifications or alterations to the device that are not explicitly approved by the manufacturer may be undertaken.



DANGER! Electric shock hazard!

To avoid the hazard results please follow the safety instructions below.

- Never allow the power cable to come into contact with heat sources or sharp edges. The power cable should not hang over the side of the working surface. Ensure that no one can step on or trip over the cable.
- The power cable must not be folded, bent or tangled, and must always remain fully unrolled. Never place the device or other objects on the power cable.
- Do not cover the cable. Keep away the cable from operating range and do not immerse it into water.

- Check the power cord regularly for damage. Do not use the device if the power cord is damaged. If this cable is damaged, it must be replaced by customer service or a qualified electrician in order to avoid dangers.
- The supply cable must be disconnected from the socket only by pulling the plug.
- Never carry or lift the device by the supply cable.
- In any case do not open the device housing. In case of electrical or mechanical modifications the **electric shock hazard** will occur.
- Do not use any acid agents and make sure no water ingresses the device.
- **Never** operate the device with moist hands or standing on wet floor.
- Remove the plug from its socket:
 - when the device is not used,
 - in case of anomalies during operation,
 - before cleaning.



HOT SURFACE! Risk of burns!

To avoid the hazard results please follow the safety instructions below.

- During operation the housing of the device becomes very hot. Do not touch the device! Use designated operating elements and handles.
- After the device has been switched off it remains hot for some time. Before starting cleaning or transporting the device, let the device cool down sufficiently.



WARNING! Risk of fire or explosion!

To avoid the hazard results please follow the safety instructions below.

- Never use the device near flammable or inflammable materials (such as alcohol, spirits, petrol etc). High temperature may cause their evaporation and due to contact with the ignition sources the deflagration may occur, and it may result in personal injuries and material damage.
- In case of fire and before taking relevant fire extinguishing action, disconnect the device from the electric power supply (unplug!).
Caution: Do not spill water on the device which is still energised.
Electric shock hazard!

1.3 Proper use



CAUTION!

The device has been designed and built for commercial use and should be operated only by qualified personnel in kitchen facilities.

The operational safety of the device is assured only in case of proper use, according to the operation manual.

All technical activities like installation and maintenance must be performed by the qualified service personnel only.

The hot display unit is intended only for heating food products and keeping food products hot.



CAUTION!

Any use going beyond the intended purpose and/or any different use of the device is forbidden and is not considered as conventional.

Any claims against the manufacturer or his authorized representative as a consequence of experiencing damages resulting from unconventional use are impossible.

The operator is liable for all damages resulting from inappropriate use.

2. General information

2.1 Liability and Warrantees

All the information and instructions in this manual take into account standard safety regulations, current levels of technical engineering as well as the expertise and experience we have developed over the years.

The instruction manual was translated with all due care and attention. However, we do not accept liability for any translation errors. The German version of this instruction manual is definitive.

If the delivery consists of a special model, the actual scope of delivery may differ from the descriptions and illustrations in this manual. This is also the case for special orders or when the device has been modified in line with new technology.



CAUTION!

Read this manual carefully and thoroughly before any operation of the device, and especially before turning it on!

Manufacturer **is not liable** for any damages or faults caused by:

- violation of advice concerning operation and cleaning;
- use other than designed;
- alterations made by user;
- use of inadequate spare parts.

We reserve the right to make technical changes for purposes of developing and improving the useful properties.

2.2 Copyright protection

The instruction manual including any texts, drawings, images or other illustrations is copyright. No part of this publication may be reproduced, transmitted or used in any form or by any means without permission in writing from the manufacturer. Any person who commits any unauthorized act in relation to this publication shall be liable to claims for damages. All rights reserved.



NOTE!

The contents, texts, drawings, pictures and any other illustrations are copyright and subject to other protection rights. Any person unlawfully using this publication is liable to criminal prosecution.

2.3 Declaration of conformity



The device complies with the current standards and directives of the EU. We certify this in the EC declaration of conformity. If required we will be glad to send you the according declaration of conformity.

3. Transport, packaging and storage

3.1 Delivery check

Please check the delivery upon completeness and transport damage immediately after receipt. In case of visible damage do not accept or accept the delivery with reservation only.

Note the extent of damage on the carrier's bill of delivery. Trigger off the complaint.

Hidden damages should be reclaimed immediately after notice, as claims for damages can only be asserted within the effective period for complaints.

3.2 Packaging

Please do not throw away the covering carton of your device as it might be useful for storage purposes, when moving or, in case of damages, when the device must be sent back to a repair center. The outer and inner packing material should be removed completely from the device before installation.



If you liked to dispose the packing, consider the regulations applicable in your country. Supply re-usable packing materials to the recycling.

Please inspect the device upon completeness. In case any part is missing please contact our customer service center immediately.

3.3 Storage

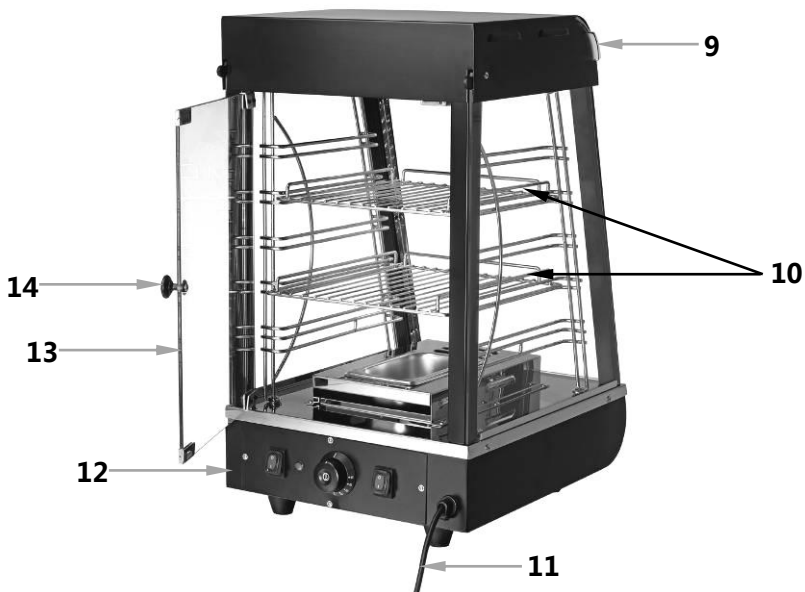
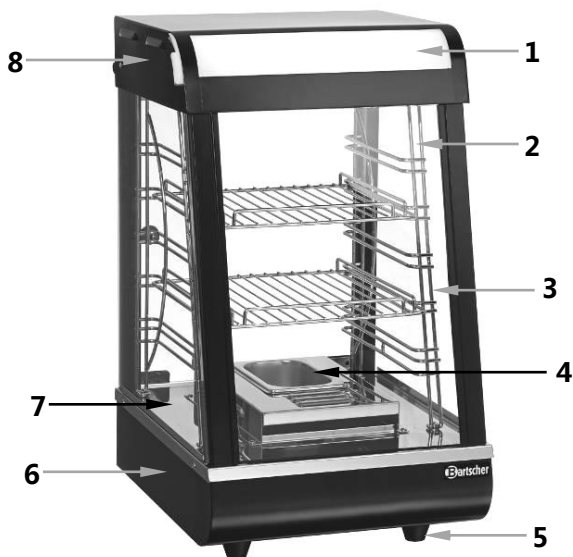
Keep the package closed until installation and under consideration of the outside indicated positioning- and storage markings.

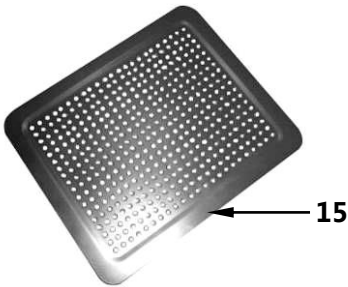
Packages should be stored under consideration of the following:

- do not store outdoors,
- keep it dry and dust-free,
- do not expose it to aggressive media,
- do not expose it to direct sunlight,
- avoid mechanical shocks and vibration,
- in case of longer storage (> 3 months) make sure you check the state of the packaging and the parts regularly, if required refresh or renew.

4. Technical data

4.1 Overview of parts



Equipment**Description of drawings on pages 28, 29**

- | | |
|---------------------------|--|
| 1 Display | 9 Transparent sliding display cover |
| 2 Clipboard guides | 10 Clipboard (x2) |
| 3 Front glass wall | 11 Power cord |
| 4 Water tray | 12 Control panel |
| 5 Legs (x4) | 13 Rear glass door |
| 6 Casing | 14 Door handle |
| 7 Side glass wall | 15 Shelf |
| 8 Upper shield | 16 Water filling container |

4.2 Technical specification

Name	Hot display unit „Deli Compact“
Code-no.:	306057
Material:	Steel plate
Realization:	<ul style="list-style-type: none"> ▪ Heating type: water heated ▪ Type of glass: safety glass ▪ Door type: <ul style="list-style-type: none"> - Leaf door - Position of the door: backside ▪ Water tray for air humidification ▪ Clipboard: <ul style="list-style-type: none"> - Number: 2 - Type: clipboard, chrome-plated - Size clipboard top: W 285 x D 265 mm - Size clipboard bottom: W 285 x D 295 mm ▪ ON/OFF switch ▪ Interior lighting ▪ Indicator lights: <ul style="list-style-type: none"> - ON/OFF (green), switch integrated - Heating-up (orange)
Capacity:	52 litres
Temperature range:	30 °C to 110 °C
Power supply:	1,2 kW / 230 V / 50 Hz
Dimensions:	W 390 x D 475 x H 690 mm
Weight:	25 kg
Including:	<ul style="list-style-type: none"> 1 shelf 1 removable water tray (1/9 GN, 65 mm deep) 1 water filling container

We reserve the right to make technical changes!

5. Installation and operation

5.1 Installation

Positioning

- Unpack the device and remove and dispose of all package materials according to the environment protection regulations.
- Put the device on an even, stable, dry and waterproof surface which is resistant to high temperature.
- **Never** place the device on an inflammable surface.
- **Never** place the device at the edge of a table to avoid tilting or falling.
- **Never** put the device in a moist or wet area.
- Do not place the device near open flame, electric heaters or other heat source.
- Keep a minimum of 20 cm from flammable walls and other objects.
- When locating the device, make sure the power plug is easily accessible to immediately unplug the device, if necessary.
- Before starting operation, remove the protective film from the device. Remove the film slowly in order not to leave the glue residues. Any glue residues may be removed with use of a suitable solvent.



CAUTION!

Never remove the nameplate and warning signs from the device.

Connection



DANGER! Electric shock hazard!

The device can cause injuries due to improper installation!

Before installation and connecting the local power grid specification should be compared with that of the device (see rating plate). Connect the device only in case of compliance!

- The power supply circuit with the socket must be protected by the fuse of at least 16A. Connect the device directly to a single grounded socket. Do not use any power bar or multiple socket.

5.2 Operation

Before first use



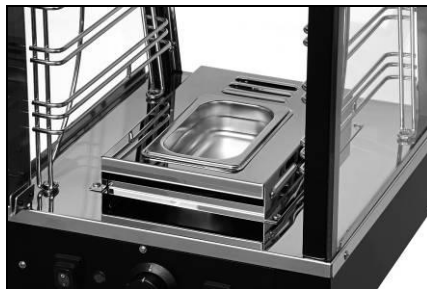
CAUTION!

The device should only be used by properly trained personnel.

- Remove the clipboards, water tray, water can and shelf, then wash everything thoroughly in warm water and a mild cleaning agent. Dry the clean elements thoroughly.
- Wash the inside and outside of the hot display case with a soft, moist cloth and mild cleaning agent. Wipe down with clean water. Dry the device thoroughly with a soft cloth.

Preparing the device

- Insert the clipboards into the guides. Put the water tray in its proper place. The water tray is intended to create humidity inside the hot display case to prevent food products from drying out too quickly.
- Fill the water tray using the included water filling container.



NOTE!

Only pour enough water so that it does not overflow.

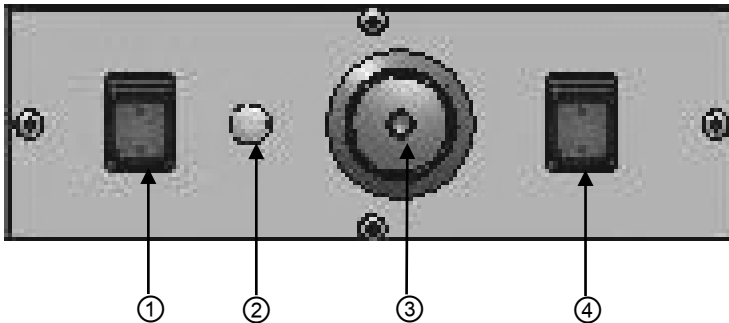


NOTE!

Observe the water level in the tray. If necessary, add water using the water filling container.

Heating food products

- Put food products in proper containers on the clipboards of the hot display case. Close the rear glass door.
- Connect the power cord to a grounded single outlet.



- Turn the device on using the main switch ④. The green control light on the main switch will come on ④.
- As needed, turn on the internal lighting using the switch ①. The green control light on the switch will come on ①.
- Set the temperature dial to ③ 110 °C.
- The orange heating light will come on ②. When the set temperature has been reached the light will go off, and will come on again if the device begins to heat again.
- Check the food product's internal temperature using the thermometer with needle gauge (for pate, roasts, etc.).
- When the internal temperature reaches approx. 65 °C- 70 °C turn the temperature dial ③ to 70 °C.
- Food products will be kept at this temperature.



HOT SURFACE! Risk of burns!

When in use, the device gets very hot. When opening the rear glass door, wear protective gloves or use pot holders.

- Remove food products from the hot display case as needed.
- Disconnect the device using the main switch and unplug it if the device is to remain unused.

Transparent sliding display cover

- At the top of a device there is a lighted display with a transparent sliding cover. This can be used to display the name of the dish inside or other information.



Shelf

- The special shelf allows heating of deep-frozen poached eggs.
- Set the temperature according to instructions on the packaging.



6. Cleaning



WARNING!

Before cleaning, switch the device off by pressing ON/OFF switch, disconnect it from the power supply (unplug!) and leave to cool off.

The device is not suited for direct washing via water jets.

Protect the device from water penetration.



CAUTION!

Never use aggressive cleaning agents, such as scouring powders, alcohol-based substances, or solvents which may damage the surfaces of the device.

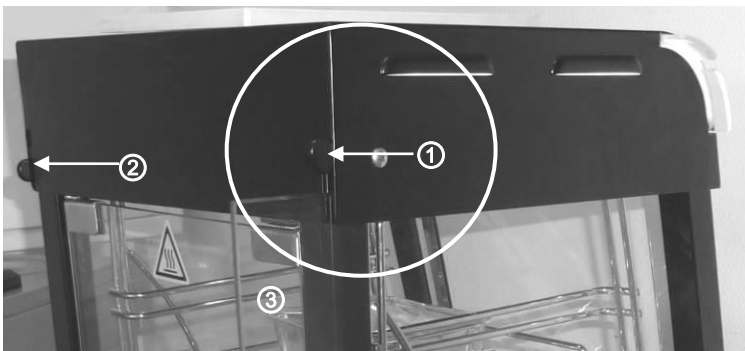
- Regularly wash the device at the end of the day or if it will not be used for longer periods.
- Remove the device's plug from its socket and leave to cool before washing.

Cleaning the equipment

- Remove the clipboards, water tray and shelf, then wash everything thoroughly in warm water and a mild cleaning agent. Rinse with clean water and dry the clean elements thoroughly.
- Wash the water filling container regularly with warm water and a mild cleaning agent.
- The additional equipment is also dishwasher safe.
- Use commercially available products for removing calcium deposits from the water tray.

Washing the side glass walls

- As necessary, remove the side glass walls ③ (**never when the device is in use!**).
Press up on the latches at the right ① and left ② sides. Next, remove the side glass walls ③ and wash thoroughly in warm water with a mild cleaning agent.



Next steps:

- **Front fixed glass wall, clipboard guides, rear glass door and lower clipboard of hot display case**

Wash thoroughly with a soft cloth **and cleaning agent that does not scratch the surface**. Wipe with clean water to remove remains of cleaning agent.



WARNING!

Ensure that water does not get in the place for the water tray.

- After washing the inside of the hot display case, replace the side glass walls ③ in the guides and press down on the latches at the right ① and left sides ②.
- Use only a soft cloth, never use harsh scrapers that may scratch the surface.
- Use a soft, dry cloth to dry and polish the device.

7. Waste disposal

Old devices



The electric devices are marked with this symbol. You must not dispose of electric devices with household waste. When the device may not be longer used each consumer is obliged to dispose of the device at the dedicated local collection point, separately from household waste.



NOTE!

Electric devices should be used and disposed of properly to prevent the impact on the environment.

- Disconnect the device from the power supply and remove the power cord from the device.

Bartscher GmbH
Franz-Kleine-Str. 28
33154 Salzkotten
Germany

phone: +49 5258 971-0
fax: +49 5258 971-120
Service-Hotline: +49 5258 971-197
www.bartscher.com