

Seifenspender Infrarot-Sensor S1
für Wandmontage

D/A/CH

Soap dispenser with infrared
sensor S1 wall mounted

GB/UK

Distributeur de savon à capteur
infrarouge S1 pour montage mural

F/B/CH

Dispenser di sapone liquido con sensore
a infrarossi S1 per montaggio a parete

I/CH

Dispensador de jabón con sensor
infrarrojo S1 para montaje en pared

E

Distribuidor de sabão com sensor de
infravermelhos S1 para montagem em parede

P

Zeepdispenser met infraroodsensor S1
voor wandmontage

NL/B

Sæbedispenser S1 med infrarød
sensor til vægmontage

DK

Настенный дозатор для жидкого
мыла с инфракрасным датчиком S1

RUS

S1 Duvara monteli kızıl ötesi
sensorlu sabunluk

TR

Dozownik do mydła z czujnikiem
podczerwieni S1 do montażu ściennego

PL

Dávkoč mýdla infračervený
senzor S1 pro montáž na stěnu

CZ

Dozator tekućeg sapuna s infracrvenim
senzorom S1 za zidnu montažu

HR

S1 infravörös érzékelős
szappanadagoló fali rögzítésre

H

Αντλία υγρού σαπουνιού με αισθητήρα
υπερύθρων S1 για επίτοχη τοποθέτηση

GR



850009

Technical data

Name:	<ul style="list-style-type: none"> • Soap dispenser with infrared sensor S1 wall mounted
Code-No.:	<ul style="list-style-type: none"> • 850009
Material:	<ul style="list-style-type: none"> • chrome-nickel steel 18/10, brushed
Volume:	<ul style="list-style-type: none"> • 1 litre
Size:	<ul style="list-style-type: none"> • W 138 x D 100 x H 210 mm
Weight:	<ul style="list-style-type: none"> • 1.0 kg
Accessories:	<ul style="list-style-type: none"> • Fastening material, 2 keys: for battery compartment and soap tank

Delivery without filling!

Assembly overview

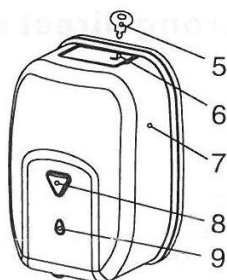
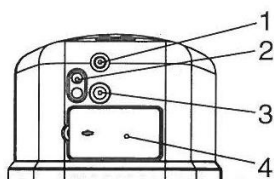


Fig. 1

1. Soap dosage opening
2. Infrared sensor
3. **ON/OFF** switch
4. Battery compartment cover
5. Key for soap tank/battery compartment
6. Soap tank cover
7. Body
8. Fill level indicator window
9. Red LED light

Features

- ideal for use in public washrooms, eg. in restaurants, hotels, airports, etc.;
- dosage by infrared sensor;
- non-cartridge liquid soap dosage system;
- window as fill level indicator;
- battery-operated by 4 (1.5V AA LR6) cells - **not** included!

Installation

- Unpack the device and and remove all the packaging material.
- Attach the soap dispenser close to a wash basin, so that it is within easy reach.

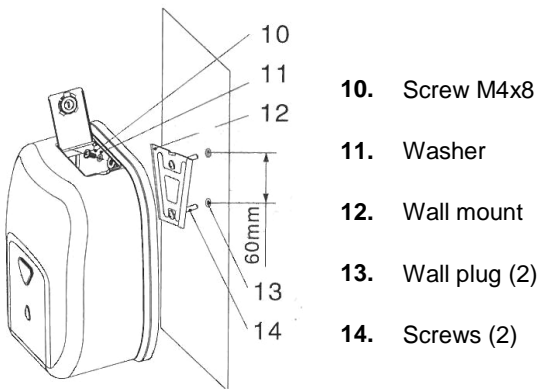
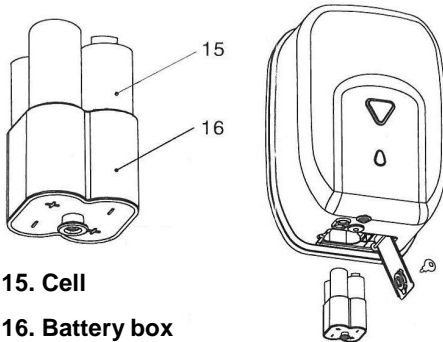


Fig. 2

- Unlock the soap tank cover (6) using the appropriate key (5) and open the soap tank (**Fig. 1**).
- Remove the wall mount (12) from the soap dispenser and mark the drill holes at the desired height on the wall, based on the holes in the wall mount (**Fig. 2**).
- Drill 2 holes in the wall and then insert the wall plugs (13) into the drilled holes. Fasten the wall mount to the wall by means of the screws (14) and then hang the soap dispenser on it. Make sure that the soap dispenser snaps onto the wall mount.
- Tighten the screw (10) inside the tank by hand.

Battery installation



- Unlock the battery compartment cover (4) using the key (5), open it and remove the battery box (16).
- Insert 4 cells (1.5V AA LR6) into the battery box observing the "+" and "-" poles. Put the battery box back to its original position and close the cover of the battery compartment. (Fig. 3)

Fig. 3

Filling with soap and soap release



Fig. 4



Fig. 5

- Pour the desired amount of liquid soap into the soap tank (Fig. 4).
- Release the desired amount of liquid soap while holding hand under the soap dispenser. The infrared sensor (2) located below allows for precise dosing of liquid soap (Fig. 5).
- Replenish liquid soap regularly. You can observe the fill level through the window (8), located on the front of the soap dispenser.

Cleaning

- Wipe the soap dispenser with a soft, damp cloth.
- **Never** use aggressive or abrasive cleaners that may scratch the surface.
- After cleaning use a soft, dry cloth to dry and polish the surface.

Bartscher GmbH
Franz-Kleine-Str. 28
D-33154 Salzkotten
Germany

phone: +49 (0) 5258 971-0
fax: +49 (0) 5258 971-120