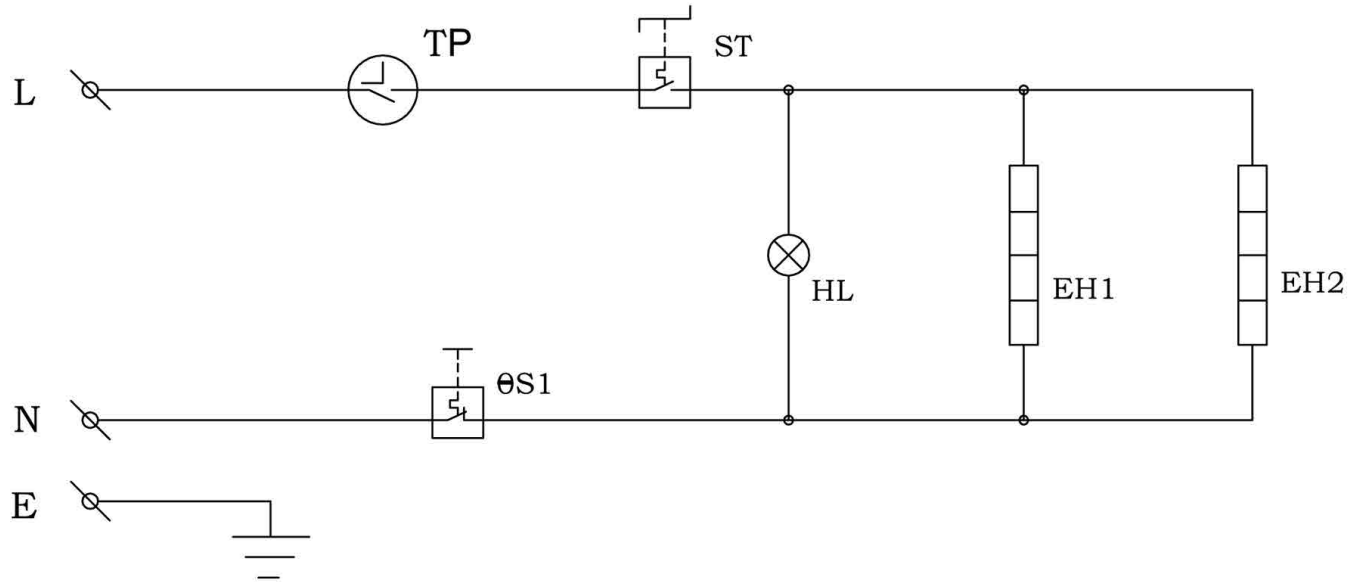


Pizza Oven PO-1B Circuit Diagram

AC/L.N/230V/50Hz/1.5kW/6.5A



- TP ————— Timer
- ST ————— Thermostat
- HL ————— Heating indicator
- EH1, EH2 — Heating element
- θs ————— Temp limiter