

D3000



200043

Bartscher GmbH
Franz-Kleine-Str. 28
D-33154 Salzkotten
Germany

Phone: +49 5258 971-0
Fax: +49 5258 971-120
Technical Support Hotline: +49 5258 971-197
www.bartscher.com



Version: 1.0

Date of preparation: 2023-05-09

Original instruction manual

1	Safety	2
1.1	Explanation of Signal Words	2
1.2	Safety instructions.....	3
1.3	Intended Use	6
1.4	Unintended Use	6
2	General information	7
2.1	Liability and Warranty	7
2.2	Copyright Protection	7
2.3	Declaration of Conformity	7
3	Transport, Packaging and Storage	8
3.1	Delivery Check.....	8
3.2	Packaging	8
3.3	Storage	8
4	Technical Data.....	9
4.1	Technical Specifications	9
4.2	List of Components of the Appliance	10
4.3	Functions of the Appliance.....	11
5	Installation and operation	12
5.1	Installation.....	12
5.2	Operation	13
6	Cleaning and Descaling.....	19
6.1	Safety Instructions for Cleaning	19
6.2	Cleaning.....	19
6.3	Descaling.....	20
7	Possible Malfunctions.....	21
8	Disposal.....	22



Read this instruction manual before using and keep it available at all times!

This instruction manual contains information about installation, operation and maintenance of the appliance and constitutes an important source of information and reference guide. The knowledge of all operational and safety instructions included in this manual is a prerequisite for safe and proper handling of the appliance. Additionally, accident prevention, occupational health and safety, and legal regulations in force in the area the appliance is used apply.

Before you start using the appliance, especially before turning it on, read this instruction manual in order to avoid personal injuries and property damages. Improper use may cause damage.

This instruction manual forms an integral part of the product and must be stored in an immediate vicinity of the appliance and be available at all times. The instruction manual should be transferred together with the appliance.

1 Safety

This appliance has been manufactured in accordance with technical standards currently in force. However, the appliance may be a source of hazards if used improperly or contrary to its intended purpose. All persons using the appliance must consider information included in this instruction manual and observe safety instructions.

1.1 Explanation of Signal Words

Important safety instructions and warning information are indicated in this instruction manual with appropriate signal words. You must strictly follow the instructions, to prevent accidents, personal injuries and property damages.



DANGER!

The signal word **DANGER** warns against hazards that lead to severe injuries or death if the hazards are not avoided.



WARNING!

The signal word **WARNING** warns against hazards that may lead to moderate or severe injuries or death if the hazards are not avoided.



CAUTION!

The signal word **CAUTION** warns against hazards that may lead to light or moderate injuries if the hazards are not avoided.

IMPORTANT!

The signal word **IMPORTANT** indicates possible property damages, which may occur if safety instructions are not observed.

NOTE!

The symbol **NOTE** indicates subsequent information and guidelines for the user on usage of the appliance.

1.2 Safety instructions

Electrical Current

- Too high a mains voltage or incorrect installation may cause electric shock.
- The appliance may be connected only if data on the rating plate correspond with the mains voltage.
- To avoid short-circuit, the appliance should be kept dry.
- If there are malfunctions during operation, disconnect the appliance from the power supply.
- Do not touch the appliance's plug with wet hands.
- Never take hold of the appliance if it has fallen into water. Immediately disconnect the appliance from the power supply.
- Any repairs or housing opening may be carried out by professionals and relevant workshops only.
- Do not transport the appliance, holding it by the power cord.
- Do not allow the power cord to come into contact with heat sources or sharp edges.
- Do not bend, pinch nor knot the power cord.

- Always completely unwind the power cord.
- Never place the appliance or other objects on the power cord.
- Always take hold of the plug to disconnect the appliance from the power supply.
- Check the power cord regularly for damage. Do not use the appliance if the power cord is damaged. If this cable is damaged, it must be replaced by customer service or a qualified electrician in order to avoid dangers.

Flammable Materials

- Never subject the appliance to contact with high temperature sources, e.g.: oven, furnace, open flame, heat generating devices, etc.
- To avoid fire hazard, clean the appliance regularly.
- Do not cover the appliance with, e.g., aluminium foil or cloths.
- Use the appliance only with materials designated to this end and with correct temperature settings. Materials, groceries and left-overs remaining in the appliance may catch fire.
- Never use the appliance near flammable or inflammable materials, e.g.: petrol, spirit, alcohol, etc. High temperature triggers evaporation of these materials, and, as a result of contact with sources of ignition, an explosion may occur.
- In case of fire, disconnect the appliance from the power supply before attempting suitable fire-extinguishing actions.
- Never attempt to extinguish fire with water if the appliance is connected to the power supply. Following extinction of fire, ensure sufficient fresh air inflow.

EN

Hot Surfaces

- Surfaces of the appliance become hot during operation. Burning hazard! High temperature remains for some time after switching the appliance off.
- Do not touch any hot surfaces of the appliance. Use the provided handling elements and holders.
- You may transport and clean the appliance after it cools down entirely.
- It is prohibited to sprinkle hot surfaces with cold water or flammable liquids.

Health hazard due to germs!

- The tank must be regularly emptied and disinfected to eliminate the possibility of accumulation of harmful and dangerous germs.

Supervised Usage only

- Only supervised appliance may be used.

Safety

- Always remain in an immediate vicinity of the appliance.

Operating personnel

- This appliance is not intended to be used by persons (including children) with limited physical, sensory or mental capabilities, nor by persons with limited experience and/or limited knowledge.
- Children should be supervised to ensure that they are not playing with or switching the appliance on.

Improper use

- Unintended or prohibited use may cause damage to the appliance.
- The appliance may only be used in a technically flawless condition, providing for safe use.
- The appliance may only be used with connections in a technically flawless condition, providing for safe use.
- The appliance may only be used clean.
- Use only original spare parts. Never attempt to repair the appliance on your own.
- Do not attempt to modify nor alter the appliance.

1.3 Intended Use

As described below, every use of the appliance for a purpose differing and/or diverging from its intended standard use, is prohibited and considered to be an unintended use.

The following is an intended use:

- Preparing hot water for coffee, tea or baby food.

This appliance is intended for use in households and similar places, e.g.:

- in employee canteens in shops, offices, and similar areas;
- on farms;
- by customers in hotels, motels, and other typical accommodation establishments;
- in lodging-houses.

1.4 Unintended Use

An unintended use may lead to personal injuries or property damages caused by hazardous voltage, fire or high temperature. The appliance may only be used to perform tasks described in this instruction manual.

The following is an unintended use:

- Heating or boiling of liquids containing sugar, sweeteners, lyes, or alcohols.

2 General information

2.1 Liability and Warranty

All information and instructions in this instruction manual account for legal regulations in force, current level of technical engineering knowledge as well as our expertise and experience, developed over the years. If special models or additional options are ordered, or state-of-the-art technical solutions were implemented, the actual scope of delivery of the appliance may, in some circumstances, differ from descriptions and numerous drawings in this instruction manual.

The manufacturer is not liable for any damages nor faults stemming from:

- failure to observe instructions,
- unintended use,
- technical alterations introduced by the user,
- usage of unapproved spare parts.

We reserve the right to introduce technical modifications to the product, intended for improvement of the appliance and its performance.

2.2 Copyright Protection

This instruction manual, and texts, drawings and images included in it, as well as its other components are copyright protected. It is prohibited to reproduce this instruction manual (including its excerpts), in any form and by any means, and to use and/or transfer its content to third parties without manufacturer's written permission. Violation of the above results in obligation to pay compensation. We reserve the right to claim further damages.

EN

2.3 Declaration of Conformity

The appliance meets the currently applicable standards and guidelines of the European Union. We confirm the above in the EC Declaration of Conformity. We may provide relevant Declaration of Conformity upon request.

3 Transport, Packaging and Storage

3.1 Delivery Check

Immediately upon reception, check the delivery for completeness and possible shipping damage. In the case of visible transport damage refuse to accept the appliance or accept it conditionally. Mark and note the scope of damage in shipping documents/consignment list of the shipping company and lodge a complaint. Concealed damage must be reported immediately upon its discovery, as compensation claims may only be filed within applicable time limits.

If you find that parts or accessories missing, please contact our Customer Service Department.

3.2 Packaging

Do not dispose of the appliance cardboard box. It may be used to store the appliance when relocating or when shipping the appliance to our service point in the case of any damages.

The packaging and its elements are made of recyclable materials. Particularly, these are: plastic films and bags, cardboard box.

When disposing of the packaging, observe applicable domestic regulations. Recyclable packaging materials should be recycled.

3.3 Storage

Leave the packaging closed until installation of the appliance; observe external indications concerning method of placing and storage. Store the packaging in the following conditions only:

- in closed rooms;
- in dry and dust-free surrounding;
- away from aggressive agents;
- in a location protected against sunlight;
- in a location protected against mechanical shocks.

In the case of extended storage (over three months), make sure you check the condition of the packaging and the parts regularly. If needed, replace the packaging with a new one.

4 Technical Data

4.1 Technical Specifications

Name:	Water heater D3000
Art. No.:	200043
Material:	plastic, stainless steel
Tank volume, in litres:	3
Temperature range, min.–max., in °C:	40 - 100
Temperature control, levels:	6
Quick selection keys, quantity:	2
Connected load:	2,2 - 2,6 kW 220-240 V 50/60 Hz
Dimensions (W x D x H), in mm:	143 x 280 x 310
Weight, in kg:	2,06

We reserve the right to implement technical modifications.

EN

Version / Characteristics

- Colour: black | stainless steel
- Control: touch operation
- Digital display
- Safety thermostat
- Fill level indicator: on the water tank
- Temperature control:
 - 6 stages: 45 °C, 55 °C, 65 °C, 75 °C, 85 °C, 100 °C (the indication of '000' shows current water temperature in the tank without heating-up)
 - plus 2 quick selection keys (baby food: 40 °C, coffee/tea: 98 °C)
- Features:
 - removable water tank
 - removable drip tray
 - water quantity can be set individually in 100 ml increments up to max. 400 ml; continuous water flow function available

4.2 List of Components of the Appliance



Rear view

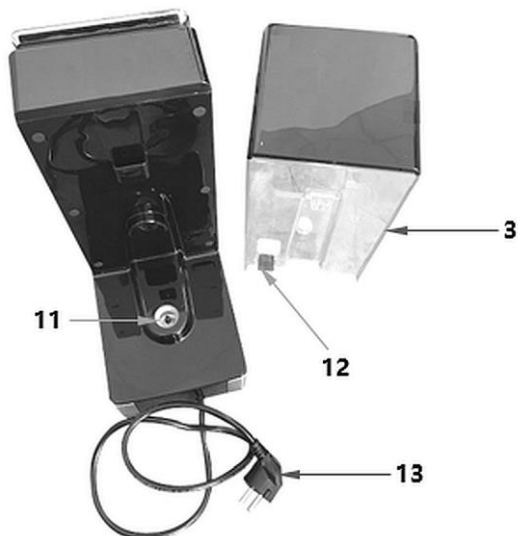


Fig. 1

Key to Fig. 1

- | | |
|---------------------------------|---------------------------|
| 1. Water tank lid | 2. Water tank MAX marking |
| 3. Water tank | 4. Water tank MIN marking |
| 5. Drip grate | 6. Drip tray |
| 7. Rubber feet (4 pcs) | 8. Housing |
| 9. Drain tube | 10. Control panel |
| 11. Pump–water tank contact pin | 12. Water level sensor |
| 13. Power cord with mains plug | |

4.3 Functions of the Appliance

The digital water heater allows you to set the desired amount of water up to 400 ml and the water temperature in the range of 40 °C-100 °C at the push of a key.

5 Installation and operation

5.1 Installation

Positioning

- Unpack the appliance, remove all external and internal packaging elements and shipment safeguards.



CAUTION!

Choking hazard!

Prevent children from accessing package materials, for instance: plastic bags and EPS.

- If the appliance is covered with a protective film, remove it. Remove the film slowly, so no glue residues are left. Remove any glue residues with the use of a suitable solvent.
- Be careful not to damage the rating plate and warning labels fixed on the appliance.
- **Never** place the appliance in humid or wet environment.
- Place the appliance in a way making the connections easily accessible, so that they may be quickly disconnected if such a need arises.
- The appliance should be placed on surfaces that are:
 - even, with sufficient bearing capacity, resistant to water, dry and resistant to high temperatures;
 - sufficiently large, and thus enabling usage of the appliance with no problems;
 - easily accessible;
 - well ventilated.
- Maintain sufficient clearance from table edges. The appliance might turn over and fall down.
- Leave at least 10 cm clearance from flammable walls and items.

Power supply connection

- Verify if technical data of the appliance (see rating plate) correspond with the local electric power grid specification.
- Connect the appliance to a single, properly grounded mains socket with protective contact. Do not connect the appliance to a multi-socket.
- The power cord should be laid in a way preventing anyone from threading on it or tripping against it.

5.2 Operation

Warning Indications



WARNING

The drain tube and flowing water become very hot during operation and can lead to burns and scalding of fingers or hands.

Never touch the drain tube with your fingers or hands during operation.

When the appliance is running, never hold your fingers or hands under the drain tube to check the temperature of water.

EN

ATTENTION!

Using the appliance without water can damage the heating element.

Do not use the appliance without water. Always fill the water tank with water in a timely manner.

Before Use

1. Before use, clean the appliance observing instructions in section **6.2 'Cleaning'**.
2. Dry all cleaned elements and surfaces thoroughly.
3. Fix the drip tray on the appliance base and insert the drip grate.

WARNING!

It is important that only fresh potable water is poured into the water tank. Do not fill the water tank with any non-potable liquids, like acids, lyes, oils, nitrates, etc.

NOTE!

To avoid limescale build-up, we recommend using filtered water.

4. Pour required amount of fresh water into the water tank (only up to 'MAX' mark on the water tank).

ATTENTION!

The filling level must not be below the 'MIN' mark on the water tank.

For the purpose of filling the water tank, it can be removed from the base of the appliance.

5. Place the lid on the water tank.



Fig. 2

Appliance Start-up

1. Plug the appliance into a suitable single socket.

On the digital display, all the keys light up briefly. Then, '0' appears and the lock key lights up.

2. Use the corresponding keys on the control panel to set the desired temperature and water quantity. Observe indications in sections **'Operating Elements / Displayed Messages / Settings'**.

Control Elements / Displayed Messages / Settings



Fig. 3

1. Temperature indicator

The set temperature appears on the display.

2. Coffee/Tea quick selection key

Pressing this key will start water preparation at the default temperature of 98°C. To serve, press the Start/Stop key.

3. Dispensed water amount indicator

The selected amount of water appears on the display.

4. Start/Stop key

This key starts or stops the appliance operation.

5. Water amount setting key

Use this key to set the desired amount of water to be dispensed. The following settings are available: 100 ml, 200 ml, 300 ml, 400 ml, 000 (continuous water flow).

6. Temperature setting key

By pressing this key, the desired temperature can be set. The following settings are available: 45°C, 55°C, 65°C, 75°C, 85°C and 100°C.

The indication of '000' shows current water temperature in the tank without heating-up.

7. Lock key

By pressing the lock key for 3–5 seconds, the operating panel keys can be locked. After 10–15 seconds, the keys are automatically locked again when not in use.

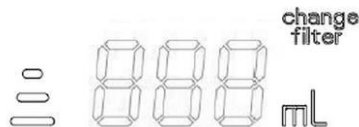
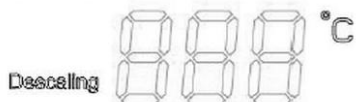
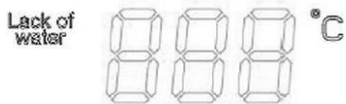
8. Baby food quick selection key

Pour the desired amount of powdered milk into the bottle or cup. Pressing this key will display the default temperature setting of 40 °C. Press the Start/Stop key and the appliance will start preparing water immediately.

CAUTION!

Always check the temperature of baby food!

Other messages



No water

This message appears in the event of a water shortage. In addition, 'E7' error code appears.

Descaling

This message appears if the water pipes, the water tank or the drain tube are calcified.

Filter change

The appliance can be used with a filter, and when the filter has been in use for about 2 months, the message 'Filter change' appears to remind the user that a new filter needs to be fitted.

Preparing and Dispensing Hot Water

1. Use hot water to prepare required beverages (tea, coffee, instant coffee, bouillon, baby food, etc.).

Note: When preparing tea one must remember that brewing different types of tea requires various water temperatures. Follow the instructions on packages.



Fig. 4

NOTE!

The appliance stores the last setting and the time until the desired water temperature is reached if it is not unplugged.

If the plug is removed from the socket, this setting is lost.

Water Tank Filling

When the water in the water tank has been used up to the MIN mark, the appliance stops preparing hot water, an audible signal is heard and the messages '**Lack of water**' and '**E7**' appear. These messages mean that the water tank must be refilled before hot water preparation can be restarted.

1. Before refilling switch the appliance off.
2. Remove the water tank lid.
3. Fill the water tank with fresh drinking water (only up to the MAX mark).
4. Replace the lid on the water tank.

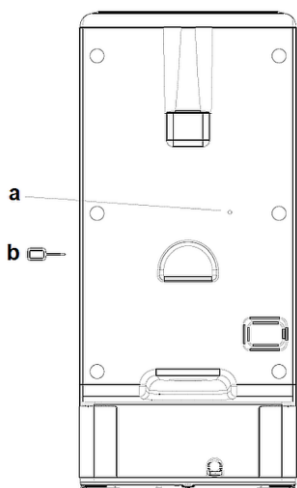
2. To dispense hot water, place a suitable container (glass, cup or mug) under the drain tube.
3. Select the desired temperature and amount of water, observing indications in section '**Control Elements / Displayed Messages / Settings**'.
4. Press the Start/Stop key to start preparing the water.
After approx. 5–10 seconds (depending on the temperature setting), the selected amount of water will flow from the drain tube.
5. If '000' was selected when setting the water amount, press the Start/Stop key as soon as the hot water is no longer needed.
6. To dispense hot water again, repeat the process described above.

Drip Tray Emptying

1. When the drip tray is full, empty it by holding the appliance with one hand while lifting the drip tray with the other hand and detaching it from the hooks on the base.
2. Remove the drip grate.
3. Empty the drip tray.
4. Using sufficient force, place the drip tray back in its original place.
5. Replace the drip grid.

Safety Thermostat

The appliance has a safety thermostat which, in the event of overheating or a fault, cuts off the power to the appliance and prevents the appliance from operating. The heating function can be restored manually using the Reset key. It is located at the back of the appliance.



In this case, proceed as described below:

- remove the water tank,
- press the reset key by inserting the supplied reset key (b) into the hole (a).

You may start using the appliance as usual.

Fig. 5

Switching the Appliance OFF

1. After use, disconnect the appliance from the mains power supply (pull the plug out).

6 Cleaning and Descaling

6.1 Safety Instructions for Cleaning

- Before cleaning, disconnect the appliance from the power supply.
- Leave the appliance to cool down completely.
- Make sure water does not enter the appliance. Do not immerse the appliance in water or other liquids during cleaning. Do not clean the appliance with a pressurized water jet.
- Do not use any sharp or pointed, nor metal implements (knife, fork, etc.). Sharp or pointed implements may damage the appliance, and when in contact with live parts, they may cause electric shock.
- For cleaning, do not use any scouring agents that contain solvents nor corrosive cleaning agents. They may damage the surface.

6.2 Cleaning

1. Clean the appliance regularly after end of each working day, or more frequently if needed.
2. Remove the water tank with the lid from the base.
3. Remove the drip tray with drip grate from the appliance and empty them.
4. Clean the water tank, lid, drip tray with drip grid under running warm water with a mild cleaning agent and a sponge or suitable dish-washing brush.
5. Rinse cleaned elements in fresh water.
6. Wipe the water dispenser housing and base with a soft, damp cloth.
7. After cleaning, use a soft, lint-free cloth to dry thoroughly the appliance and the removed parts.
8. After cleaning, drain the accumulated water through the drain plug under the dispenser:
 - open the drain plug cover (A, Fig. below),
 - pull out the drain plug,
 - drain water,
 - then place the drain plug on the drain tube,
 - fix the cover in the bottom of the appliance.

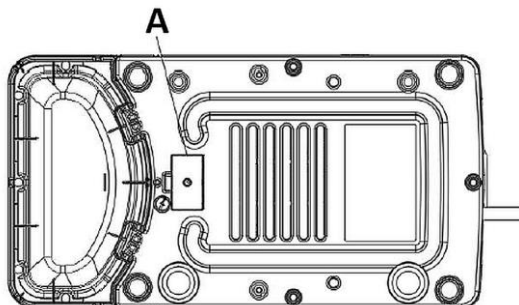


Fig. 6

9. Reinstall the appliance and attach all the components removed for cleaning (drip tray with drip grate, water tank, lid) to the appliance.

6.3 Descaling

Inappropriate water may lead to limescale deposits building up. Limescale deposits result in longer heating time and might cause damage to the appliance.

NOTE!

To reduce limescale deposits, it is recommended to use filtered water!

ATTENTION!

Descalc the appliance regularly!

To maintain the efficiency of the appliance, descale it as soon as the 'Descaling' indicator lights up. Carry out the descaling in the order shown below:

- pour some citric acid or vinegar in the water tank, or use a commercially available descaling agent. Follow the descaling agent manufacturer's instructions;
- pour water into the water tank up to the MAX mark;
- set the temperature to 100°C and the amount of water to '000';
- press the Start/Stop key to start preparing hot water;
- after descaling, drain water into a suitable container;
- repeat the process 2 times;
- pour fresh water and heat the appliance a few more times to remove the descaling agent from pipes;
- drain water into a suitable container;

Possible Malfunctions

- clean the water tank after descaling;
- fill the water tank again with fresh water;
- prepare selected beverages with hot water at an appropriate temperature and water amount settings.

7 Possible Malfunctions

The table below contains descriptions of possible causes and solutions to malfunctions or errors during operation of the appliance. When malfunction cannot be removed, contact the technical service.


In such a case, provide article number, model name and serial number. These data may be found in the rating plate.

Problem	Cause	Solution
Appliance does not work	Plug is not connected to the power supply	Connect the plug to a suitable power outlet
	No power supply	Restore the electric power supply
	No water or too little water in the water tank	Check water level, pour water into the water tank (at least 0.2 litres)
	Digital display malfunction	Contact the service company
	Safety thermostat tripped	Press the reset key (section ' Safety Thermostat ')

Problem	Cause	Solution
Appliance does not work	Water outlet in the water tank is clogged	Perform descaling Press the water amount setting key for 3 seconds
	The water level sensor in the water tank is loose	Reinstall water level sensor or contact the service company
Appliance does not work efficiently	The appliance needs to be cleaned and descaled	Press the water amount setting key for 3 seconds to clean and descale the appliance
	The drain tube is calcified	The drain tube needs to be descaled
Water does not heat up	Temporary power failure	Restore the electric power supply
	Drain tube does not work	Contact the service company
	Safety thermostat tripped	Press the reset key (section ' Safety Thermostat')

8 Disposal

Electrical Appliance

	<p>Electric appliances are marked with this symbol. Electrical appliances must be disposed of and recycled in a correct and environmentally friendly manner. You must not dispose of electric appliances with household waste. Disconnect the appliance from the power supply and remove power cord from the appliance.</p>
--	---

Electrical appliances should be returned to designated collection points.