






INSTRUCTIONS FOR INSTALLATION AND USE



GAS GRIDDLE PLATES

FTH - 30G, GL / A3700331
FTR - 30G, GL
FTH - 60G, GL / A3700341
FTHR - 60G, GL
FTH - 90G, GL
FTHC - 30G, GL
FTRC - 30G, GL
FTHC - 60G, GL
FTHRC - 60G, GL
FTHC - 90G, GL

	CONTENT	3
	DECLARATION OF A STANDARDS CONFORMITY	8
	INSTRUCTION FOR USE	9
	CLEANING AND MAINTENANCE	10
	DIE NORMENÜBEREINSTIMMUNGSDEKLARATION	15
	GEBRAUCHSANWEISUNG	13
	REINIGUNG UND WARTUNG	17
	DÉCLARATION DE CONFORMITÉ	21
	MODE D'EMPLOI	22
	ENTRETIEN	

DECLARATION OF A STANDARDS CONFORMITY

The producer confirms that the devices agree with 2009/142/ES standards, rule nr. 22/1997 sb., nr. 258/2000 sb.. nr. 258/200 sb. and with relevant government orders. Instalation must be done with respect to valid standards. Attention, the producer refuses any responsibility in case of direct or indirect damages which are caused due to wrong instalation, incorrect intervention or modification, insufficient maintenance, incorrect use and also possibly caused by other reasons presented by items in sale conditions. This appliance is set only for skilled use and must be operated by qualified persons only. Parts set and secured by the producer or accredited person must not be rebuilt by user.

TECHNICAL DATA

Label with technical data is placed on the back side of the device. Study the electrical diagram of connection and all following information before instalation.

Model	Burner	Power (kW)	Dimensions of plate (cm)	Dimensions (cm)
FTH - 30 GL	1x 4,0 kW	4,0	32 x 48	33 x 60 x 29 v
FTR - 30 GL	1x 4,0 kW	4,0	32 x 48	33 x 60 x 29 v
FTH - 60 GL	2x 4,0 kW	8,0	65 x 48	66 x 60 x 29 v
FTHR - 60 GL	2x 4,0 kW	8,0	65 x 48	66 x 60 x 29 v

FTH-C - 30 GL	1x 4,0 kW	4,0	32 x 48	33 x 60 x 29 v
FTR-C - 30 GL	1x 4,0 kW	4,0	32 x 48	33 x 60 x 29 v
FTH-C - 60 GL	2x 4,0 kW	8,0	65 x 48	66 x 60 x 29 v
FTHR-C - 60 GL	2x 4,0 kW	8,0	65 x 48	66 x 60 x 29 v
FTH - 90 GL	3x 4,0 kW	12,0	97 x 48	99 x 60 x 29 v
FTH - C - 90 GL	3x 4,0 kW	12,0	97 x 48	99 x 60 x 29 v

Model	Burner	Power (kW)	Dimensions of plate (cm)	Dimensions (cm)
FTH - 30 G	1x 4,0 kW	4,0	32 x 48	33 x 60 x 22 v
FTR - 30 G	1x 4,0 kW	4,0	32 x 48	33 x 60 x 22 v
FTH - 60 G	2x 4,0 kW	8,0	65 x 48	66 x 60 x 22 v
FTHR - 60 G	2x 4,0 kW	8,0	65 x 48	66 x 60 x 22 v

FTH-C - 30 G	1x 4,0 kW	4,0	32 x 48	33 x 60 x 22 v
FTR-C - 30 G	1x 4,0 kW	4,0	32 x 48	33 x 60 x 22 v
FTH-C - 60 G	2x 4,0 kW	8,0	65 x 48	66 x 60 x 22 v
FTHR-C - 60 G	2x 4,0 kW	8,0	65 x 48	66 x 60 x 22 v
FTH - 90 G	3x 4,0 kW	12,0	97 x 48	99 x 60 x 22 v
FTH - C - 90 G	3x 4,0 kW	12,0	97 x 48	99 x 60 x 22 v

BURNERS

MODEL	NOZZLE	Burner	12,8 kWh/kg G 30/G 31 PROPAN / BUTAN 28 - 30 mbar	12,8 kWh/kg G 31 PROPAN 37 mbar	12,8 kWh/kg G 30/G 31 PROPAN / BUTAN 50 mbar	9,45 kWh/m ³ G 20 Natural GAS 20 mbar	FEEDING TUBE GAS
FT**-30	NOZZLE OF BURNER 1/100 MM	4,0 kW	93	93	77	135	G 1/2"
	CONSUPTION	4,0 kW	0,546 kg/h	0,546 kg/h	0,546 kg/h	0,74 m ³ /h	---
FT**-60	NOZZLE OF BURNER 1/100 MM	2x 4,0 kW	93	93	77	135	G 1/2"
	CONSUPTION	2x 4,0 kW	1,092 kg/h	1,092 kg/h	1,092 kg/h	1,148 m ³ /h	---
FT**-90	NOZZLE OF BURNER 1/100 MM	3x 4,0 kW	93	93	77	135	G 1/2"
	CONSUPTION	3x 4,0 kW	1,638 kg/h	1,638 kg/h	1,638 kg/h	2,22 m ³ /h	---

PACKING AND DEVICE CHECK

The device leaves our stocks properly packed with appropriate symbols and labels. There are also appropriate instructions for use. In case the packing shows bad handling or damage, it must be reclaimed at transporter immediately by writing and signing of a damage protocol.

Important notice:

- this instructing guide must be read properly and carefully because it contains important information about safety elements, installation, use
- these recommendations refer to this product
- this product corresponds with valid standards
- this guide must be properly deposited for future use
- keep the children away from manipulation with the product
- when selling or moving the product to another place it is necessary top make yourself sure that the staff or the professional service has got acquainted with control and installation instructions from enclosed guide
- only authorised person can operate the product
- it can not be switched on without supervision
- we recommend to have the product checked by professional service min. once a year
- only original spare parts can be used for repairs
- the product can not be cleaned by the water jet or pressure shower
- by damage or break down disconnect all the feeders (water, gas, electricity) and call professional service
- producer refuses any responsibility in case of damages caused by wrong installation, by disobserving of above mentioned recommendations or by other use etc.

PLACEMENT

The device must be instalated in well ventilated room what is necessary for regulation of the function of the device (technician must go by valid standard (ČSN....). If the device is situated close to the wall or if it is in contact with the furniture walls, these walls must resist the temperatures ranging to 60°C. Instalation, setting, putting into operation must be done by qualified person who is competent for this and according to the valid standards.

Wrap up the device and check whether it was not damaged during transport. Settle the device on horizontal surface (max imbalance 2°).Settle the device under the fumehood to eliminate water steam and bad smell. The device can be instalated separately or in a set with devices of our production. Min. distance 10 cm from other subjects must be kept.It is also necessary to prevent our product from contact with combustible materials. In this case you must make corresponding changes to secure heat izolation of combustible parts. Safety measures from the standpoint of the fire protection according to ČSN 061008čl. 21:

DEVICE INSTALATION

Instalation, setting, rebuilding for another gas type, putting into operation must be done by qualified person who is competent for this and according to the valid standards. The device can be instalated in good ventilated room. When it is possible place the device under the fumehood to suck off the products of combustion. Air needy to the burning is 2m³/h/kW of the performance of the instaled device.

The device can be instalated separately or in a set with devices of our production. Min. distance 10 cm from other subjects must be kept. It is also necessary to prevent our product from contact with combustible materials. In this case you must make corresponding changes to secure heat izolation of combustible parts (for example: place between the device and combustible material azbestos plate).

SAFETY MEASURES FROM THE STANDPOINT OF THE FIRE PROTECTION ACCORDING TO EN 061008 ČL. 21

- only adults can operate the device
- device must be safely used in common surroundings according to EN 332000-4-482; EN 332000-4-42
- device must be placed so as to stand or hang on the noncombustible surface. No subjects from combustible materials can be placed directly on the device or in distance which is shorter than safety distance (the shortest distance is 10 cm).
- safety distances from various materials of different degree of combustion and information about the degree of comb. of common building materials - see chart:

Chart:

Combustion degree of building materials classified according to the combustion degree of materials and products (EN 730823)

A noncombustible	granit, sandstone, concretes, bricks, ceramic wallfacing tiles, plaster
B uneasily combustible	akumine, heraklite, lihnos, itavere
C1 hardly combustible	leafy wood, plywood, sirkoklit, rare paper formica
C2 middle combustible	fibreboards, solodure, cork boards, rubber, floor-coverings
C3 easily combustible	wood-fibreboards, polystyrene, polyurethane, PVC

Devices must be instalated in a safe way. When instaling you must respect corresponding project, safety and hygienic orders according to:

- EN 061008 fire protection of local devices and sources of heat
- EN 332000 surrounding for electric devices

PIPE FOR GAS CONNECTION

It must first determine if the appliance is made for the same type of gas that will be used and thus conforms to the indications on the label the type of gas to be used.

The conversion of gas pan to another type of gas you need to check if it corresponds to the type of gas bearing, which is recommended in this guide.

Connecting the appliance to the gas distribution must be towable to a steel or copper tube complying with applicable national requirements. This must be controlled on regular basis and changed if needed. Every appliance must be equipped with shut-off valve and quick shut-off valve. Quick shut-off valve must be freely accessible and within reach of the device. After installation, is necessary to check whether there is a gas leak. To find a gas leak you can use soapy water or spray for gas leak detection.

Do not use corrosive substances!! All our appliances are carefully controlled. Gas type, pressure and of the categories listed named on the technical information plate.

Liquid gas connection:

Pressure for liquid gas connection must be 28 or 30 mbar for propane/butane and 37 mbar for propane. It is necessary to check the technical label ,gauge the pressure and check the parameters of the nozzle is installed with the required parameters of the nozzle according to the manufacturer's. If the pressure is lower than 25mbar or higher than 37 mbar, THE APPLIANCE SHALL NOT TO BE CONNECTED.

Gas Connection:

Pressure for methane connection must be 18 or 20 mbar. It is necessary to check the technical label ,gauge the pressure and check the parameters of the nozzle is installed with the required parameters of the nozzle according to the manufacturer's. If the gas pressure is lower than 15mbar or higher than 22,5 mbar, THE APPLIANCE SHALL NOT TO BE CONNECTED.

Instructions for sucking off the gas products of combustion

Type A devices (see the label with characteristics). Appliance of finish A, that is the appliance which is not made for being connected with the chimney or other device for sucking off the products of combustion out of the space where the appliance is situated. These appliances must be situated in the room with sufficient ventilation according to the ČSN 12 7010:1986 and ČSN 1207040:1986. It is necessary to prevent the accumulation of the harmful matters in big concentration (secure the requirement of hygienic standard for working surrounding sv. 39/78 guideline 46).

CHECK THE GAS TYPE THE DEVICE IS ADJUSTED FOR

Check whether the device is set for the gas type you use. The gas type is indicated on the label of each device.

Process of rebuilding the device for another gas type

The device is set and checked for liquefied gas (see the label). Rebuilding for another gas type must be done by qualified person. Nozzles are included in the packet with instructions for use.

Exchange of the main burner's nozzle: picture D

Screw up and remove the bottom cover (21), screw up the nozzle (23a) and screw in the new one for required gas type - see technical chart. You need not to regulate air feeder.

Important:

After having rebuilt the gas type, change the data on the label.

How to check the operation of the device:

- check the gas leaks
- check the ignition and flame of the main burner
- check the ignition and flame of the main burner for min. performance (sporo)
- check whether the flame of the burner licks the thermoelement and whether it is blue
- we recommend to the user when using the device to proceed according to the instructions for use

Regulation of the flame by the lower performance (sporo):

Adjust the low performance (sporo) and then regulate the flame with screw which is situated in the body of the tap next to the tap shaft.

Process of regulation:

- remove the regulation tap knob (pull to yourself)
- there is slot for regulation next to the tap shaft
- regulate the flame with the small flat screwdriver

Maintenance:

We recommend you to have the device checked once a year by professional service. Only qualified or competent persons can do interventions in the product.

It may be necessary to exchange some parts during the useful life of the device:

piezzo electrode, sensor of the thermofuse

Exchange of the piezzo electrode or thermofuse sensor: picture D

Screw up and remove the bottom cover (17), screw up the holder of the electrode and the sensor (26), disconnect and remove the electrode (27) or sensor (23). The fitting up of new part must be done in the contrary.

INSTRUCTION FOR USE

Attention!

When the hot-plate smokes after the first switching it on it is necessary to leave the device on at least for an hour until the smoke disappears.

• Ignition of the main burner and regulation of the temperature: pictures A,B

Turn the regulation knob (2) into position „ignition of the main burner“ and then press it down and hold it. Press down the piezo knob of the ignitor several times (1) until the main burner burns. The flame is visible through the slot in the front panel. After ignition of the burner hold the knob (2) pressed several seconds till the thermofuse gets hot. Then release the button. If the flame goes out repeat the whole process once more.

• Lower performance sporo: picture A,B

By turning the knob (2) into position „sporo“ you set the burning of the burner for sporo (lower performance).

• How to switch the whole device off: picture A,B

Turn the knob (2) into position "0".

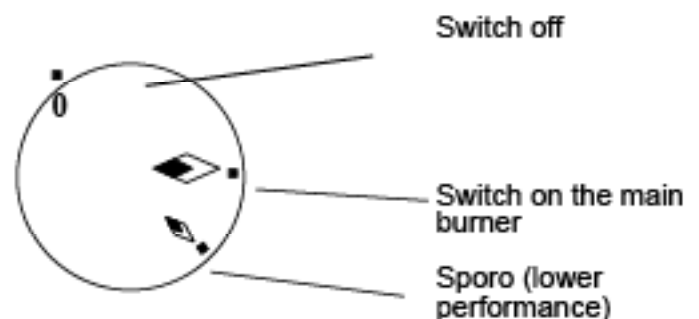
Bowl for superfluous oil

Check this bowl regularly and empty it in time. You must clean the bowl after each switching the device off. ATTENTION! THIS BOWL CAN BE HOT WHEN THE DEVICE IS ON. EMPTY IT WHEN THE DEVICE IS COLD.



① Piezzo knob

② Regulation knob



LEANING AND MAINTENANCE

Clean the device daily. Stainless parts wash with moist cleaning cloth and detergent without groove parts then splash it with clean water and dry it by the cloth. When cleaning the interior space, the burner can be removed (lift the back part and by back work movement back out from frot brackets After cleaning impregnate the surface of the hot-plates with oil.

WHAT TO DO IN CASE OF BREAK-DOWN?

Switch off the gas feeder and call seller's professional service.

The way of usage and liquidation of the litter

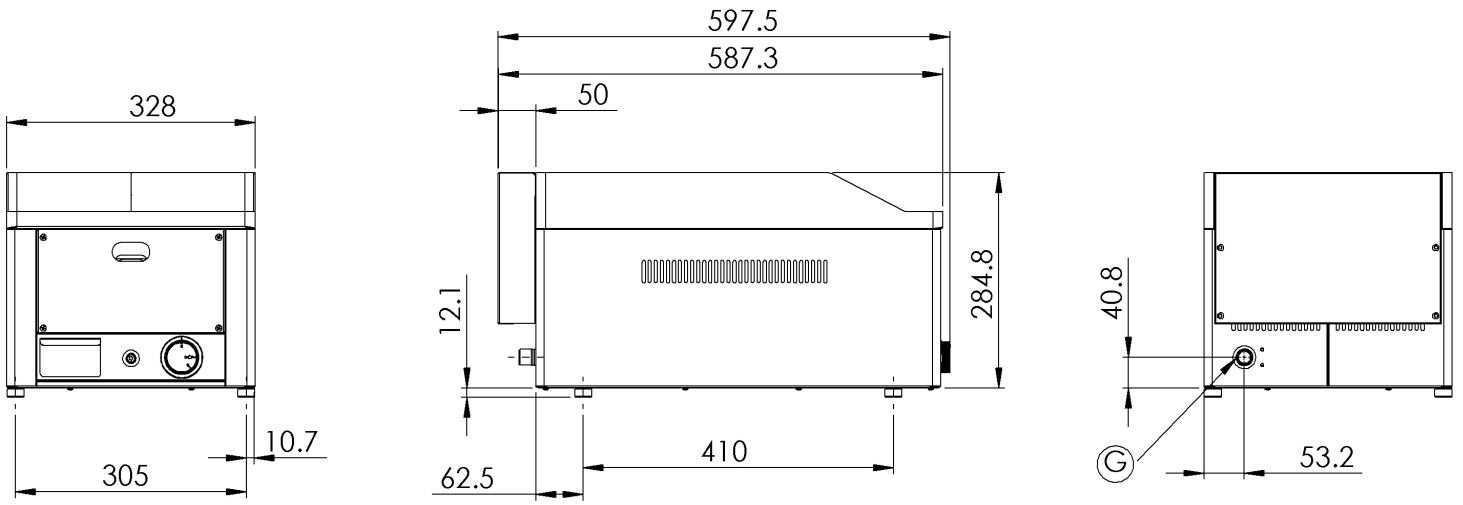
Wrapping - sell it to the salvage. Wrapping foil - give into the salvage containers for plastic. Liquidation of the device after useful life: „Sell the device and it's parts to the salvage.“

INDICATION

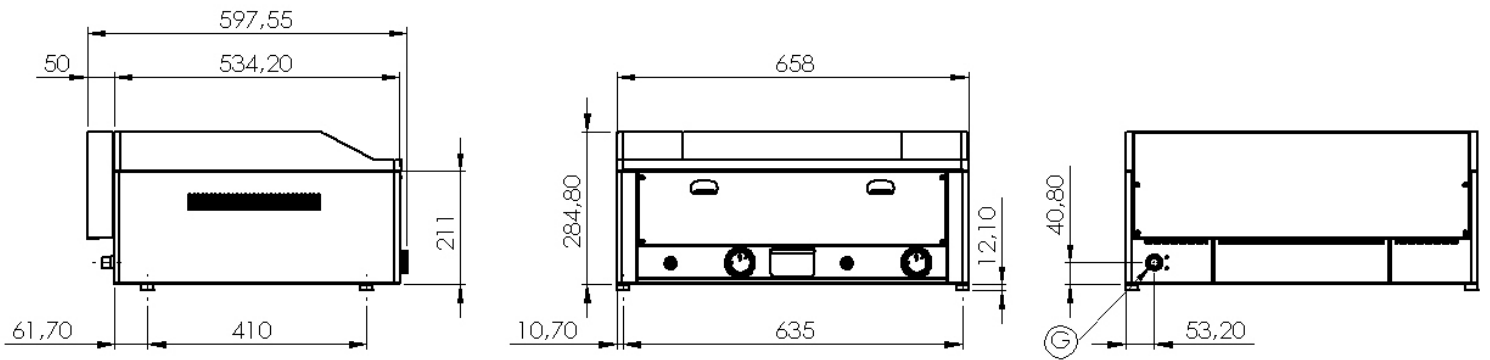
Guarentee does not cover all consumption parts succumable to common wear (rubber seals, bulbs, glas and plastic parts etc.). The guarantee does not refer to the devices which were not instaled in correspondance with instructions - by qualified worker, in confirmity with standards and when somebody handled incompetently the device (interventions into inner equipment) or the device was operated by nonqualified staff or at variance with instructions for use. Guarantee does not also cover the damages caused due to influence of nature or other outer intervention.

Dimension

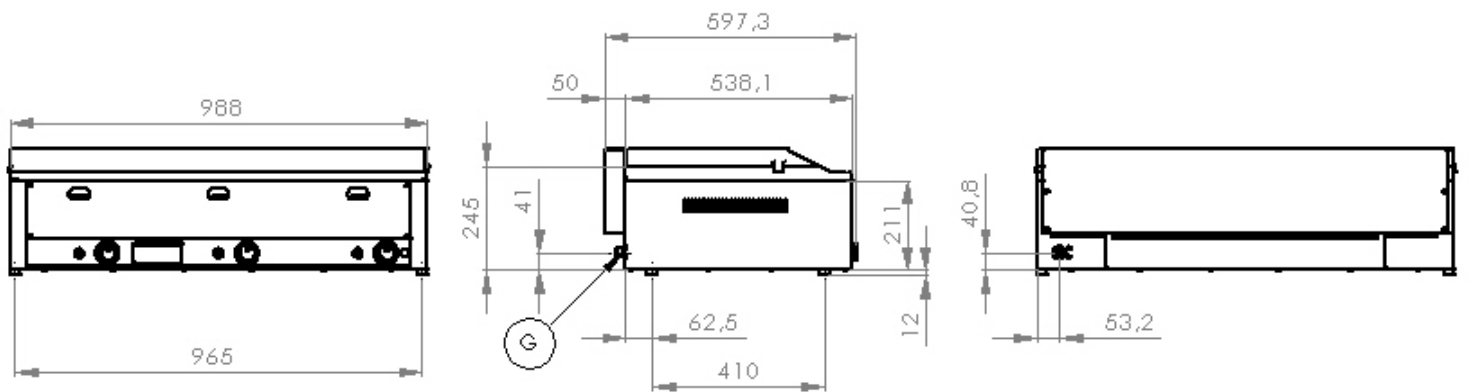
FT** 30 G



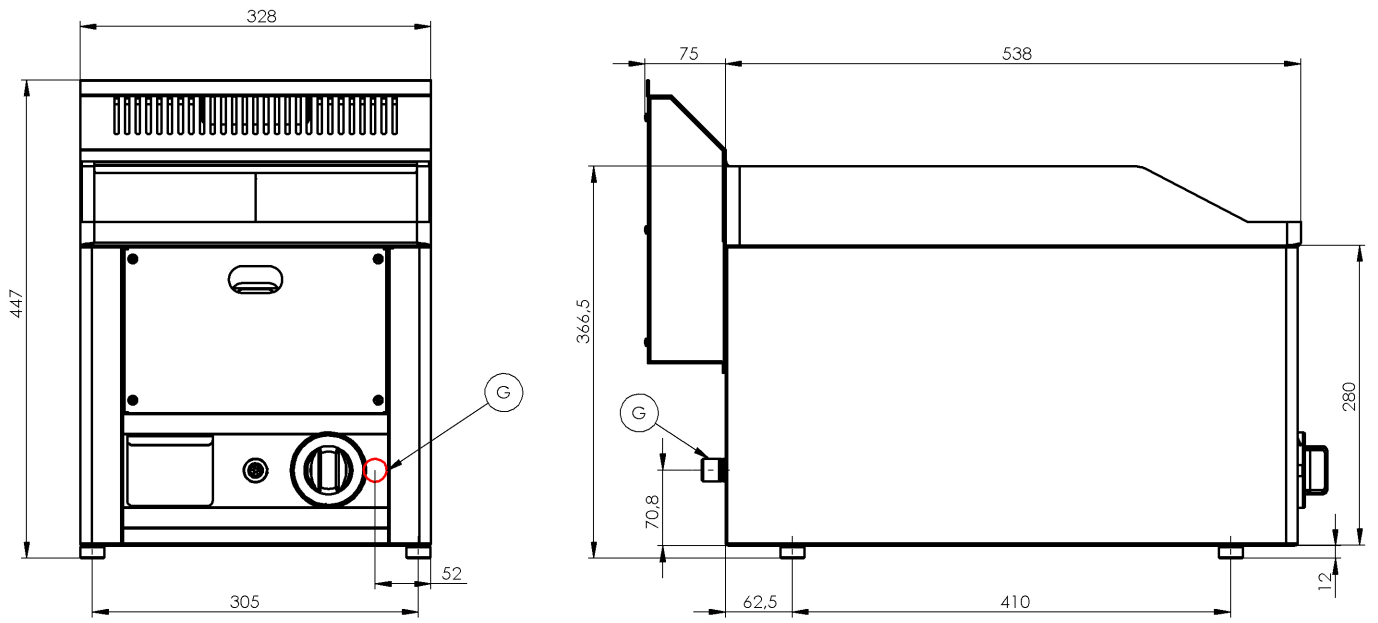
FT** 60 G



FT** 90 G



FT** 30 GL



FT** 90 GL

