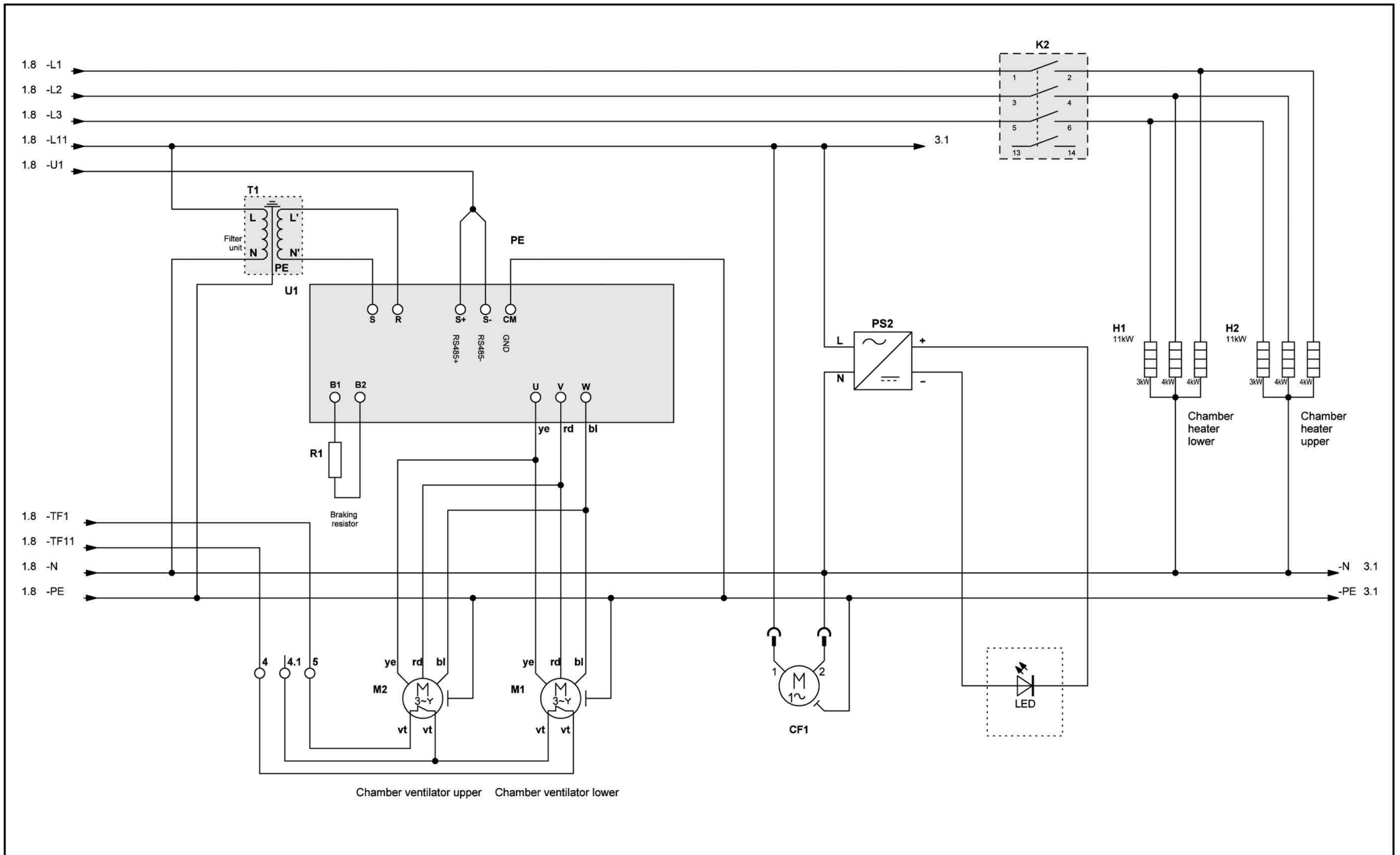


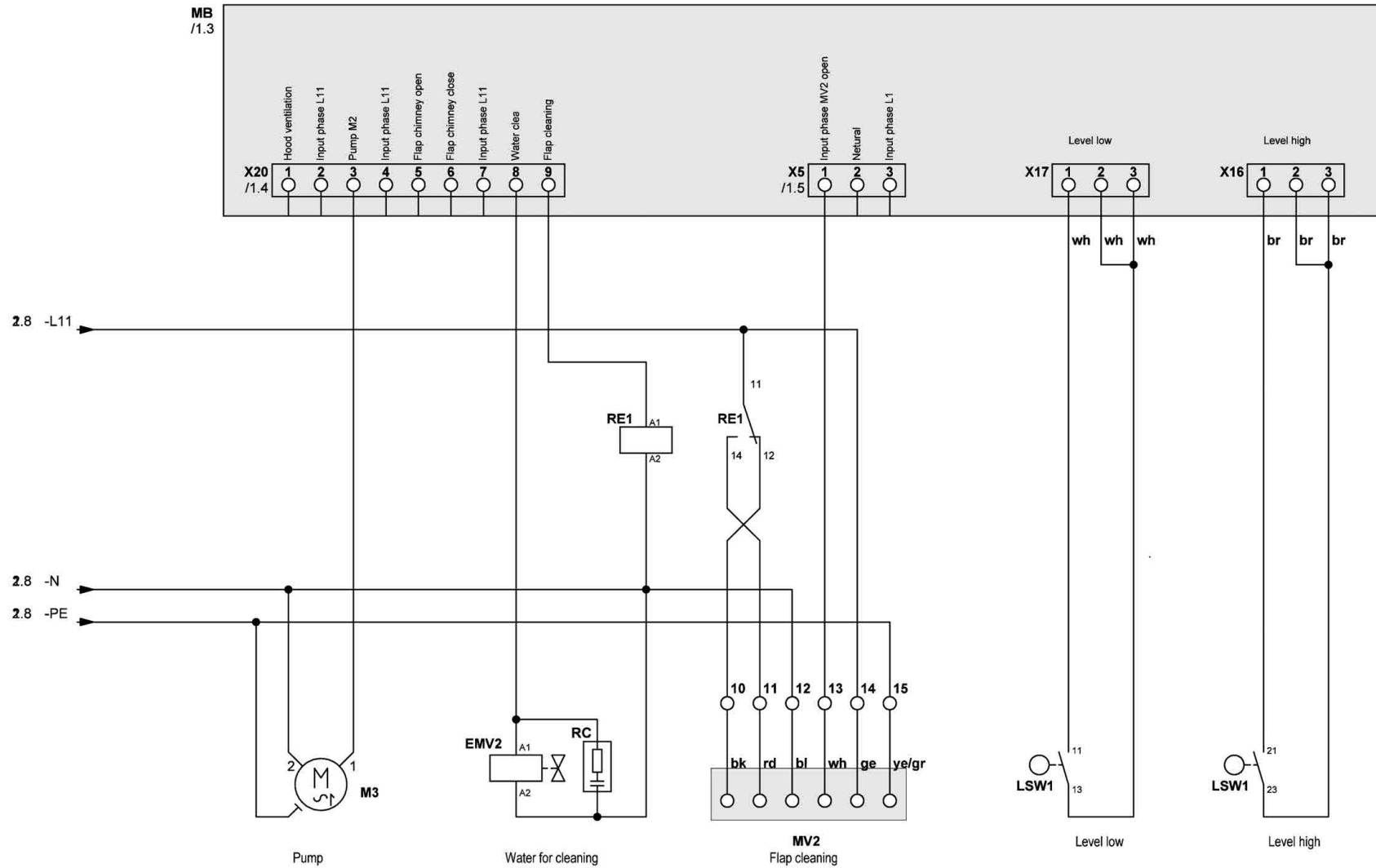
POWER SUPPLY
400V/3N/50Hz

provided by customer
FB10 S 3x40A

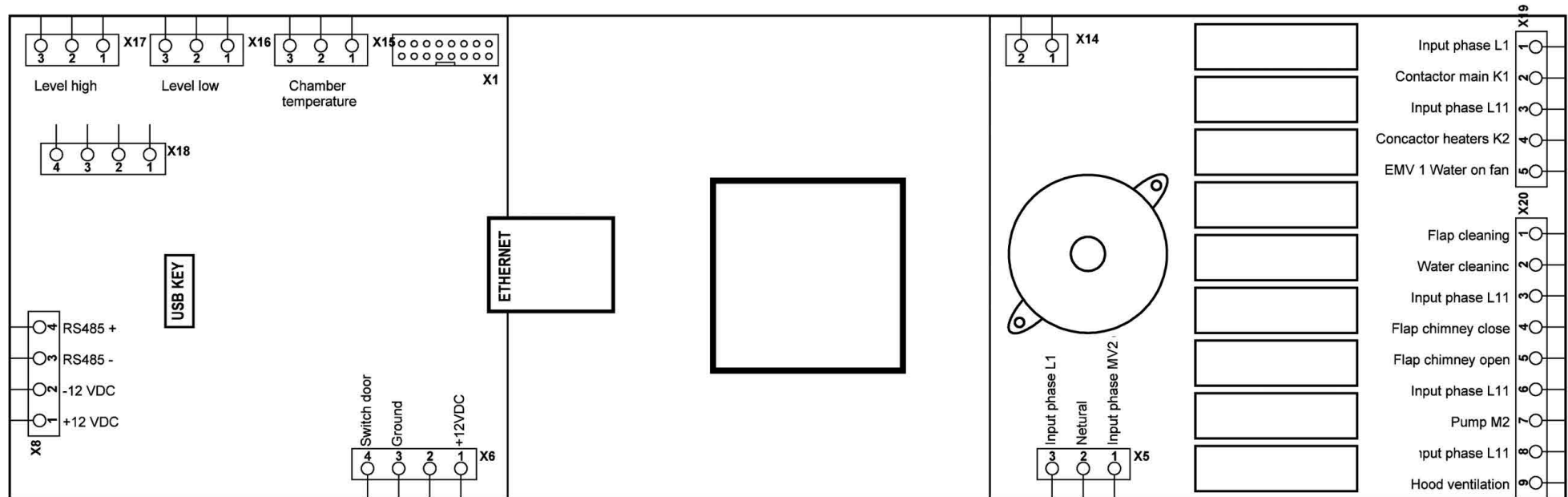
COLOUR CODE IEC 60757			
brown	bn	red	rd
black	bk	orange	or
grey	gy	violete	vt
blue	bl	turquoise	tq
green	gr	white	wh
yellow	ye	pink	pk



***CLEANING OPTION**



MAIN BOARD BASIC UL 004-10036



MOTOR INVERTER 004-10012

