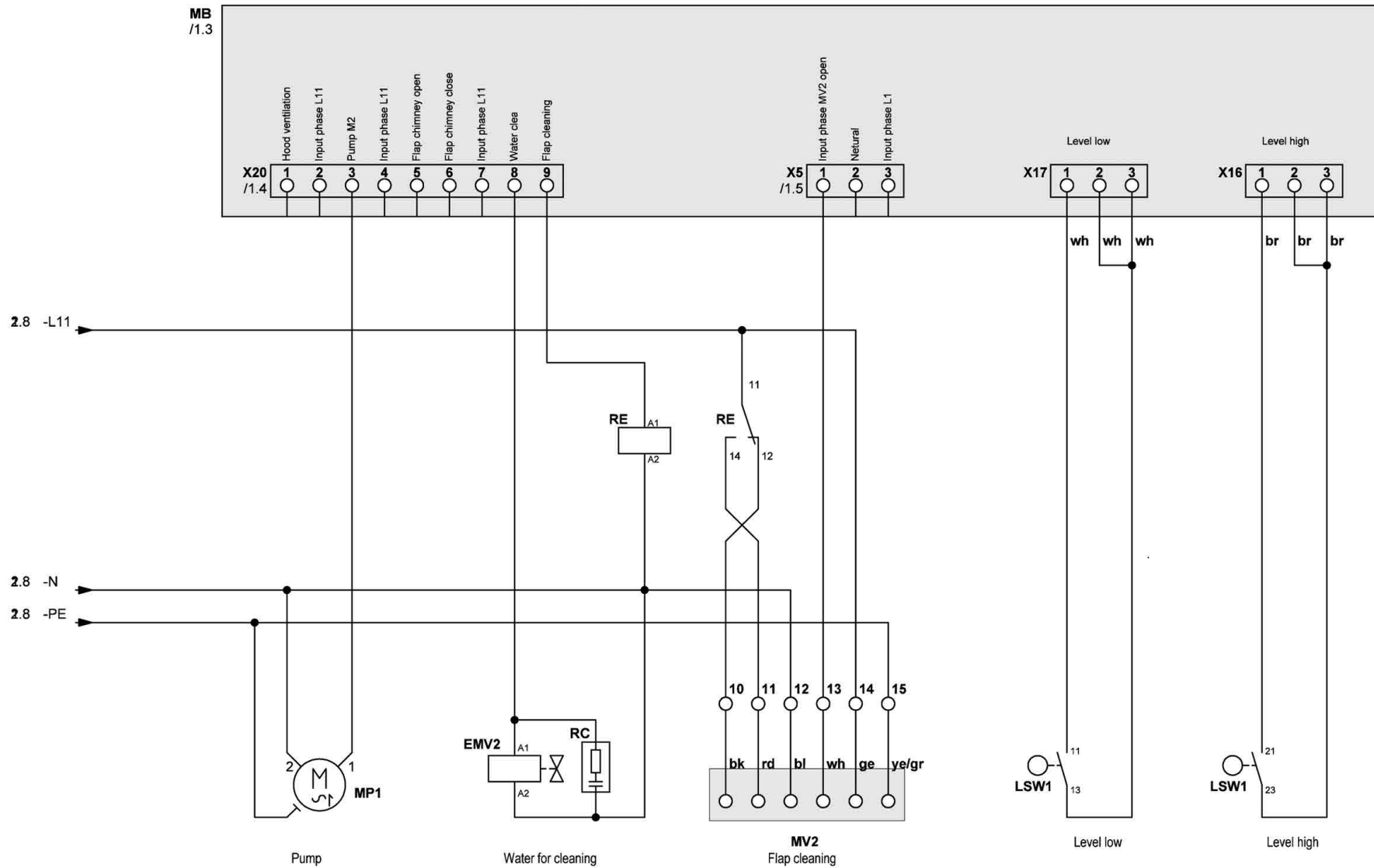
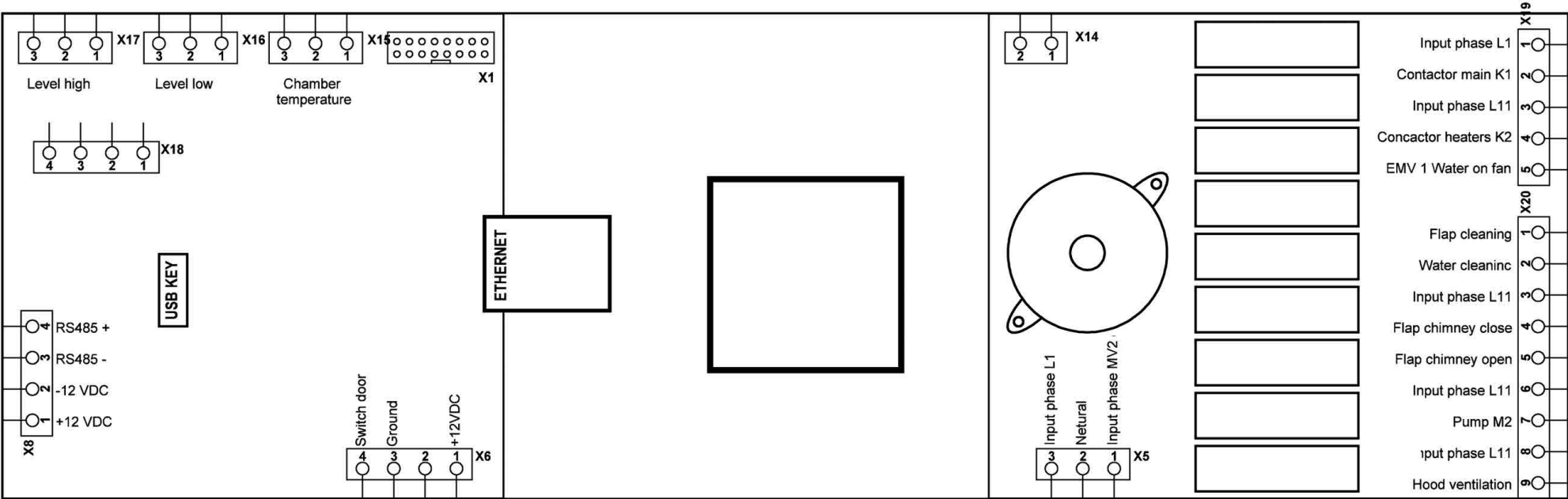


**\*CLEANING OPTION**



MAIN BOARD BASIC UL 004-10036



# MOTOR INVERTER 004-10012

