

FW500 - FW500US



370238 - 370239

Bartscher GmbH
Franz-Kleine-Str. 28
D-33154 Salzkotten
Germany

Phone: +49 5258 971-0

Fax: +49 5258 971-120

Technical Support Hotline: +49 5258 971-197

www.bartscher.com



Version: 1.0

Date of preparation: 2021-02-25

Original instruction manual

1	Safety	2
1.1	Explanation of Signal Words.....	2
1.2	Safety instructions.....	3
1.3	Intended Use	6
1.4	Unintended Use	6
2	General information	7
2.1	Liability and Warranty	7
2.2	Copyright Protection	7
2.3	Declaration of Conformity	7
3	Transport, Packaging and Storage	8
3.1	Delivery Check.....	8
3.2	Packaging	8
3.3	Storage	8
4	Technical Data.....	9
4.1	Technical Specifications	9
4.2	List of Components of the Appliance	11
4.3	Functions of the Appliance.....	11
5	Installation and operation	12
5.1	Installation.....	12
5.2	Operation	14
6	Cleaning	17
6.1	Safety Instructions for Cleaning	17
6.2	Cleaning.....	17
7	Possible Malfunctions.....	19
8	Disposal.....	20



Read this instruction manual before using and keep it available at all times!

This instruction manual contains information about installation, operation and maintenance of the appliance and constitutes an important source of information and reference guide. The knowledge of all operational and safety instructions included in this manual is a prerequisite for safe and proper handling of the appliance. Additionally, accident prevention, occupational health and safety, and legal regulations in force in the area the appliance is used apply.

Before you start using the appliance, especially before turning it on, read this instruction manual in order to avoid personal injuries and property damages. Improper use may cause damage.

This instruction manual forms an integral part of the product and must be stored in an immediate vicinity of the appliance and be available at all times. The instruction manual should be transferred together with the appliance.

1 Safety

EN

This appliance has been manufactured in accordance with technical standards currently in force. However, the appliance may be a source of hazards if used improperly or contrary to its intended purpose. All persons using the appliance must consider information included in this instruction manual and observe safety instructions.

1.1 Explanation of Signal Words

Important safety instructions and warning information are indicated in this instruction manual with appropriate signal words. You must strictly follow the instructions, to prevent accidents, personal injuries and property damages.



DANGER!

The signal word **DANGER** warns against hazards that lead to severe injuries or death if the hazards are not avoided.



WARNING!

The signal word **WARNING** warns against hazards that may lead to moderate or severe injuries or death if the hazards are not avoided.



CAUTION!

The signal word **CAUTION** warns against hazards that may lead to light or moderate injuries if the hazards are not avoided.

IMPORTANT!

The signal word **IMPORTANT** indicates possible property damages, which may occur if safety instructions are not observed.

NOTE!

The symbol **NOTE** indicates subsequent information and guidelines for the user on usage of the appliance.

1.2 Safety instructions

Electrical Current

- Too high a mains voltage or incorrect installation may cause electric shock.
- The appliance may be connected only if data on the rating plate correspond with the mains voltage.
- To avoid short-circuit, the appliance should be kept dry.
- If there are malfunctions during operation, disconnect the appliance from the power supply.
- Do not touch the appliance's plug with wet hands.
- Never take hold of the appliance if it has fallen into water. Immediately disconnect the appliance from the power supply.
- Any repairs or housing opening may be carried out by professionals and relevant workshops only.
- Do not transport the appliance, holding it by the power cord.
- Do not allow the power cord to come into contact with heat sources or sharp edges.
- Do not bend, pinch nor knot the power cord.
- Always completely unwind the power cord.
- Never place the appliance or other objects on the power cord.
- Always take hold of the plug to disconnect the appliance from the power supply.

- Check the power cord regularly for damage. Do not use the appliance if the power cord is damaged. If this cable is damaged, it must be replaced by customer service or a qualified electrician in order to avoid dangers.

Supervised Usage only

- Only supervised appliance may be used.
- Always remain in an immediate vicinity of the appliance.

Operating Personnel

- The appliance may only be operated by qualified personnel and trained specialist personnel.
- This appliance may not be operated by persons (including children) with limited physical, sensory or mental capabilities, nor by persons with limited experience and/or limited knowledge.
- Children should be supervised to ensure that they are not playing with or switching on the appliance.

EN

Safety of Meat Grinder Operation

- Never place any cloths, napkins nor any other objects on or under the appliance during operation to avoid injuries and material damages in the event of fire, electric shock or excessive heat.
- Prior to disassembly/assembly of components, cleaning or moving the appliance into other location, switch it off (turn the ON/OFF switch to "OFF" position) and disconnect it from electric power supply (pull the plug out).
- When assembling the appliance never use force.
- Switch the appliance on only after its complete and correct assembly. To this end, read indications in section 5.2 "Operation".
- Never reach into the filling shaft, neither insert any objects in the outlet of the worm housing when the appliance is connected to mains supply.
- Never put hair, clothing nor kitchen utensils into the filling shaft of the appliance.
- Prior to switching on, make sure that the filling shaft of the appliance is free of any foreign bodies.
- Never keep your face over the filling shaft of the running appliance. During operation, chips of bone scraps or hard ingredients (fruit stones, leaf stalks etc.) may be projected.

Improper Use

- Unintended or prohibited use may cause damage to the appliance.

Safety

- The appliance may only be used when its technical condition is flawless and allows for safe operation.
- The appliance may only be used when all connections are executed according to rules of law in force.
- The appliance may only be used when it is clean.
- Use only original spare parts. Never attempt to repair the appliance on your own.
- Do not introduce any changes in the appliance nor modify it.

1.3 Intended Use

As described below, every use of the appliance for a purpose differing and/or diverging from its intended standard use, is prohibited and considered to be an unintended use.

The following is an intended use:

- Grinding of suitable food products (meat, vegetables) with the use of adequate accessories.

1.4 Unintended Use

An unintended use may lead to personal injuries or property damages caused by hazardous voltage, fire or high temperature. The appliance may only be used to perform tasks described in this instruction manual.

The following is an unintended use:

- Grinding of frozen meat.
- Processing of bones.

2 General information

2.1 Liability and Warranty

All information and instructions in this instruction manual account for legal regulations in force, current level of technical engineering knowledge as well as our expertise and experience, developed over the years. If special models or additional options are ordered, or state-of-the-art technical solutions were implemented, the actual scope of delivery of the appliance may, in some circumstances, differ from descriptions and numerous drawings in this instruction manual.

The manufacturer is not liable for any damages nor faults stemming from:

- failure to observe instructions,
- unintended use,
- technical alterations introduced by the user,
- usage of unapproved spare parts.

We reserve the right to introduce technical modifications to the product, intended for improvement of the appliance and its performance.

2.2 Copyright Protection

This instruction manual, and texts, drawings and images included in it, as well as its other components are copyright protected. It is prohibited to reproduce this instruction manual (including its excerpts), in any form and by any means, and to use and/or transfer its content to third parties without manufacturer's written permission. Violation of the above results in obligation to pay compensation. We reserve the right to claim further damages.

EN

2.3 Declaration of Conformity

The appliance meets the currently applicable standards and guidelines of the European Union. We confirm the above in the EC Declaration of Conformity. We may provide relevant Declaration of Conformity upon request.

3 Transport, Packaging and Storage

3.1 Delivery Check

Immediately upon reception, check the delivery for completeness and possible shipping damage. In the case of visible transport damage refuse to accept the appliance or accept it conditionally. Mark and note the scope of damage in shipping documents/consignment list of the shipping company and lodge a complaint. Concealed damage must be reported immediately upon its discovery, as compensation claims may only be filed within applicable time limits.

If you find that parts or accessories missing, please contact our Customer Service Department.

3.2 Packaging

Do not dispose of the appliance cardboard box. It may be used to store the appliance when relocating or when shipping the appliance to our service point in the case of any damages.

The packaging and its elements are made of recyclable materials. Particularly, these are: plastic films and bags, cardboard box.

EN

When disposing of the packaging, observe applicable domestic regulations. Recyclable packaging materials should be recycled.

3.3 Storage

Leave the packaging closed until installation of the appliance; observe external indications concerning method of placing and storage. Store the packaging in the following conditions only:

- in closed rooms;
- in dry and dust-free surrounding;
- away from aggressive agents;
- in a location protected against sunlight;
- in a location protected against mechanical shocks.

In the case of extended storage (over three months), make sure you check the condition of the packaging and the parts regularly. If needed, replace the packaging with a new one.

4 Technical Data

4.1 Technical Specifications

Name:	Meat grinder FW500
Article number:	370238
Material:	Stainless steel
Transmission material	Stainless steel
Material of grinder funnel:	Aluminium
Diameter of filling chute, in mm:	76
Diameter of disks, in mm:	100
Max. output, in kg/h:	500
Connected load:	2,2 kW 400 V 50 Hz
Dimensions (W x D x H), in mm:	310 x 525 x 520
Weight, in kg:	41,0

EN

Name:	Meat grinder FW500US
Article number:	370239
Material:	Stainless steel
Transmission material	Stainless steel
Material of grinder funnel:	Aluminium
Diameter of filling chute, in mm:	76
Diameter of disks, in mm:	100
Max. output, in kg/h:	500
Connected load:	2,2 kW 400 V 50 Hz
Dimensions (W x D x H), in mm:	310 x 525 x 520
Weight, in kg:	42,2

We reserve the right to implement technical modifications.

Version / Characteristics

- Colour: silver
- Removeable grinder funnel
- Removeable grinding unit
- Removeable mincing unit
- Ventilated motor
- Overload protection
- ON/OFF switch
- Indicator light: ON/OFF, forward run, reverse run
- Equipment connection: 3 NAC, ready to plug in
- Features
 - All detachable stainless steel parts and the mincing unit are dishwasher-safe
 - Large filling chute
- The set includes
 - 1 perforated disk (6 mm)
 - 1 stainless steel 4-blade knife
 - 1 pusher

EN

Protective Measures

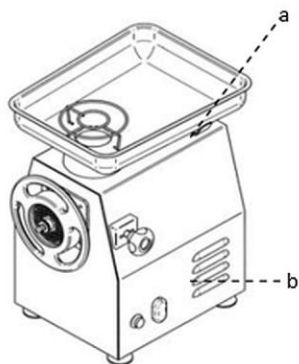


Fig. 1

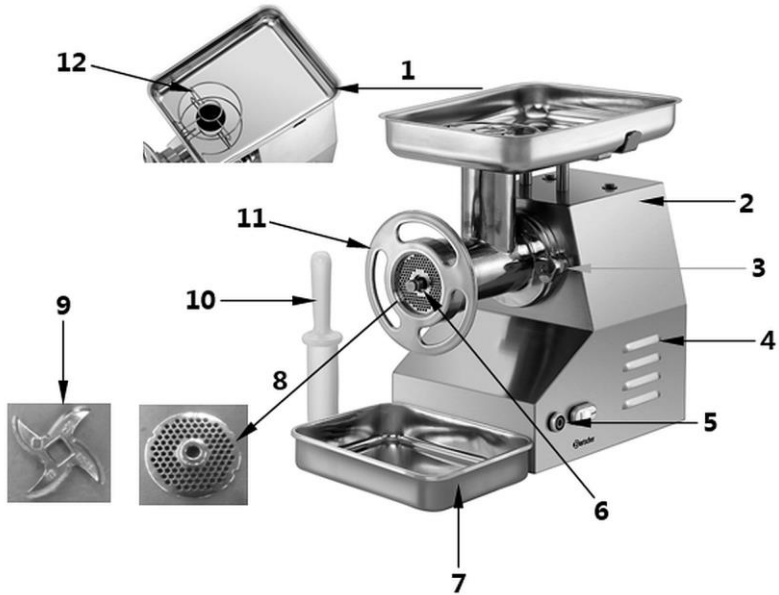
a – Microswitch

It switches the appliance off, when the grinder funnel is removed from the meat grinder's filling chute. When the grinder funnel is reinstalled, switch the appliance on with the ON/OFF switch.

b – Self-locking switch

In the event of sudden voltage decay, it forces conscious re-starting of the appliance.

4.2 List of Components of the Appliance



EN

Fig. 2

- | | |
|----------------------------------|--|
| 1. Grinder funnel | 2. Housing |
| 3. Locking ring | 4. Ventilation openings |
| 5. Operating elements | 6. Worm |
| 7. Drip tray | 8. Perforated disk (6 mm) |
| 9. Stainless steel 4-blade knife | 10. Pusher |
| 11. Locking ring | 12. Filling chute with access protection |

4.3 Functions of the Appliance

The meat grinder is intended for grinding meat.

5 Installation and operation

5.1 Installation

Unpacking / Positioning

- Unpack the appliance, remove all external and internal packaging elements and shipment safeguards.

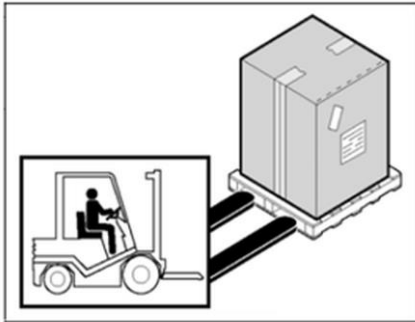


CAUTION!

Choking hazard!

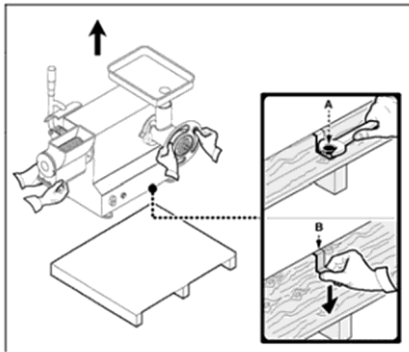
Prevent children from accessing package materials, for instance: plastic bags and EPS.

- If the appliance is covered with a protective film, remove it. Remove the film slowly, so no glue residues are left. Remove any glue residues with the use of a suitable solvent.
- Be careful not to damage the rating plate and warning labels fixed on the appliance.
- **Never** place the appliance in humid or wet environment.
- Place the appliance in a way making the connections easily accessible, so that they may be quickly disconnected if such a need arises.
- The appliance should be placed on surfaces that are:
 - even, with sufficient bearing capacity, resistant to water, dry and resistant to high temperatures;
 - sufficiently large, and thus enabling usage of the appliance with no problems;
 - easily accessible;
 - well ventilated.
- Maintain sufficient clearance from table edges. The appliance might turn over and fall down.
- In order to work without interruptions, keep a minimum clearance of 10 cm from left and right side, as well as from the rear, and 50 cm over the appliance.



1. Lift the appliance in its packaging as instructed.
2. Place the appliance in a prepared area.
3. Remove card-box from the appliance.

Fig. 3



Symbolic illustration

Fig. 4

4. Undo screws A.
5. Lift the appliance from the pallet.
6. Undo screws A.
7. Remove bail B.

Connection — Electrical Power

In order to verify if the grounding device of the installation is fully operational, check if the mains voltage (V) and frequency (Hz) are concurrent with information provided on the appliance. The appliance is equipped with power cord, which is to be connected to multi-pole plug.

Connect the plug to a multi-pole socket, featuring rotating field. Start the appliance for a brief moment and check if the direction of worm rotations is correct. If the direction of worm rotations is incorrect, disconnect voltage supply and exchange two out of three phases in the plug.

5.2 Operation

Before First Use

1. Make sure that all components of the appliance and accessories are available and in sound condition.
2. Prior to first use, thoroughly clean the appliance and equipment according to instructions in section 6 '**Cleaning**'. Prior to assembly, thoroughly dry all components.
3. Always use the enclosed pusher in order to carefully push meat into the filling hopper and worm housing.

Indications and Advices

- Always process **only fresh** food products. Especially in the case of meat, make sure it is processed directly prior to heat treatment or consumption: ground meat, even if stored in a refrigerator, features a short due date of consumption. Observe provisions of acts of law and regulations in force.
- When processing larger quantities of food products, divide them into portions, and then process them within 2–3 minutes. Switch the appliance off between processing of subsequent portions, so that the appliance does not overheat. Prepare another portion during the break.
- **Never** use the appliance for processing of too hard and too fibrous food products (e.g. fruit stones, shells, nuts, bones, cartilage, thick tendons, etc.). Remove them prior to processing. Parboil hard vegetables prior to grinding.
- Already at the process of meat grinding add necessary seasoning, herbs, onion (e.g. in the case of ground meat or minced meat) in order to obtain a better blend. Mill hard seasoning, e.g. grains of pepper, nutmeg, etc. prior to adding them.
- **Meat grinder is not** intended for grinding highly watery food products.

Assembly

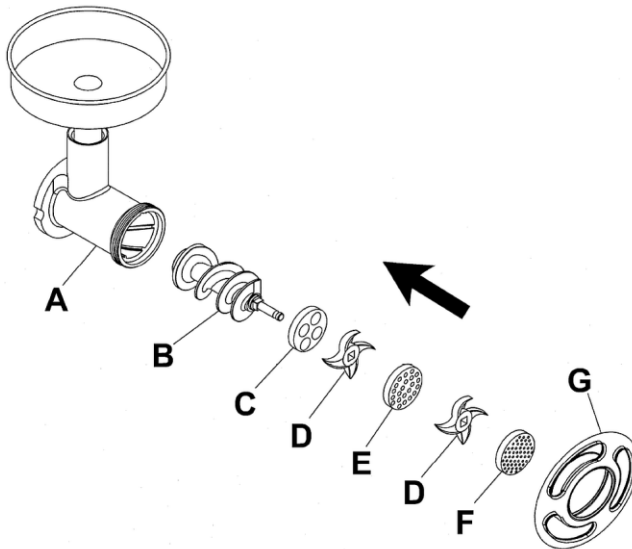


Fig. 5

EN

- A – Meat grinder's body
- B – Worm
- C – Coarsely perforated disk
- D – Knife
- E – Perforated disk, $\varnothing 8$ mm
- F – Perforated disk, $\varnothing 4,5$ mm
- G – Locking ring

1. Fix worm housing (A) on the appliance.
2. Insert the worm (B) into the worm housing (A).
3. Insert the coarsely perforated disk (C) onto the worm.
4. Insert the stainless steel knife (D) onto it.



WARNING!

Injury hazard! Stainless steel knife is very sharp!

Exercise extreme caution when assembling the appliance.

5. Insert the stainless steel knife (D) onto the perforated disk (E).
6. Re-insert the stainless steel knife (D) onto the perforated disk (E).
7. Insert the stainless steel knife (D) onto the perforated disk (F).
8. Insert the locking ring (D) and tighten it securely.

Steps 5–8 above do not pertain to meat grinder 370238, as that appliance features no pre-knife.

Control Elements

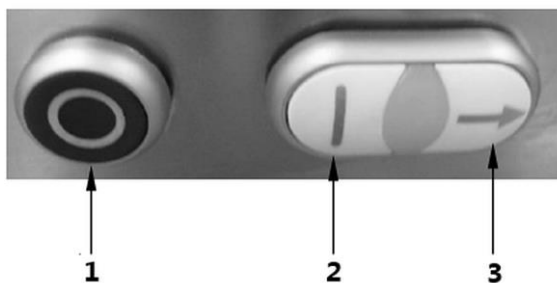


Fig. 6

1. Stop button
2. Start button / forward run function button
3. Reverse run function button

Switching-On



Symbolic illustration Fig. 7

1. When operating the meat grinder pay attention to keep the correct working position of your body (Fig. 3).
2. Press Start (2) button, to switch the appliance on.
3. Press Stop (1) button, to switch the appliance off.

With the reverse run button (3) you may change the direction of revolutions in order to extract ingredients that stuck in the worm housing.

4. Slice meat into pieces of suitable size.
5. Put sliced pieces into grinder funnel.
6. Switch the appliance on.
7. When the motor is on, slide meat portion by portion into the filling shaft.
9. Always use the enclosed pusher; never use your hands nor any other objects to do this.
10. When meat is processed, screw the locking ring off, turning it counter-clockwise.

EN

6 Cleaning

6.1 Safety Instructions for Cleaning

- Before cleaning, disconnect the appliance from the power supply.
- Leave the appliance to cool down completely.
- Make sure water does not enter the appliance. Do not immerse the appliance in water or other liquids during cleaning. Do not clean the appliance with a pressurized water jet.
- Do not use any sharp or pointed, nor metal implements (knife, fork, etc.). Sharp or pointed implements may damage the appliance, and when in contact with live parts, they may cause electric shock.
- For cleaning, do not use any scouring agents that contain solvents nor corrosive cleaning agents. They may damage the surface.

6.2 Cleaning

Appliance Disassembly

Prior cleaning, the appliance should be disassembled the following way:

- screw the locking ring off, turning it counter-clockwise and remove it,
- remove all components from the worm housing (perforated disk, stainless steel knife, worm shaft),
- remove the pusher from the filling shaft,
- remove the grinder funnel from the worm housing,
- turn the locking ring counter-clockwise to screw the worm housing off,
- to end with, remove the worm housing from the appliance,
- remove residues of processed food products from the worm housing and filling shaft.

NOTE: Clean the appliance directly after each use and do not let the residues of food products to dry up on the housing nor any other component of the meat grinder.

Cleaning of the Appliance and Accessories

1. Wash detachable stainless steel components with a mild cleaning agent. Use a soft sponge or dish-washing brush for cleaning.

NOTE: All detachable stainless steel components are dishwasher-safe.

2. Residues of food products that dried up on the detachable components of the appliance may be easily removed after soaking them for a while in warm water.
3. To end with, rinse the cleaned components in clean water and thoroughly dry.
4. Wipe the motor block and connection cable only with a slightly damp cloth. Make sure that no liquid penetrates ventilation slots at the rear and bottom side of the appliance.
5. Carefully dry the motor block.
6. Leave all cleaned components for approx. 1/2 hour to dry in open air.
7. Lubricate perforated disks, worm and stainless steel knife with a minute amount of edible oil, to prevent them from rusting.

Storing the Appliance

1. If the appliance is to remain unused for a longer period of time, clean it, observing indications in section **6 'Cleaning'** and store in a dry, clean place, safe from frost and sunlight, and out of the reach of children. Do not place any heavy objects on the appliance.
2. All components should be stored together. Insert the worm shaft, stainless steel knife and perforated disk into the worm housing, screw the locking ring onto the worm housing and secure the worm housing onto the appliance housing, using the locking ring. This way you will avoid injuring yourself with the stainless steel knife and losing components. Put the grinder funnel onto the screw housing, and insert the pusher into the filling shaft.
3. Cover the appliance to protect it against dust and soiling.

7 Possible Malfunctions

Malfunction	Possible Cause	Solution
Appliance does not start	Mains switch is off	Set the mains switch to 'I' position
	No voltage in supply line	Contact the supplier
	Fuse in the electronic board burnt	Contact the supplier

8 Disposal

Electrical Appliance



Electric appliances are marked with this symbol. Electrical appliances must be disposed of and recycled in a correct and environmentally friendly manner. You must not dispose of electric appliances with household waste. Disconnect the appliance from the power supply and remove power cord from the appliance.

Electrical appliances should be returned to designated collection points.