

3x2/1 GN - 4x3/1 GN - 6x3/1 GN



125508 - 125515 - 125524

Bartscher GmbH
Franz-Kleine-Str. 28
D-33154 Salzkotten
Germany

Phone: +49 5258 971-0

Fax: +49 5258 971-120

Technical Support Hotline: +49 5258 971-197

www.bartscher.com



Version: 1.0

Date of preparation: 2019-12-17

Original instruction manual

1	Safety	2
1.1	Explanation of signal words	2
1.2	Safety instructions.....	3
1.3	Intended use	6
1.4	Unintended use.....	6
2	General information	7
2.1	Liability and warranty	7
2.2	Copyright protection.....	7
2.3	Declaration of conformity	7
3	Transport, packaging and storage	8
3.1	Delivery check	8
3.2	Packaging	8
3.3	Storage	8
4	Technical data	9
4.1	Technical specifications	9
4.2	List of components of the appliance.....	11
4.3	Functions of the appliance	12
5	Installation and operation	13
5.1	Installation.....	13
5.2	Operation	16
6	Cleaning	18
6.1	Safety Instructions for cleaning.....	18
6.2	Cleaning.....	18
7	Disposal.....	19



Read this instruction manual before using and keep it available at all times!

This instruction manual contains information about installation, operation and maintenance of the appliance and constitutes an important source of information and reference guide. The knowledge of all operational and safety instructions included in this manual is a prerequisite for safe and proper handling of the appliance. Additionally, accident prevention, occupational health and safety, and legal regulations in force in the area the appliance is used apply.

Before you start using the appliance, especially before turning it on, read this instruction manual in order to avoid personal injuries and property damages. Improper use may cause damage.

This instruction manual forms an integral part of the product and must be stored in an immediate vicinity of the appliance and be available at all times. The instruction manual should be transferred together with the appliance.

1 Safety

EN

This appliance has been manufactured in accordance with technical standards currently in force. However, the appliance may be a source of hazards if used improperly or contrary to its intended purpose. All persons using the appliance must consider information included in this instruction manual and observe safety instructions.

1.1 Explanation of signal words

Important safety instructions and warning information are indicated in this instruction manual with appropriate signal words. You must strictly follow the instructions, to prevent accidents, personal injuries and property damages.



DANGER!

The signal word **DANGER** warns against hazards that lead to severe injuries or death if the hazards are not avoided.



WARNING!

The signal word **WARNING** warns against hazards that may lead to moderate or severe injuries or death if the hazards are not avoided.



CAUTION!

The signal word **CAUTION** warns against hazards that may lead to light or moderate injuries if the hazards are not avoided.

IMPORTANT!

The signal word **IMPORTANT** indicates possible property damages, which may occur if safety instructions are not observed.

NOTE!

The symbol **NOTE** indicates subsequent information and guidelines for the user on usage of the appliance.

1.2 Safety instructions

Electrical current

- Too high a mains voltage or incorrect installation may cause electric shock.
- The appliance may be connected only if data on the rating plate correspond with the mains voltage.
- To avoid short-circuit, the appliance should be kept dry.
- If there are malfunctions during operation, disconnect the appliance from the power supply.
- Do not touch the appliance's plug with wet hands.
- Never take hold of the appliance if it has fallen into water. Immediately disconnect the appliance from the power supply.
- Any repairs or housing opening may be carried out by professionals and relevant workshops only.
- Do not transport the appliance, holding it by the power cord.
- Do not allow the power cord to come into contact with heat sources or sharp edges.
- Do not bend, pinch nor knot the power cord.
- Always completely unwind the power cord.

- Never place the appliance or other objects on the power cord.
- Always take hold of the plug to disconnect the appliance from the power supply.

Fire hazard / flammable materials hazard / explosion hazard!

- Do not use any electric devices in the appliance.
- Do not store nor use petrol or other flammable liquids and gases in the vicinity of this or any other appliance. Those gases may cause fire or explosion hazard.
- Do not put into the appliance any explosive materials, like sprays filled with flammable propellants. Contents of containers filled with flammable gases and liquids may leak in low temperatures, and the contents may catch fire from sparks generated by an electric appliance. Explosion hazard!
- In the case of coolant leakage, pull the plug from the socket. Remove all sources of ignition in the vicinity, ventilate room and contact technical service. Avoid coolant getting in contact with eyes, as it may cause serious eye damage.
- Never use any flammable liquids for cleaning the appliance or its parts. Gases released may cause fire or explosion hazard.
- In the case of fire, disconnect the appliance from the power supply before attempting adequate fire-extinguishing actions.
- Never attempt to extinguish fire with water if the appliance is connected to the power supply. Following extinction of fire, ensure sufficient fresh air inflow.
- Defrosting process may not be sped up with mechanical means or heat energy sources (candles or heaters) nor with any other means. Vapour produced may cause short-circuit and too high temperatures may damage the appliance.
- All ventilation slots should not be obstructed during operation.
- Never attempt to damage cooling installation of the appliance.

Operating personnel

- The appliance may only be operated by qualified personnel and trained specialist personnel.
- This appliance may not be operated by persons (including children) with limited physical, sensory or mental capabilities, nor by persons with limited experience and/or limited knowledge.
- Children should be supervised to ensure that they are not playing with or switching on the appliance.

Improper use

- Unintended or prohibited use may cause damage to the appliance.
- The appliance may only be used when its technical condition is flawless and allows for safe operation.
- The appliance may only be used when all connections are executed according to rules of law in force.
- The appliance may only be used when it is clean.
- Use only original spare parts. Never attempt to repair the appliance on your own.
- Do not introduce any changes in the appliance nor modify it.

- Do not drill hole in the appliance nor install any objects on it.
- Do not place any heavy objects on the appliance.

1.3 Intended use

As described below, every use of the appliance for a purpose differing and/or diverging from its intended standard use, is prohibited and considered to be an unintended use.

The following is an intended use:

Cooling food products in suitable GN containers.

1.4 Unintended use

An unintended use may lead to personal injuries or property damages caused by hazardous voltage, fire or high temperature. The appliance may only be used to perform tasks described in this instruction manual.

2 General information

2.1 Liability and warranty

All information and instructions in this instruction manual account for legal regulations in force, current level of technical engineering knowledge as well as our expertise and experience, developed over the years. If special models or additional options are ordered, or state-of-the-art technical solutions were implemented, the actual scope of delivery of the appliance may, in some circumstances, differ from descriptions and numerous drawings in this instruction manual.

The manufacturer is not liable for any damages nor faults stemming from:

- failure to observe instructions,
- unintended use,
- technical alterations introduced by the user,
- usage of unapproved spare parts.

We reserve the right to introduce technical modifications to the product, intended for improvement of the appliance and its performance.

2.2 Copyright protection

This instruction manual, and texts, drawings and images included in it, as well as its other components are copyright protected. It is prohibited to reproduce this instruction manual (including its excerpts), in any form and by any means, and to use and/or transfer its content to third parties without manufacturer's written permission. Violation of the above results in obligation to pay compensation. We reserve the right to claim further damages.

EN

2.3 Declaration of conformity

The appliance meets the currently applicable standards and guidelines of the European Union. We confirm the above in the EC Declaration of Conformity. We may provide relevant Declaration of Conformity upon request.

3 Transport, packaging and storage

3.1 Delivery check

Immediately upon reception, check the delivery for completeness and possible shipping damage. In the case of visible transport damage refuse to accept the appliance or accept it conditionally. Mark and note the scope of damage in shipping documents/consignment list of the shipping company and lodge a complaint. Concealed damage must be reported immediately upon its discovery, as compensation claims may only be filed within applicable time limits.

If you find that parts or accessories missing, please contact our Customer Service Department.

3.2 Packaging

Do not dispose of the appliance cardboard box. It may be used to store the appliance when relocating or when shipping the appliance to our service point in the case of any damages.

The packaging and its elements are made of recyclable materials. Particularly, these are: plastic films and bags, cardboard box.

When disposing of the packaging, observe applicable domestic regulations. Recyclable packaging materials should be recycled.

EN

3.3 Storage

Leave the packaging closed until installation of the appliance; observe external indications concerning method of placing and storage. Store the packaging in the following conditions only:

- in closed rooms;
- in dry and dust-free surrounding;
- away from aggressive agents;
- in a location protected against sunlight;
- in a location protected against mechanical shocks.

In the case of extended storage (over three months), make sure you check the condition of the packaging and the parts regularly. If needed, replace the packaging with a new one.

4 Technical data

4.1 Technical specifications

Version / Characteristics

- Cooling: static
- Delivery form: self-assembly set (simple assembly)
- Colour: teak
- Worktop made of Rosa Porrino granite
- Stainless steel basin
- Drain tap
- Sneeze guard
- Lighting: on the sneeze guard
- 4 swivel castors, 2 with brakes
- Control: knob
- Indicator light: ON/OFF

Name:	Buffet trolley, cold, 3 x 1/1 GN
Art. No.:	125508
Material:	Wood
Number of tanks:	1
Basin size, GN format:	3 x 1/1 GN
Max. GN container depth, in mm:	150
Temperature range, min.– max., in °C:	2 - 10
Coolant, amount in kg:	R134a / 0,190
Power supply:	0,236 kW / 230 V / 50 Hz
Dimensions (W x D x H) in mm:	1.200 x 880 x 1.370
Weight in kg:	112

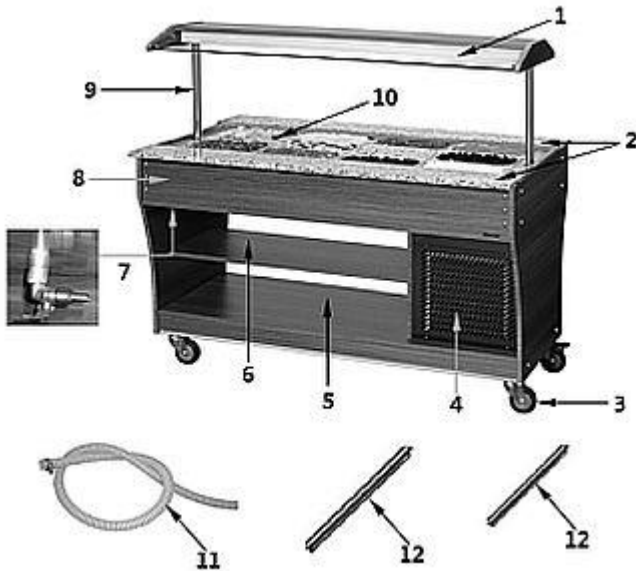
Name:	Buffet trolley, cold, 4 x 1/1 GN
Art. No.:	125515
Material:	Wood
Number of tanks:	1
Basin size, GN format:	4 x 1/1 GN
Max. GN container depth, in mm:	150
Temperature range, min.– max., in °C:	2 - 10
Coolant, amount in kg:	R134a / 0,190
Power supply:	0,507 kW / 230 V / 50 Hz
Dimensions (W x D x H) in mm:	1.490 x 880 x 1.370
Weight in kg:	152

EN

Name:	Buffet trolley, cold, 6 x 1/1 GN
Art. No.:	125524
Material:	Wood
Number of tanks:	2
Basin size, GN format:	6 x 1/1 GN
Max. GN container depth, in mm:	150
Temperature range, min.– max., in °C:	2 - 10
Coolant, amount in kg:	R134a / 0,190
Power supply:	0,507 kW / 230 V / 50 Hz
Dimensions (W x D x H) in mm:	2.150 x 880 x 1.370
Weight in kg:	197

We reserve the right to implement technical modifications!

4.2 List of components of the appliance




The delivery does not include GN containers and decorations!

Fig. 1

- | | |
|---|-------------------------|
| 1. Sneeze guard with lighting | 2. Worktops |
| 3. Swivel castors (4x), 2 with locking brakes | 4. Ventilation openings |
| 5. Lower baseplate | 6. Shelf |
| 7. Water drain tap | 8. Body |
| 9. Poles for sneeze guard (2x) | 10. GN containers basin |
| 11. Water drain hose | 12. GN containers bars |

Buffet trolleys are prepared for assembling suitable tray slides on both sides (at the front and at the back). Fixing materials are included in the delivery.

The tray slides presented below (see table below) are not included in the delivery.

	Buffet trolley	Tray slide
	125508	125502 W 1.140 x D 312 mm
Version: Stainless steel, foldable	125515	125503 W 1.460 x D 312 mm
<i>Fig. 2</i>	125524	125504 W 2.115 x D 312 mm

4.3 Functions of the appliance

The appliance is designed for displaying and serving cooled food products.

5 Installation and operation

5.1 Installation



CAUTION!

Incorrect installation, positioning, operation, maintenance or misuse of the appliance may lead to personal injury or property damage.

Positioning and installation, as well as repairs may be performed by authorised technical service only and in compliance with the applicable national law.

Unpacking / Positioning

- Unpack the appliance, remove all external and internal packaging elements and shipment safeguards.



CAUTION!

Choking hazard!

Prevent children from accessing package materials, for instance: plastic bags and EPS.

- If the appliance is covered with a protective film, remove it. Remove the film slowly, so no glue residues are left. Remove any glue residues with the use of a suitable solvent.
- Be careful not to damage the rating plate and warning labels fixed on the appliance.
- **Never** place the appliance in humid or wet environment.
- Place the appliance in a way making the connections easily accessible, so that they may be quickly disconnected if such a need arises.
- The appliance should be placed on surfaces that are:
 - even, with sufficient bearing capacity, resistant to water, dry and resistant to high temperatures;
 - sufficiently large, and thus enabling usage of the appliance with no problems;
 - easily accessible;
 - well ventilated.

- Do not place the appliance in direct sunlight or in the vicinity of heat sources (cooker, radiator, heating devices, etc.). Heat sources may negatively affect power consumption, and restrict functions of the appliance, too.
- Place the appliance so that sufficient air circulation is ensured. Do not block nor cover ventilation openings in the rear wall of the appliance.
- Leave at least 10 cm clearance from walls and other objects.

Assembly of the sneeze guard on the buffet trolley

NOTE!

2 persons are needed to assemble all components!

1. Assemble the sneeze guard with integrated lighting on the appliance (Fig. 3).

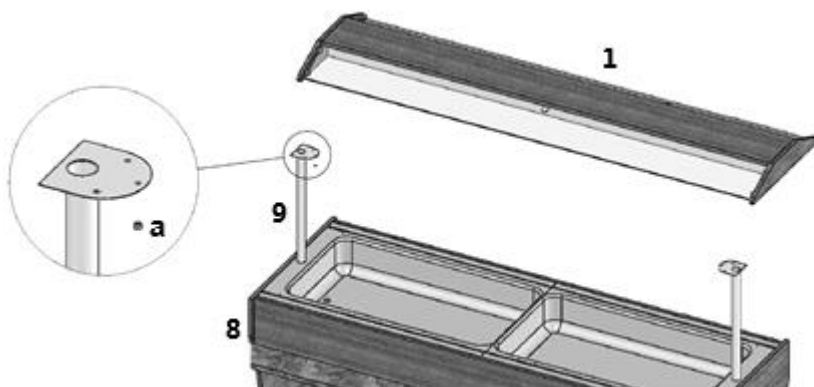


Fig. 3

2. In order to fix the sneeze guard (1), place the poles (9) in holes prepared for this end in the body (8) of the appliance.
3. Fit the sneeze guard (1) on the poles (9) so that the factory assembled pins would slide in the surfaces of the poles designed to this end.
4. Then, fix the sneeze guard (1) on the poles (9), using the included nuts (a), with 3 at each side.
5. Pay attention to the channels for sneeze guard (1) lighting cables.
6. Connect the lighting power cord with the designated plug.

Assembly of tray slides

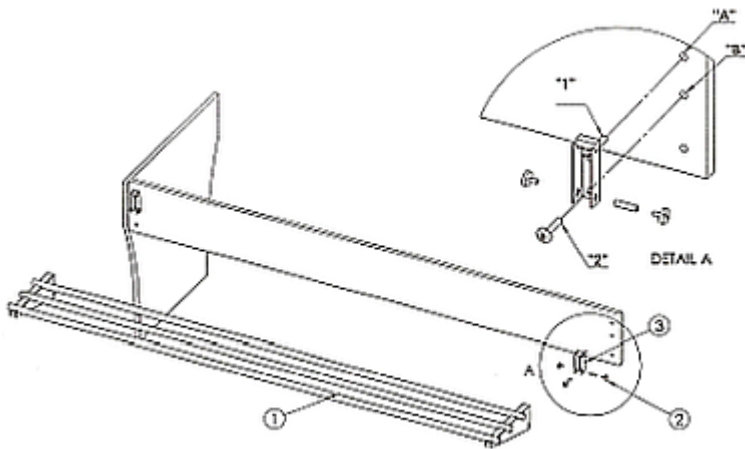


Fig. 4

1. To assemble the support ③ (Fig. 4) of the tray slide, use 'A' and 'B' holes (the 1st and 2nd hole from the top in the wooden panel).
2. First, remove the guards from the holes.
3. Assemble the support ③ on the wooden panel, by screwing together the '1' screw with the 'A' hole and the '2' screw with the 'B' hole.
4. Fit the tray slide ① onto the supports and fix it with the enclosed distance screw ②.
5. If needed, the tray slide may be folded (Fig. 5).

EN



Fig. 5

Power supply connection

- Verify if technical data of the appliance (see rating plate) correspond with the local electric power grid specification.
- Connect the appliance to a single, properly grounded mains socket with protective contact. Do not connect the appliance to a multi-socket.
- The power cord should be laid in a way preventing anyone from threading on it or tripping against it.
- Prior to first use, the appliance should be installed and left standing upright for at least 2 hours, before it is connected to power supply.
- After a power failure or when the plug is removed from the socket, do not reconnect the appliance to power supply for at least 5 minutes.

5.2 Operation

Tips for the user

- Do not place any heavy objects on the sneeze guard (for example, do not place a stack of plates).
- To place the utensils, etc., use the bottom working surfaces and shelves.
- Cool warm food products down to ambient temperature before placing them the appliance.

EN

Preparation of the appliance

1. Prior to first operation, clean the appliance and its equipment according to instructions in section **6 "Cleaning"**.
2. Make sure the drain tap is closed.
3. Set the temperature control knob in position '4'.
4. Switch the appliance on with the ON/OFF switch.

The green indicator light in the ON/OFF switch lights up.

5. If needed, switch the lighting on the sneeze guard, using a suitable switch.
6. Wait for approx. 40 minutes, and then check if the appliance reach the right temperature.

The needed food products may be put in the appliance in suitable GN containers only when the appliance reaches suitable temperature.

Control panel

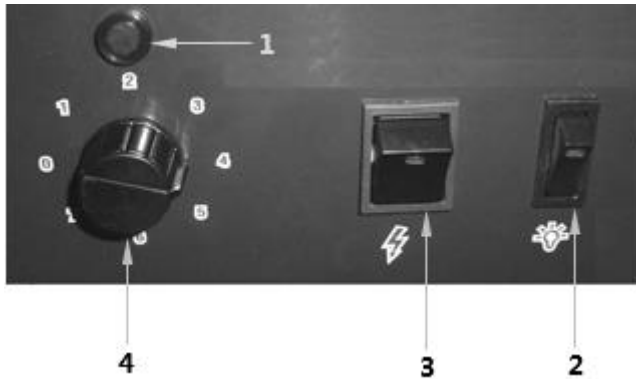


Fig. 6

1. Indicator light
2. Lighting switch
3. ON/OFF switch
4. Temperature controller

EN

Settings

- Using the rotary temperature control knob set the required temperature level (1 - 7).

When the temperature level is set, the green operation indicator light is lit. As soon as the set temperature is reached, the indicator light goes off and lights up again, when the temperature of the GN containers basin rises.

- If the appliance is not to be used for a longer period of time, set the temperature controller to '0' position, switch the appliance off with the ON/OFF rocker switch and disconnect it from the mains (pull the plug out).

Switching the appliance off

1. When the appliance is not to be used any more, it should be switched off with the ON/OFF switch at the operating side of the appliance.
2. Disconnect the appliance from power supply by pulling the plug out.

6 Cleaning

6.1 Safety Instructions for cleaning

- Before cleaning, disconnect the appliance from the power supply.
- Leave the appliance to cool down completely.
- Make sure water does not enter the appliance. Do not immerse the appliance in water or other liquids during cleaning. Do not clean the appliance with a pressurized water jet.
- Do not use any sharp or pointed, nor metal implements (knife, fork, etc.). Sharp or pointed implements may damage the appliance, and when in contact with live parts, they may cause electric shock.
- For cleaning, do not use any scouring agents that contain solvents nor corrosive cleaning agents. They may damage the surface.

EN

6.2 Cleaning

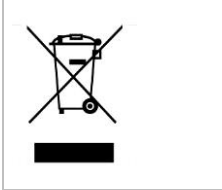
1. Clean the appliance regularly at the end of a working day.
2. Remove the GN containers before your start cleaning.
3. Wash the GN containers regularly and thoroughly in warm water with a soft cloth and a mild cleaning agent.
4. Rinse the GN containers with clean water and then dry.
5. Clean the body, worktops and shelves with a soft, damp cloth and dry thoroughly.

Lime scale from water may deposit in the GN containers basin.

6. Fit the supplied water drain hose on the water drain tap under the GN containers basin.
7. Open the water drain tap and drain the water.
8. Clean the GN containers basin with a soft, damp cloth and dry it thoroughly at the end.

7 Disposal

Electrical appliance



Electric appliances are marked with this symbol. Electrical appliances must be disposed of and recycled in a correct and environmentally friendly manner. You must not dispose of electric appliances with household waste. Disconnect the appliance from the power supply and remove power cord from the appliance.

Electrical appliances should be returned to designated collection points.

Coolant

The propellant used in the appliance is flammable. It should be utilised pursuant to national regulations in force.