

IS 31LS-W



850011

ENGLISH

Table of contents

1. Safety 18
1.1 Key to symbols 18
1.2 Safety instructions 19
1.3 Use as intended 22
1.4 Use against the intended purpose 22

2. General information 23
2.1 Liability and Warrantees 23
2.2 Copyright protection 23
2.3 Declaration of conformity 23

3. Transport, packaging and storage..... 24
3.1 Delivery check 24
3.2 Packaging..... 24
3.3 Storage..... 24

4. Technical data 25
4.1 Overview of parts 25
4.2 Technical specification 26

5. Installation and operation..... 27
5.1 Installation 27
5.2 Operation..... 30

7. Waste disposal 32

Bartscher GmbH
Franz-Kleine-Str. 28
33154 Salzkotten
Germany

phone: +49 5258 971-0
fax: +49 5258 971-120
Service-Hotline: +49 5258 971-197
www.bartscher.com



Read this instruction manual before using and keep them available at all times!

This instruction manual contains information about the installation, operation and maintenance of the device and should be consulted as an important source of information and reference guide.

Awareness of the safety instructions and instructions for use in this manual will ensure the safe and correct use of the device.

In addition to the information given here, you should comply with any local Health and safety Controls and generally applicable safety regulations.

The instruction manual forms part of the product and should be kept near the device and easily accessible for anyone carrying out the installation, servicing, maintenance or cleaning.

Please keep these instructions and give them to future owners of the device.

1. Safety

This device is designed in accordance with the presently applicable technological standards. However, the device can pose a danger if handled improperly and inappropriately.

All persons using the device must follow the recommendations and instructions in this instruction manual.

1.1 Key to symbols

In this manual, symbols are used to highlight important safety instructions and any advice relating to the device. The instructions should be followed very carefully to avoid any risk of accident, personal injury or material damage.



DANGER!

This symbol highlights hazards which could lead to injury.



WARNING!

This symbol highlights dangerous situations which could lead to injury or death.



CAUTION!

This symbol highlights dangerous situations which could lead to light injuries, or damage, malfunction, and/or destruction of the device.



NOTE!

This symbol highlights recommendations and information aimed for effective and trouble-free device operation.

1.2 Safety instructions

- The device can be used by children **8 years and up**, as well as by people with disabilities and those with limited experience/knowledge as long as they are under supervision or have been instructed on proper use of the device and its possible dangers. **Children** should not play with the device. Cleaning and **maintenance cannot be performed by children** younger than 8 years old and must be done under supervision. **Children under the age of 8 years old** must be kept away from the device and its power cord.
- Prevent access of children to the package materials like plastic bags and foamed polystyrene elements. **Suffocation hazard!**
- Only use the device indoors.
- The device must be operated in correct and safe technical condition only. In case of operational problems disconnect the device from the power supply (pull the plug from the socket) and contact the service company.

- Only a qualified technician and using original spare parts and accessories should carry out repairs and maintenance of the device. **Do not attempt to repair the device yourself.**
- Do not use any accessory or spare parts that have not been recommended by the manufacturer. These can be dangerous for the user or lead to damages of the device or personal injury, and further, the warranty expires.
- To prevent hazards and to ensure optimum efficiency, no modifications or alterations to the device that are not explicitly approved by the manufacturer may be undertaken.



DANGER! Electric shock hazard!

To avoid the hazard results please follow the instructions below.

- Never allow the power cable to come into contact with heat sources or sharp edges. The power cable should not hang over the side of the working surface. Ensure that no one can step on or trip over the cable.
- The power cable must not be folded, bent or tangled, and must always remain fully unrolled. Never place the device or other objects on the power cable.
- Do not cover the cable. Keep away the cable from operating range and do not immerse it into water.

- Check the power cord regularly for damage. Do not use the appliance if the power cord is damaged. If this cable is damaged, it must be replaced by customer service or a qualified electrician in order to avoid dangers.
- The supply cable must be disconnected from the socket only by pulling the plug.
- Never carry or lift the device by the supply cable.
- In any case do not open the device housing. In case of electrical or mechanical modifications the **electric shock hazard will occur**.
- Do not use any acid agents and make sure no water ingresses the device.
- Remove the plug from its socket:
 - when the device is not used,
 - in case of anomalies during operation,
 - before cleaning.

1.3 Use as intended

Every use of the device for a different purpose and/or in a way that diverges from the intended use is not allowed and is assumed as the use against the intended purpose.

Any claims against the manufacturer or their authorized representatives as a consequence of experiencing damage resulting from the use against the intended purpose are inadmissible.

The liability for damage occurred during the use of the device against its intended purpose is borne solely and exclusively by the user.

Safety operation of the device is guaranteed only when it is used for its intended purpose and according to the instructions included in this manual.

The hand dryer is foreseen only for drying hands.

The device is suitable for operation in bathrooms, toilets and kitchens.

1.4 Use against the intended purpose

Any use other than those mentioned in point “**1.3 Use as intended**“ is assumed as the use against the intended purpose and is not allowed.

The use against the intended purpose may lead to severe injury or damage caused by hazardous voltage, fire or high temperature. It is allowed to use the device to perform only the work described in the instruction manual. Improper use may cause the device damage.

Any manipulation with the device, assembly or maintenance work may be performed exclusively by the authorized service staff.

Do not use the hand dryer close to a bath, shower or pool.

2. General information

2.1 Liability and Warrantees

All the information and instructions in this manual take into account standard safety regulations, current levels of technical engineering as well as the expertise and experience we have developed over the years.

The instruction manual was translated with all due care and attention. However, we do not accept liability for any translation errors. The German version of this instruction manual is definitive.

If the delivery consists of a special model, the actual scope of delivery may differ from the descriptions and illustrations in this manual. This is also the case for special orders or when the device has been modified in line with new technology.



CAUTION!

Read this manual carefully and thoroughly before any operation of the device, and especially before turning it on!

Manufacturer **is not liable** for any damages or faults caused by:

- violation of advice concerning operation and cleaning;
- use other than designed;
- alterations made by user;
- use of inadequate spare parts.

We reserve the right to make technical changes for purposes of developing and improving the useful properties.

2.2 Copyright protection

The instruction manual including any texts, drawings, images or other illustrations is copyright. No part of this publication may be reproduced, transmitted or used in any form or by any means without permission in writing from the manufacturer. Any person who commits any unauthorized act in relation to this publication shall be liable to claims for damages. All rights reserved.



NOTE!

The contents, texts, drawings, pictures and any other illustrations are copyright and subject to other protection rights. Any person unlawfully using this publication is liable to criminal prosecution.

2.3 Declaration of conformity



The device complies with the current standards and directives of the EU. We certify this in the EC declaration of conformity. If required we will be glad to send you the according declaration of conformity.

3. Transport, packaging and storage

3.1 Delivery check

Please check the delivery upon completeness and transport damage immediately after receipt. In case of visible damage do not accept or accept the delivery with reservation only.

Note the extent of damage on the carrier's bill of delivery. Trigger off the complaint.

Hidden damages should be reclaimed immediately after notice, as claims for damages can only be asserted within the effective period for complaints.

3.2 Packaging

Please do not throw away the covering carton of your device as it might be useful for storage purposes, when moving or, in case of damages, when the device must be sent back to a repair center. The outer and inner packing material should be removed completely from the device before installation.



If you liked to dispose the packing, consider the regulations applicable in your country. Supply re-usable packing materials to the recycling.

Please inspect the device upon completeness. In case any part is missing please contact our customer service center immediately.

3.3 Storage

Keep the package closed until installation and under consideration of the outside indicated positioning- and storage markings.

Packages should be stored under consideration of the following:

- do not store outdoors,
- keep it dry and dust-free,
- do not expose it to aggressive media,
- do not expose it to direct sunlight,
- avoid mechanical shocks and vibration,
- in case of longer storage (> 3 months) make sure you check the state of the packaging and the parts regularly, if required refresh or renew.

4. Technical data

4.1 Overview of parts

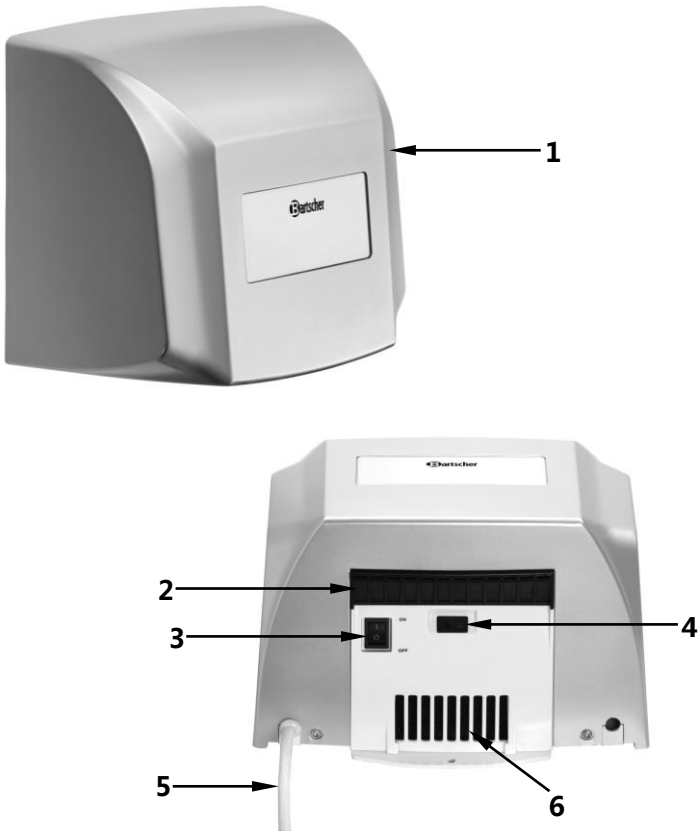


Fig. 1

- 1** Body
- 2** Air outlet vents
- 3** ON/OFF switch
- 4** Infrared sensor
- 5** Power cable
- 6** Ventilation slots

4.2 Technical specification

Name	Hand dryer IS 31LS-W
Code no.:	850011
Material:	Plastic
Colour:	Grey
Model:	<ul style="list-style-type: none">▪ Wall-mounted▪ Air supply: 31.67 litres/ sec.▪ Air temperature: approx. 80 °C▪ Max. drying time: approx. 60 seconds▪ Automatic start/stop thanks to infrared sensor▪ ON/OFF switch▪ Properties: automatic shut-off when the hands are removed
Power:	1.35 kW / 220-240 V 50/-60 Hz
Dimensions:	W 250 x D 170 x H 240 mm
Weight:	3.6 kg
Accessories:	Mounting materials

We reserve the right to make technical changes!

5. Installation and operation

5.1 Installation

Unpacking

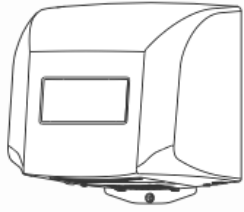




- Unpack the device and remove the packing material, according to the environmental regulations.



CAUTION!

Never remove the rating plate or any warning signs from the appliance.

- Check the scope of supply using the following table.

No.	Diagram	Description	Count
1		Hand dryer	1
2		Wall holder	1
3		Four 3.8*30 screws for mounting the wall holder One 3.8*30 screw for mounting the housing	5
4		8*35 mm plug	5
5		Operating manual	1

Installation

- Prepare everything for assembly of the device.
- If possible, install the hand dryer so that it would be located along the path between the hand wash basin and the exit from the room, to save users the trouble of having to unnecessarily walk to it.
- Avoid installing the device in hard-to-reach areas, wherever it could interfere or where it could be hit by a door being opened.
- Hang the device so that the cable plug is available to quickly disconnect the device from the electric power supply, should such a need arise.
- Do not install the device close to an open fire, electric furnaces/ ovens, heaters or any other sources of heat.
- Make sure that the outlet air openings and ventilation openings are not covered or blocked by other objects.
- Choose a suitable location on the wall. During assembly, maintain the distances indicated below.
- Make sure that the hand dryer is mounted horizontally.

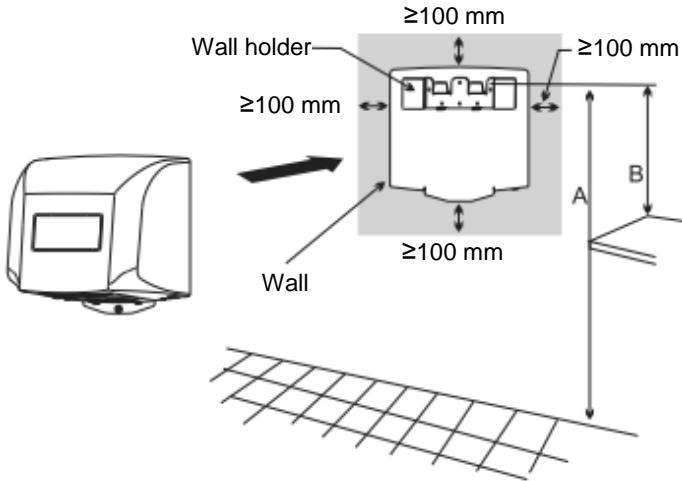


Fig. 2

Recommended installation height

(A) Toilet	Men	1220 mm
	Women	1170 mm
(B) Wash basin		500 mm

- Using the attached wall grips, mark on the wall the openings to be drilled as well as the opening to be drilled to mount the housing. Note the information indicated in fig. 3.
- Make the openings and place the plugs in them. Then, using the attached screws, screw the wall holder to the wall.

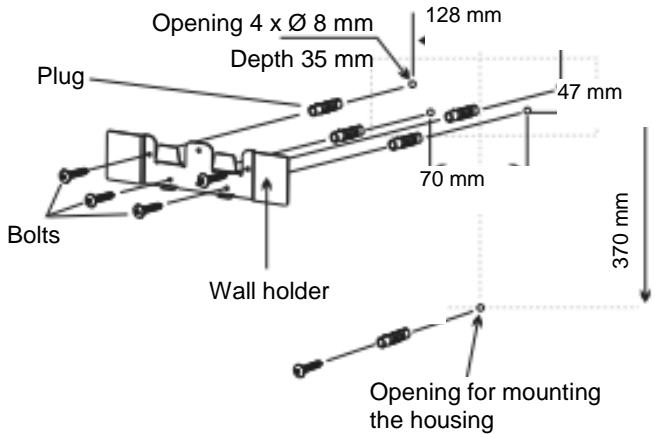


Fig. 3

- Hand the hand dryer on the wall holder (fig. 4).
- Make sure that the supply cable is never crushed by the unit.
- In the end, fix the device housing to the wall using the attached screws.

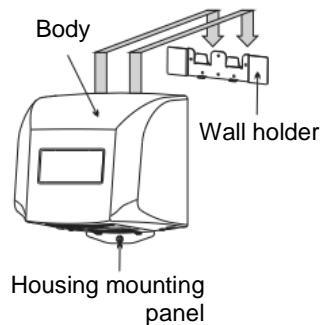


Fig. 4

Connection



DANGER! Electric shock hazard!

The device can cause injuries due to improper installation! Before installation and connecting the local power grid specification should be compared with that of the device (see rating plate). Connect the device only in case of compliance!

- The power supply circuit with the socket must be protected by the fuse of at least 16A. Connect the device directly to a single grounded socket. Do not use any power bar or multiple socket.

5.2 Operation

- Connect the device to a single grounded socket.
- Switch on the device, pressing for this purpose the on/ off switch on the underside of the unit so that it is in the „I“ position. The device is ready for use.



Fig. 5

- To dry hands, hold them under the hand dryer (fig. 6)
- As soon as the hands are placed ca. 50 - 200 mm from the underside of the hand dryer, the infrared sensor is actuated and the device switches on.
- Warm air is expelled from the outlet openings and dries the hands. The air temperature is approx. 80 °C.
- The total drying time when the infrared sensor is activated is approx. 60 seconds.
- When the hands are removed from under the unit, the infrared sensor is deactivated and the unit shuts off automatically.



Fig. 6

- If the device is not to be used for a longer period of time, switch the on/ off switch to the „O“ position and disconnect the device from the power supply (pull the plug!).

6. Cleaning



WARNING!

Before beginning cleaning, switch off the unit using the on/ off switch (set it to „O”) and disconnect it from the power supply (pull the plug!).

**The device is not suited for direct washing via water jets!
Protect the device from water penetration.**



CAUTION

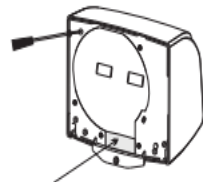
Never use aggressive, bleaching cleaners, thinners or sprays.

Never use flammable cleaning agents (ethanol, petrol, etc.), because if the device is restarted, the risk of a fire or an explosion would be higher.

Do not use any abrasive or scouring cleaning agents, and never use steel wool, metal/ synthetic material cleaning sponges or similar products with an abrasive surface.

- Clean the device regularly.
- Clean the housing of the device using a soft, moist cloth and disinfecting product.
- Clean the infrared sensor and always maintain its cleanliness, as a dirty sensor may stop working.
- The outlets for air and the ventilation openings under the device must be regularly cleaned using a soft cleaning brush or vacuum cleaner.
- After cleaning, use a soft, dry cloth to wipe dry and polish the surface.

- Regularly (once-twice a month) check the sponge filter on the back side of the device. For this purpose, unscrew the back cover and if necessary clean the filter with a vacuum cleaner.



Back cover

Fig. 7

Storing of the device

- If the device is not used for a longer time, clean it thoroughly according to the instructions above and store it in a dry, clean place, protected from cold, sunlight, and children. Do not place any heavy objects on the device.

7. Waste disposal

Old devices



The electric devices are marked with this symbol. You must not dispose of electric devices with household waste. When the device may not be longer used each consumer is obliged to dispose of the device at the dedicated local collection point, separately from household waste.



NOTE!

Electric devices should be used and disposed of properly to prevent the impact on the environment.

- Disconnect the device from the power supply and remove the power cord from the device.