

9L



200073

ENGLISH

Table of contents

1. Safety 20
1.1 Key to symbols 20
1.2 Safety instructions 21
1.3 Use as intended 25
1.4 Use against the intended purpose 25

2. General information 26
2.1 Liability and Warrantees 26
2.2 Copyright protection 26
2.3 Declaration of conformity 26

3. Transport, packaging and storage..... 27
3.1 Delivery check 27
3.2 Packaging..... 27
3.3 Storage..... 27

4. Technical data 28
4.1 Overview of parts 28
4.2 Technical specification 29

5. Installation and operation..... 30
5.1 Installation 30
5.2 Operation..... 31

6. Cleaning and descaling 34

7. Waste disposal 36

Bartscher GmbH
Franz-Kleine-Str. 28
33154 Salzkotten
Germany

phone: +49 5258 971-0
fax: +49 5258 971-120
Service-Hotline: +49 5258 971-197
www.bartscher.com



Read this instruction manual before using and keep them available at all times!

This instruction manual contains information about the installation, operation and maintenance of the device and should be consulted as an important source of information and reference guide.

Awareness of the safety instructions and instructions for use in this manual will ensure the safe and correct use of the device.

In addition to the information given here, you should comply with any local Health and safety Controls and generally applicable safety regulations.

The instruction manual forms part of the product and should be kept near the device and easily accessible for anyone carrying out the installation, servicing, maintenance or cleaning.

Please keep these instructions and give them to future owners of the device.

1. Safety

This device is designed in accordance with the presently applicable technological standards. However, the device can pose a danger if handled improperly and inappropriately.

All persons using the device must follow the recommendations and instructions in this instruction manual.

1.1 Key to symbols

In this manual, symbols are used to highlight important safety instructions and any advice relating to the device. The instructions should be followed very carefully to avoid any risk of accident, personal injury or material damage.



DANGER!

This symbol highlights hazards which could lead to injury.



WARNING!

This symbol highlights dangerous situations which could lead to injury or death.



HOT SURFACE!

This symbol is a warning that the device surface is hot when in use. Ignoring this warning may result in burns!



HOT STEAM!

This symbol indicates that during the operation the hot steam escapes from the device. Risk of scalding if safety instructions are not observed!



CAUTION!

This symbol highlights dangerous situations which could lead to light injuries, or damage, malfunction, and/or destruction of the device.



NOTE!

This symbol highlights recommendations and information aimed for effective and trouble-free device operation.

1.2 Safety instructions

- The device is not intended for use by individuals (including children) with physical or mental disabilities, insufficient experience, and/or insufficient knowledge unless such persons are under the care of a person responsible for their safety or have received instructions regarding appropriate use of the device.
- Children should be observed to ensure that they are not playing with or starting the device.
- Prevent access of children to the package materials like plastic bags and foamed polystyrene elements. **Suffocation hazard!**
- **Never** leave the device unattended when in use.
- Only use the device indoors.

- The device must be operated in correct and safe technical condition only. In case of operational problems disconnect the device from the power supply (pull the plug from the socket) and contact the service company.
- Only a qualified technician and using original spare parts and accessories should carry out repairs and maintenance of the device. **Do not attempt to repair the device yourself.**
- Do not use any accessory or spare parts that have not been recommended by the manufacturer. These can be dangerous for the user or lead to damages of the device or personal injury, and further, the warranty expires.
- To prevent hazards and to ensure optimum efficiency, no modifications or alterations to the device that are not explicitly approved by the manufacturer may be undertaken.



DANGER! Electric shock hazard!

Follow the safety instructions below to avoid the hazard:

- Never allow the power cable to come into contact with heat sources or sharp edges. The power cable should not hang over the side of the working surface. Ensure that no one can step on or trip over the cable.
- The power cable must not be folded, bent or tangled, and must always remain fully unrolled. Never place the device or other objects on the power cable.
- Do not cover the cable. Keep away the cable from operating range.

- Check the power cord regularly for damage. Do not use the appliance if the power cord is damaged. If this cable is damaged, it must be replaced by customer service or a qualified electrician in order to avoid dangers.
- The supply cable must be disconnected from the socket only by pulling the plug.
- Never carry or lift the device by the supply cable.
- In any case do not open the device housing. In case of electrical or mechanical modifications the **electric shock hazard will occur**.
- Never immerse the appliance, the power cord and the power plug in water or other liquids.
- Do not use any acid agents and make sure no water ingresses the device.
- **Never** operate the device with moist hands or standing on wet floor.
- Remove the plug from its socket:
 - when the device is not used,
 - in case of anomalies during operation,
 - before cleaning.



HOT SURFACE! Burn hazard!

Follow the safety instructions below to avoid the hazard:

- The tank surface gets very hot when the device is in use! In order to avoid burns of fingers and hands do not touch hot surfaces of the device! During operation touch only handles and switches designed for such purpose.

- The surface and water in the tank are hot for some time also after turning the device off, leave it for cooling down before cleaning or moving.



HOT STEAM! Risk of burns!

Follow the safety instructions below to avoid the hazard:

- Follow the maximum filling capacity! Overfilling may lead to hot water leaks and burns!
- Never remove the lid during boiling! The released hot steam may cause burns of hands, arms, and face.



WARNING! Health hazard due to germs!

Follow the safety instructions below to avoid the hazard:

- The water tank must be regularly emptied out and disinfected to eliminate the possibility of accumulation of harmful and dangerous germs.



CAUTION!

In order to avoid any damage to the device follow the instructions below:

- **Never** wash the device or its elements in the dishwasher.
- Do not use any sharp objects or abrasive cleaning agents for surface cleaning.
- Do not turn the device on if there is no water in the tank.

1.3 Use as intended

Every use of the device for a different purpose and/or in a way that diverges from the intended use is not allowed and is assumed as the use against the intended purpose.

Any claims against the manufacturer or their authorized representatives as a consequence of experiencing damage resulting from the use against the intended purpose are inadmissible.

The liability for damage occurred during the use of the device against its intended purpose is borne solely and exclusively by the user.

Safety operation of the device is guaranteed only when it is used for its intended purpose and according to the instructions included in this manual.

The device is intended for home use or in similar places such as:

- in kitchens for store or office employees or in similar business areas;
- in agricultural farms;
- by guests of hotels, motels and other typical places of accomodation;
- in Bed and Breakfast facilities.

The hot water dispenser is intended only for boiling and heating water.

1.4 Use against the intended purpose

Any use other than those mentioned in point “**1.3 Use as intended**“ is assumed as the use against the intended purpose and is not allowed.

The use against the intended purpose may lead to severe injury or damage caused by hazardous voltage, fire or high temperature. It is allowed to use the device to perform only the work described in the instruction manual. Improper use may cause the device damage.

Any manipulation with the device, assembly or maintenance work may be performed exclusively by the authorized service staff.

2. General information

2.1 Liability and Warrantees

All the information and instructions in this manual take into account standard safety regulations, current levels of technical engineering as well as the expertise and experience we have developed over the years.

The instruction manual was translated with all due care and attention. However, we do not accept liability for any translation errors. The German version of this instruction manual is definitive.

If the delivery consists of a special model, the actual scope of delivery may differ from the descriptions and illustrations in this manual. This is also the case for special orders or when the device has been modified in line with new technology.



CAUTION!

Read this manual carefully and thoroughly before any operation of the device, and especially before turning it on!

Manufacturer **is not liable** for any damages or faults caused by:

- violation of advice concerning operation and cleaning;
- use other than designed;
- alterations made by user;
- use of inadequate spare parts.

We reserve the right to make technical changes for purposes of developing and improving the useful properties.

2.2 Copyright protection

The instruction manual including any texts, drawings, images or other illustrations is copyright. No part of this publication may be reproduced, transmitted or used in any form or by any means without permission in writing from the manufacturer. Any person who commits any unauthorized act in relation to this publication shall be liable to claims for damages. All rights reserved.



NOTE!

The contents, texts, drawings, pictures and any other illustrations are copyright and subject to other protection rights. Any person unlawfully using this publication is liable to criminal prosecution.

2.3 Declaration of conformity



The device complies with the current standards and directives of the EU. We certify this in the EC declaration of conformity. If required we will be glad to send you the according declaration of conformity.

3. Transport, packaging and storage

3.1 Delivery check

Please check the delivery upon completeness and transport damage immediately after receipt. In case of visible damage do not accept or accept the delivery with reservation only.

Note the extent of damage on the carrier's bill of delivery. Trigger off the complaint.

Hidden damages should be reclaimed immediately after notice, as claims for damages can only be asserted within the effective period for complaints.

3.2 Packaging

Please do not throw away the covering carton of your device as it might be useful for storage purposes, when moving or, in case of damages, when the device must be sent back to a repair center. The outer and inner packing material should be removed completely from the device before installation.



If you liked to dispose the packing, consider the regulations applicable in your country. Supply re-usable packing materials to the recycling.

Please inspect the device upon completeness. In case any part is missing please contact our customer service center immediately.

3.3 Storage

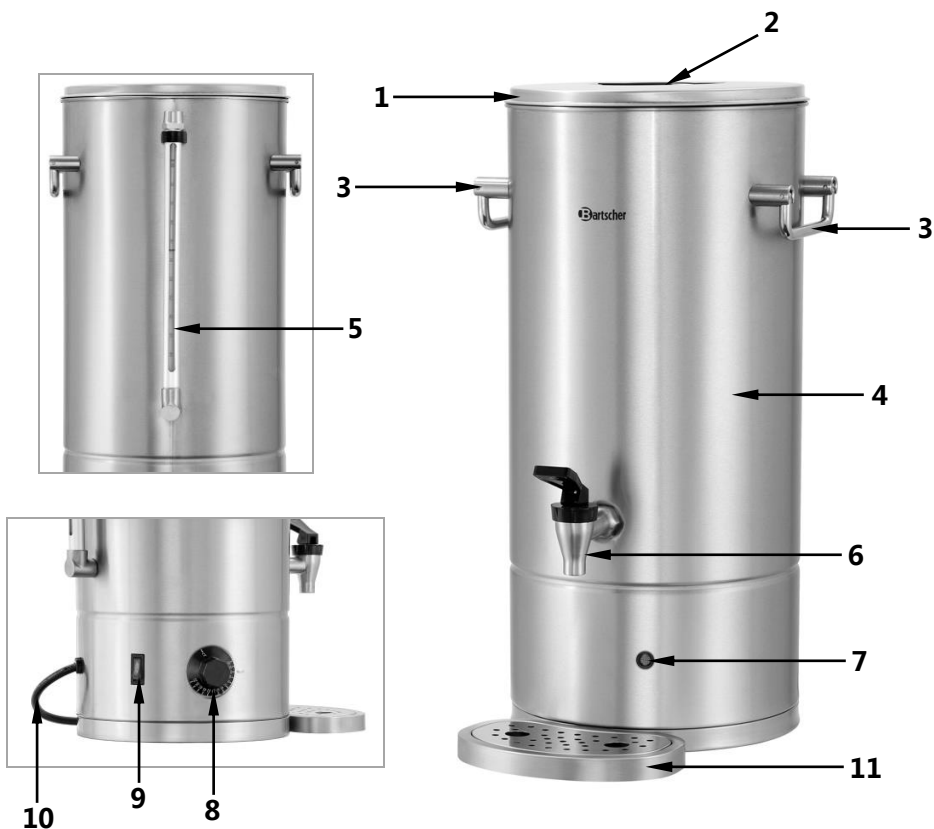
Keep the package closed until installation and under consideration of the outside indicated positioning- and storage markings.

Packages should be stored under consideration of the following:

- do not store outdoors,
- keep it dry and dust-free,
- do not expose it to aggressive media,
- do not expose it to direct sunlight,
- avoid mechanical shocks and vibration,
- in case of longer storage (> 3 months) make sure you check the state of the packaging and the parts regularly, if required refresh or renew.

4. Technical data

4.1 Overview of parts



- | | |
|--------------------------------|----------------------------------------|
| 1 Lid | 7 Heating control lamp (orange) |
| 2 Lid handle | 8 Temperature control knob |
| 3 Tank handle | 9 ON/OFF switch |
| 4 Water tank | 10 Power cable |
| 5 Filling level display | 11 Drip tray with drip grid |
| 6 Outlet tap | |

4.2 Technical specification

Description	Hot water dispenser 9L
Code- No.:	200073
Material:	Device: stainless steel, plastic Lid: stainless steel
Colour:	silver
Model:	<ul style="list-style-type: none">▪ Temperature control: thermostatic, stepless▪ Double-walled▪ Filling level display▪ Safety thermostat:▪ Control: Knob▪ ON/OFF switch▪ Indicator lights:<ul style="list-style-type: none">- ON/OFF- Heating▪ Features:<ul style="list-style-type: none">- Detachable drip tray (clearance height 145 mm)- Condensation sheet under the lid- Folding handles
Capacity:	9 litres
Temperature range:	30 °C to 95 °C
Power supply:	2.8 kW / 230 V 50/60 Hz
Dimensions:	W 305 x D 350 x H 490 mm
Weight:	4.6 kg

We reserve the right to implement the technical modifications!

Safety thermostat

- ❖ The device is equipped with the **safety thermostat (overheating protection)**. If the device is accidentally switched on with too little or no water and boils empty or there is a lime and scale build-up inside, the device will switch off automatically.

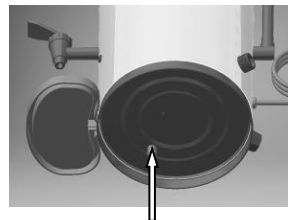
Disconnect the device from the power supply (pull the plug!) and wait for cooling down. Empty the water tank.

Unscrew the cap from the RESET pin of the safety thermostat at the bottom of the device and press it in. Tighten the cap again.

Fill in the water tank with drinking water and start the device as usual.

If necessary, descale the device according to the instructions in the section “Descaling”.

If the overheating status continues and the device does not work properly, contact the technical service.



RESET Pin

5. Installation and operation

5.1 Installation

Positioning

- Unpack the device, remove and dispose of all package material according to the environment protection regulations.



CAUTION!

Never remove the nameplate and warning signs from the device.

- Put the device on an even, stable, dry and waterproof surface which is resistant to high temperature.
- **Never** place the device on an inflammable surface.
- Do not place the device near open flame, electric heaters or other heat source.
- **Never** place the device at the edge of a table to avoid tilting or falling.
- **Never** put the device in a moist or wet area.
- When locating the device, make sure the power plug is easily accessible to immediately unplug the device, if necessary.

Connection



DANGER! Electric shock hazard!

The device can cause injuries due to improper installation! Before installation and connecting the local power grid specification should be compared with that of the device (see rating plate). Connect the device only in case of compliance!

- The power supply circuit with the socket must be protected by the fuse of at least 16A. Connect the device directly to a single grounded socket. Do not use any power bar or multiple socket.

5.2 Operation

- Before the first use wash the device according to instructions in section 6 “**Cleaning and descaling**”.

Filling with water

- Pour required amount of fresh water to the device (only up to “**MAX**” mark). The tank filling level may be read from the level indicator.
- It is important that **the potable water** is always present in the tank during the device operation. Do not fill the device with any non-potable liquids, like acids, lyes, oils, nitrates, etc.!



NOTE!

To reduce heating time and save energy, the tank may be filled with hot water. Time and energy are saved in such way!

- First, install the supplied condensation sheet (A) It prevents condensation of water under the lid during heating which might create a risk of scalding when removing the lid.
- Then place the lid on the water tank.

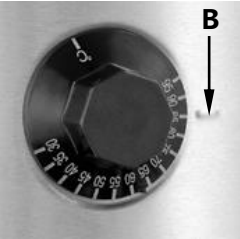




HOT STEAM! Risk of burns!

When removing the lid, avoid contact with the area around an opening in the condensation sheet. A hot steam may escape and burn your skin. Use protective gloves.

Water heating

- Connect the device to a single grounded socket. Switch the device on using ON/OFF switch located at the rear wall of the device.
 - Set the desired temperature using the temperature control knob. The temperature may be set within the range from 30 °C to 95 °C.
 - Turn the temperature control knob clockwise to the desired temperature to the setting marker (B) on the right side of the knob.
- 
- The orange heating control lamp will come on and will remain on during the entire heating phase. As soon as the water is heated to the set temperature, the orange control lamp goes off.
 - If the temperature in the water tank drops by ca. 10 °C, heating is activated again, the orange heating control lamp comes on and the water is heated to the set temperature.

Pouring of water / preparing beverages

- Use hot water to prepare various beverages, such as tea, instant coffee, chai latte or other instant beverages.
- Keep in mind that various types of tea required different water temperature. Follow the instructions on the packages.

- To use hot water put appropriate container (glass, cup, mug) under the drain tap.
- Press the tap lever down and hold it to receive required amount of water.
- Then release the lever, the tap will close automatically.



- At the installed drip tray you may place containers of the height up to 125 mm. If the drip tray is removed from the device (pull upwards from the device mounting), you may place containers of max. 145 mm in height.
- Control the tank fill level with use of indicator.



CAUTION!

**Monitor the water level regularly and add water if necessary.
Never use the device without water!**

- Before filling the tank with water again, turn the device off and disconnect from the power supply.



HOT SURFACE! Risk of burns!

Do not touch the hot device! Use only designated knob controllers and switches to operate the device.

- Carefully remove the lid using the handle, remove the condensation sheet and pour in the desired amount of water.
- Insert the condensation sheet into the device and place the lid before starting the device again.

Turning the device off

- After you have finished using the device, turn the temperature control knob counterclockwise to “0” mark, turn the device off using the ON/OFF switch and disconnect it from the power supply (pull the plug!).
- Wait for any remaining water in the tank to cool off, then pour it into another container using the drain tap and clean the device.

6. Cleaning and descaling



WARNING!

Before cleaning turn the device off using the ON/OFF switch and disconnect it from the power supply (pull the plug!).

Leave the device to cool off.

The device is not suited for direct washing via water jets.

Protect the device from water penetration.



CAUTION!

Never use any sharp objects, sharp or abrasive cleaning agents. They may damage the surface of the device.

Regular cleaning

- Clean the device after each use.
- Clean the lid and condensation sheet with running, warm water and then rinse with running water.
- Remove the drain tray and drain grid (pull upwards from the device mounting), empty and clean under the running water with mild cleaning agent, using a soft cloth. Rinse with clear water.
- Wipe dry the removed parts using a soft cloth.
- Wash the water tank interior with gentle washing agent and thoroughly rinse in running water. To clean the drain tap flush it with clean water.
- Wipe the external surfaces of the device with moist, soft cloth, use gentle cleaning agent when required.
- Dry the device with soft, clean cloth.

Descaling



CAUTION!

Failure to conduct regular descaling - in accordance with the instructions - may be the basis for rejecting complaints.

The warranty does not cover this type of complaint!

Descal the device regularly!

- Hard water may cause scaling in the water tank, thus extending the time needed to heat water and possibly causing damage of the device. **If possible, use filtered water to avoid scaling!**
- We recommend using citric acid or vinegar for ecological descaling. Prepare a solution of **water with vinegar (3:1 ratio)** or **water with citric acid (2 table spoons per 1 liter of water)** and fill the tank. Wait some time (ca. 1 hour), and then boil the solution.
- Wait for the device to cool off.
- After cooling, pour out the descaling solution and rinse the tank **several times** with clean water. Drain the clean water through the drain tap to thoroughly remove all scaling solution leftovers.
- Follow manufacturer's instructions if you choose to use other commercially available descaling products.

Storing of the device

- If the device is not used for a longer time, clean it thoroughly according to the instructions above and store it in a dry, clean place, protected from cold, sunlight, and children. Do not place any heavy objects on the device.

7. Waste disposal

Old devices



The electric devices are marked with this symbol. You must not dispose of electric devices with household waste. When the device may not be longer used each consumer is obliged to dispose of the device at the dedicated local collection point, separately from household waste.



NOTE!

Electric devices should be used and disposed of properly to prevent the impact on the environment.

- Disconnect the device from the power supply and remove the power cord from the device.