



**272107 - 272127 - 272147 - 272167 -
272187 - 272207 - 272109 - 272129 -
272149 - 272169 - 272179 - 272189 -
272209 - 272229**

Bartscher GmbH
Franz-Kleine-Str. 28
D-33154 Salzkotten
Germany

Phone: +49 5258 971-0

Fax: +49 5258 971-120

Technical Support Hotline: +49 5258 971-197

www.bartscher.com



Version: 1.0

Date of preparation: 2020-09-30

Original instruction manual

1	Safety	2
1.1	Explanation of Signal Words	2
1.2	Safety instructions	3
1.3	Intended Use	5
1.4	Unintended Use	5
2	General information	6
2.1	Liability and Warranty	6
2.2	Copyright Protection	6
2.3	Declaration of Conformity	6
3	Transport, Packaging and Storage	7
3.1	Delivery Check	7
3.2	Packaging	7
3.3	Storage	7
4	Technical Data	8
4.1	Technical Specifications	8
4.2	Functions of the Appliance	9
4.3	List of Components of the Appliance	10
5	Installation and operation	11
5.1	Installation	11
5.2	Operation	16
6	Cleaning and Maintenance	17
6.1	Safety Instructions for Cleaning	17
6.2	Cleaning	17
6.3	Maintenance	18
7	Possible Malfunctions	19
8	Disposal	20



Read this instruction manual before using and keep it available at all times!

This instruction manual contains information about installation, operation and maintenance of the appliance and constitutes an important source of information and reference guide. The knowledge of all operational and safety instructions included in this manual is a prerequisite for safe and proper handling of the appliance. Additionally, accident prevention, occupational health and safety, and legal regulations in force in the area the appliance is used apply.

Before you start using the appliance, especially before turning it on, read this instruction manual in order to avoid personal injuries and property damages. Improper use may cause damage.

This instruction manual forms an integral part of the product and must be stored in an immediate vicinity of the appliance and be available at all times. The instruction manual should be transferred together with the appliance.

1 Safety

EN

This appliance has been manufactured in accordance with technical standards currently in force. However, the appliance may be a source of hazards if used improperly or contrary to its intended purpose. All persons using the appliance must consider information included in this instruction manual and observe safety instructions.

1.1 Explanation of Signal Words

Important safety instructions and warning information are indicated in this instruction manual with appropriate signal words. You must strictly follow the instructions, to prevent accidents, personal injuries and property damages.



DANGER!

The signal word **DANGER** warns against hazards that lead to severe injuries or death if the hazards are not avoided.



WARNING!

The signal word **WARNING** warns against hazards that may lead to moderate or severe injuries or death if the hazards are not avoided.



CAUTION!

The signal word **CAUTION** warns against hazards that may lead to light or moderate injuries if the hazards are not avoided.

IMPORTANT!

The signal word **IMPORTANT** indicates possible property damages, which may occur if safety instructions are not observed.

NOTE!

The symbol **NOTE** indicates subsequent information and guidelines for the user on usage of the appliance.

1.2 Safety instructions

Electrical Current

- Too high a mains voltage or incorrect installation may cause electric shock.
- The appliance may be connected only if data on the rating plate correspond with the mains voltage.
- To avoid short-circuit, the appliance should be kept dry.
- If there are malfunctions during operation, disconnect the appliance from the power supply.
- Do not touch the appliance's plug with wet hands.
- Never take hold of the appliance if it has fallen into water. Immediately disconnect the appliance from the power supply.
- Any repairs or housing opening may be carried out by professionals and relevant workshops only.
- Do not transport the appliance, holding it by the power cord.
- Do not allow the power cord to come into contact with heat sources or sharp edges.
- Do not bend, pinch nor knot the power cord.

- Always completely unwind the power cord.
- Never place the appliance or other objects on the power cord.
- Always take hold of the plug to disconnect the appliance from the power supply.

- Check the power cord regularly for damage. Do not use the appliance if the power cord is damaged. If this cable is damaged, it must be replaced by customer service or a qualified electrician in order to avoid dangers.

Operating Personnel

- The appliance may only be operated by qualified personnel and trained specialist personnel.
- This appliance may not be operated by persons (including children) with limited physical, sensory or mental capabilities, nor by persons with limited experience and/or limited knowledge.
- Children should be supervised to ensure that they are not playing with or switching on the appliance.

EN

Improper Use

- Unintended or prohibited use may cause damage to the appliance.
- The appliance may only be used when its technical condition is flawless and allows for safe operation.
- The appliance may only be used when all connections are executed according to rules of law in force.
- The appliance may only be used when it is clean.
- Use only original spare parts. Never attempt to repair the appliance on your own.
- Do not introduce any changes in the appliance nor modify it.

1.3 Intended Use

As described below, every use of the appliance for a purpose differing and/or diverging from its intended standard use, is prohibited and considered to be an unintended use.

The following is an intended use:

- Venting and exhausting steams and vapours.

1.4 Unintended Use

An unintended use may lead to personal injuries or property damages caused by hazardous voltage, fire or high temperature. The appliance may only be used to perform tasks described in this instruction manual.

2 General information

2.1 Liability and Warranty

All information and instructions in this instruction manual account for legal regulations in force, current level of technical engineering knowledge as well as our expertise and experience, developed over the years. If special models or additional options are ordered, or state-of-the-art technical solutions were implemented, the actual scope of delivery of the appliance may, in some circumstances, differ from descriptions and numerous drawings in this instruction manual.

The manufacturer is not liable for any damages nor faults stemming from:

- failure to observe instructions,
- unintended use,
- technical alterations introduced by the user,
- usage of unapproved spare parts.

We reserve the right to introduce technical modifications to the product, intended for improvement of the appliance and its performance.

EN

2.2 Copyright Protection

This instruction manual, and texts, drawings and images included in it, as well as its other components are copyright protected. It is prohibited to reproduce this instruction manual (including its excerpts), in any form and by any means, and to use and/or transfer its content to third parties without manufacturer's written permission. Violation of the above results in obligation to pay compensation. We reserve the right to claim further damages.

2.3 Declaration of Conformity

The appliance meets the currently applicable standards and guidelines of the European Union. We confirm the above in the EC Declaration of Conformity. We may provide relevant Declaration of Conformity upon request.

3 Transport, Packaging and Storage

3.1 Delivery Check

Immediately upon reception, check the delivery for completeness and possible shipping damage. In the case of visible transport damage refuse to accept the appliance or accept it conditionally. Mark and note the scope of damage in shipping documents/consignment list of the shipping company and lodge a complaint. Concealed damage must be reported immediately upon its discovery, as compensation claims may only be filed within applicable time limits.

If you find that parts or accessories missing, please contact our Customer Service Department.

3.2 Packaging

Do not dispose of the appliance cardboard box. It may be used to store the appliance when relocating or when shipping the appliance to our service point in the case of any damages.

The packaging and its elements are made of recyclable materials. Particularly, these are: plastic films and bags, cardboard box.

When disposing of the packaging, observe applicable domestic regulations. Recyclable packaging materials should be recycled.

EN

3.3 Storage

Leave the packaging closed until installation of the appliance; observe external indications concerning method of placing and storage. Store the packaging in the following conditions only:

- in closed rooms;
- in dry and dust-free surrounding;
- away from aggressive agents;
- in a location protected against sunlight;
- in a location protected against mechanical shocks.

In the case of extended storage (over three months), make sure you check the condition of the packaging and the parts regularly. If needed, replace the packaging with a new one.

4 Technical Data

4.1 Technical Specifications

Extractor hood

Article No. / Model	Number of filters	Max. air throughput (m ³ /h)	Dimensions W x D x H (mm)	Weight (kg)
272107 700-W1000	2	880	1000 x 700 x 450	34
272127 700-W1200	2	1050	1200 x 700 x 450	42
272147 700-W1400	2	1230	1400 x 700 x 450	47
272167 700-W1600	3	1400	1600 x 700 x 450	52
272187 700-W1800	4	1600	1800 x 700 x 450	63
272207 700-W2000	4	1800	2000 x 700 x 450	70
272109 900-W1000	2	1135	1000 x 900 x 450	40
272129 900-W1200	2	1360	1200 x 900 x 450	45
272149 900-W1400	2	1580	1400 x 900 x 450	50
272169 900-W1600	3	1800	1600 x 900 x 450	58
272179 900-W1700	3	1928	1700 x 900 x 450	61
272189 900-W1800	4	2040	1800 x 900 x 450	64
272209 900-W2000	4	2270	2000 x 900 x 450	70
272229 900-W2200	4	2500	2200 x 900 x 450	76

We reserve the right to implement technical modifications.

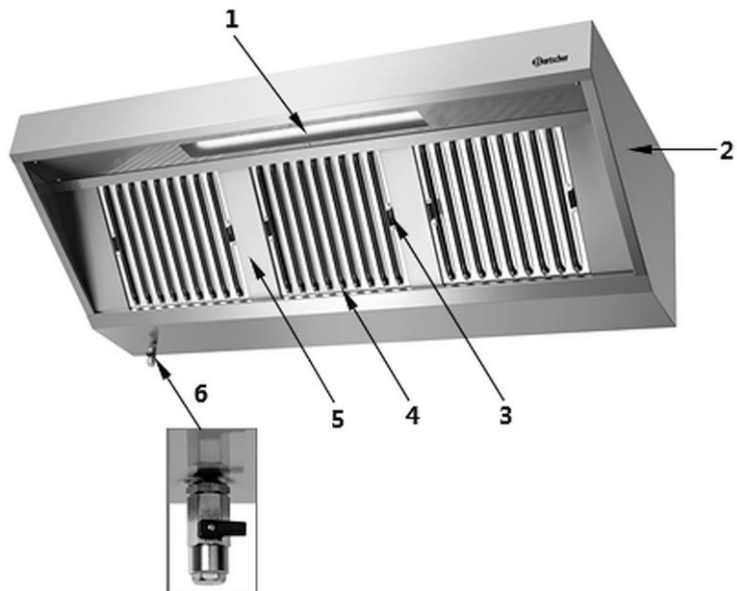
Version / Characteristics

- Material: High-grade stainless steel;
- Operating mode: Exhaust air
- Mounting type: Wall mounting
- Flame protection filter: Type A
- Filter material: Stainless steel
- Protection class: IP54
- Connected load: 0.008 kW / 230 V~ / 50–60 Hz
- Lighting:
 - LED
 - integrated by means of non-dazzle installation
 - with grease protection cover
- Lights: 1 x 8 W
- Filter bracket
- Welded-on grease collection channel with discharge tap
- Available on demand:
 - other dimensions
 - extractor hood with 1,100 mm depth
 - ceiling extractor hoods
- The set includes: installation bracket, eye bolts

4.2 Functions of the Appliance

Vapour extractor hoods are designed for venting as well as extracting steams and vapours that are generated during preparation of food. The appliances are adapted to wall mounting and equipped with LED lighting.

4.3 List of Components of the Appliance



EN

Fig. 1

1. LED lighting
2. Housing
3. Flame protection filter holder
4. Flame protection filter
5. Partition
6. Drain tap

5 Installation and operation

5.1 Installation



CAUTION!

Incorrect installation, positioning, operation, maintenance or misuse of the appliance may lead to personal injury or property damage.

Positioning and installation, as well as repairs may be performed by authorised technical service only and in compliance with the applicable national law.

NOTE!

The manufacturer disclaims all liability and provides no warranty for damages, which may be attributed to non-observance of regulations or incorrect installation.

Unpacking / Mounting

- Unpack the appliance, remove all external and internal packaging elements and shipment safeguards.



CAUTION!

Choking hazard!

Prevent children from accessing packaging materials, for instance: plastic bags and EPS elements.

- If the appliance is covered with a protective film, remove it. Remove the film slowly, so no glue residues are left. Remove any glue residues with the use of a suitable solvent.
- Be careful not to damage the rating plate and warning labels affixed to the appliance.
- The appliance should be installed in a room, in which ambient temperature falls in the range of +5°C – +60°C.
- Place the appliance in a manner making the connections easily accessible, so that they may be quickly disconnected if such a need arises.
- During installation, make sure ventilation openings are not covered nor blocked.
- Install the appliance in rooms with sufficient air circulation.

- When installing extractor hoods over gas or open-flame appliances, provide for sufficient air inflow.

Wall Mounting

The extractor hood must be located over an appliance (e.g. an oven, a grill plate, etc.).

The external side of the extractor hood must protrude 200–400 mm beyond a heating field.

The extractor hood must be located at the height of 1,900–2,000 mm over a floor and the distance to a heating field must be 1,000 mm.

The extractor hood is mounted to the wall with a specially enclosed installation brackets. During transportation, they are affixed to the housing of the appliance. Unscrew the installation brackets from the housing.

The location and number of installation brackets differ depending on the size of an appliance. The below figure presents a schematic view of the number and location of brackets in various models.

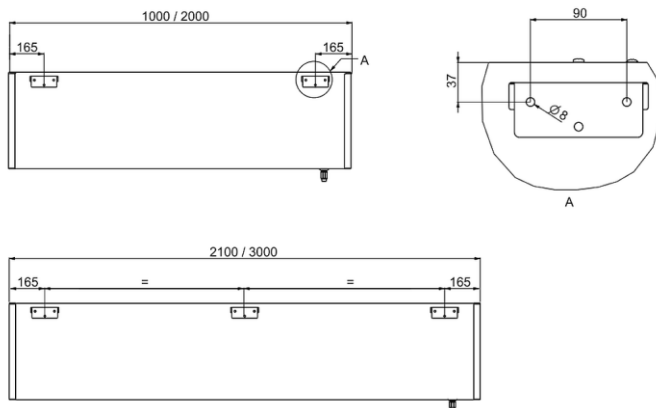


Fig. 2

1. Using information provided in the figure, mark points on the wall for boreholes.
2. Bore the holes.
3. Insert the studs into the bored holes.
4. Screw the appropriate number of installation brackets to the wall.
5. Hang the extractor hood on the installation brackets.

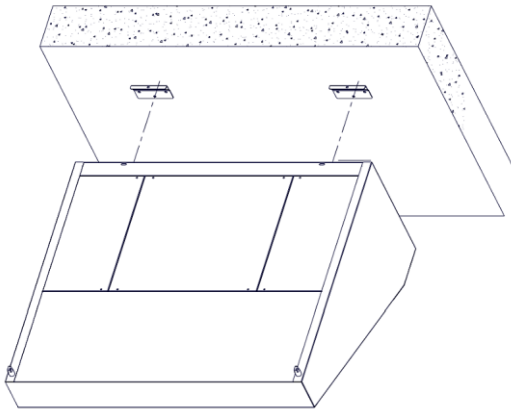


Fig. 3

EN

Ceiling Installing of Extractor Hoods

Check Fig. 4 to see how to safeguard the product for the purpose of additional stabilization.

NOTE!

In the case of 700 mm extractor hoods ceiling mounting is not required. Execute only wall mounting with the use of brackets.

1. For each fixing holder use M5 bolt, as presented in the figure (detail B).
2. Screw the enclosed eye bolts directly into the pre-prepared openings at the top edge of the extractor hood.
3. Anchor the front section of the extractor hood in the ceiling, using chains or cords (not in the set) and eye bolts (detail C).

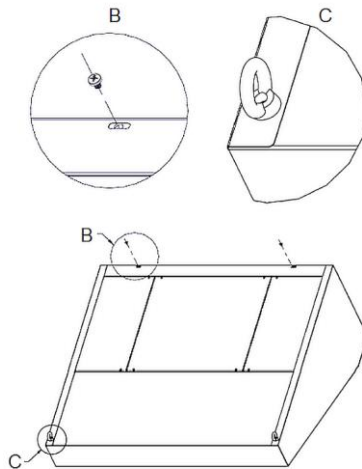


Fig. 4

EN Connection to Exhaust Air Installation

In extractor hoods without motors, the flow of exhausted air is controlled by means of an exhaust air installation, mounted behind the extractor hood. Pay attention to notes contained in the instruction manual of that installation.

Extractor hoods without motors are delivered without air outflow opening, thus they may be adapted to any needs.

1. Prepare an opening for a connector suitable for the connector to be used.
2. Connect the extractor hood to the exhaust air installation, which is designed for the proper throughput of air exhausted by the appliance.

Flame Protection Filters Installation

1. Unpack the delivered flame protection filters and, if needed, partitions.

Flame protection filters are fitted in a specially formed fat collection element. The internal profile of the extractor hood is formed in a way making it possible for condensate/fat to accumulate in the fat collection channel and are delivered to the drain tap.

2. After installing the extractor hood on the wall, fit the appliance with flame protection filters and partitions (if needed):

- use the holders to fit the flame protection filters in the top guide-rail of the available opening first, then move them upwards as far as possible and let them slide to the bottom guide-rail.
- fit the partition between flame protection filters.

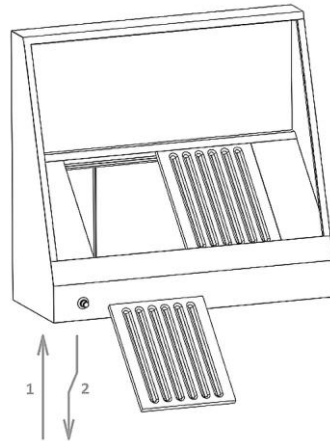


Fig. 5

EN

Drain Tap Installation

To facilitate transportation of the appliance, the drain tap is installed at the internal side of the housing.

1. Undo the drain tap.
2. Screw it to the external side of the housing.



Fig. 6

Power supply connection

- Verify if technical data of the appliance (see rating plate) correspond with the local electric power grid specification.
- Connect the appliance to a single, properly grounded mains socket with protective contact. Do not connect the appliance to a multi-socket.
- The power cord should be laid in a way preventing anyone from threading on it or tripping against it.
- The appliance is supplied with a connection cable without a plug.
- It is of utmost necessity to install proper disconnecter of all poles upstream of the appliance, so that — when needed — the appliance is quickly disconnected from power supply.
- Moreover, establish a correct grounding connection, according to safety regulations pertaining to electrical installation.

5.2 Operation

EN

Preparation of the Appliance

1. Before use, clean the appliance, observing instructions in section 6 '**Cleaning**'.
2. Dry the appliance thoroughly.

Operation of the Appliance

The extractor hood is switched on by the exhaust air installation. Vapours are vented during preparation of food and exhausted by the exhaust air installation.

1. Plug the LED lighting into a suitable single socket.
2. If needed, switch the LED lighting on, using the installed disconnecter.

Switching LED Lighting On

1. If the appliance is not being used, switch the LED lighting off, using the installed disconnecter.

6 Cleaning and Maintenance

6.1 Safety Instructions for Cleaning

- Before cleaning, disconnect the appliance from the power supply.
- Leave the appliance to cool down completely.
- Make sure water does not enter the appliance. Do not immerse the appliance in water or other liquids during cleaning. Do not clean the appliance with a pressurized water jet.
- Do not use any sharp or pointed, nor metal implements (knife, fork, etc.). Sharp or pointed implements may damage the appliance, and when in contact with live parts, they may cause electric shock.
- For cleaning, do not use any scouring agents that contain solvents nor corrosive cleaning agents. They may damage the surface.

6.2 Cleaning

Housing

1. Wash the appliance regularly.
2. Wipe the housing with a damp, soft cloth. Use mild cleaning agent if required.
3. For deposits, use plastic or wooden spatula.
4. Dry washed surfaces thoroughly afterwards.

EN

Flame Protection Filters

If the extractor hood is used daily, flame protection filters must be cleaned at least once a week.

1. For the purpose of cleaning, flame protection filters and partitions (should they be fitted) should be removed from the appliance.
2. Remove flame protection filters, holding them by a handle and moving them upwards, so that they slide out of the bottom guide-rail. Rotate the flame protection filters slightly downwards to remove them completely.
3. Flame protection filters and partitions (should they be fitted) should be washed in hot water bath with an alkaline cleaning agent or in a dish-washing machine.
4. If needed, remove deposits using a soft brush for dish-washing.
5. Thoroughly dry flame protection filters.

Re-assemble in reverse order.

Emptying Grease Collection Channel

1. Empty the grease collection channel daily.
2. Open the drain tap and drain entire fat/condensate into a suitable container.
3. Close the drain tap.

6.3 Maintenance

ATTENTION!

All maintenance works with the appliance must be performed by qualified personnel only.

To keep the appliance operational, it must be subject to maintenance at least twice a year. The maintenance includes:

- verification of the condition of wear-and-tear elements;
- verification of connections;
- verification of appliance operation.

EN

During maintenance, worn elements should be replaced to avoid subsequent service works and sudden failures of the appliance.

Additionally, we recommend signing an agreement for performance of maintenance works with a trusted and proven service company.

7 Possible Malfunctions

The table below contains descriptions of possible causes and solutions to malfunctions or errors during operation of the appliance. When malfunction cannot be removed, contact the technical service.

Error	Possible Cause	Solution
Appliance is not venting vapours	Appliance is not connected to the power supply	Connect the appliance correctly to the power supply
	Flame protection filter clogged	Remove the flame protection filter, clean it and reinstall in the appliance
LED light is not working	Faulty control system and external control	Check correct operation of individual appliances
	Incorrect light wiring	Contact the service company
	Incorrect light	Install correct light

8 Disposal

Electrical Appliance



Electric appliances are marked with this symbol. Electrical appliances must be disposed of and recycled in a correct and environmentally friendly manner. You must not dispose of electric appliances with household waste. Disconnect the appliance from the power supply and remove power cord from the appliance.

Electrical appliances should be returned to designated collection points.