

**CS1**



**150146**

Bartscher GmbH  
Franz-Kleine-Str. 28  
D-33154 Salzkotten  
Germany

Phone: +49 5258 971-0

Fax: +49 5258 971-120

**Technical Support Hotline:** +49 5258 971-197

[www.bartscher.com](http://www.bartscher.com)



Version: 3.0

Date of preparation: 2022-05-30

---

## Original instruction manual

1	Safety .....	2
1.1	Explanation of Signal Words .....	2
1.2	Safety instructions.....	3
1.3	Intended Use .....	5
1.4	Unintended Use .....	5
2	General information .....	6
2.1	Liability and Warranty .....	6
2.2	Copyright Protection .....	6
2.3	Declaration of Conformity .....	6
3	Transport, Packaging and Storage .....	7
3.1	Delivery Check.....	7
3.2	Packaging .....	7
3.3	Storage .....	7
4	Technical Data.....	8
4.1	Technical Specifications .....	8
4.2	List of Components of the Appliance .....	9
4.3	Functions of the Appliance.....	9
5	Installation and operation .....	10
5.1	Installation.....	10
5.2	Operation .....	11
6	Cleaning .....	14
6.1	Safety Instructions for Cleaning .....	14
6.2	Cleaning.....	15
7	Disposal.....	16



**Read this instruction manual before using and keep it available at all times!**

This instruction manual contains information about installation, operation and maintenance of the appliance and constitutes an important source of information and reference guide. The knowledge of all operational and safety instructions included in this manual is a prerequisite for safe and proper handling of the appliance. Additionally, accident prevention, occupational health and safety, and legal regulations in force in the area the appliance is used apply.

Before you start using the appliance, especially before turning it on, read this instruction manual in order to avoid personal injuries and property damages. Improper use may cause damage.

This instruction manual forms and integral part of the product and must be stored in an immediate vicinity of the appliance and be available at all times. The instruction manual should be transferred together with the appliance.

## 1 Safety

This appliance has been manufactured in accordance with technical standards currently in force. However, the appliance may be a source of hazards if used improperly or contrary to its intended purpose. All persons using the appliance must consider information included in this instruction manual and observe safety instructions.

### 1.1 Explanation of Signal Words

Important safety instructions and warning information are indicated in this instruction manual with appropriate signal words. You must strictly follow the instructions, to prevent accidents, personal injuries and property damages.



**DANGER!**

The signal word **DANGER** warns against hazards that lead to severe injuries or death if the hazards are not avoided.



**WARNING!**

The signal word **WARNING** warns against hazards that may lead to moderate or severe injuries or death if the hazards are not avoided.



### CAUTION!

The signal word **CAUTION** warns against hazards that may lead to light or moderate injuries if the hazards are not avoided.

### IMPORTANT!

The signal word **IMPORTANT** indicates possible property damages, which may occur if safety instructions are not observed.

### NOTE!

The symbol **NOTE** indicates subsequent information and guidelines for the user on usage of the appliance.

## 1.2 Safety instructions

### Electrical Current

- Too high a mains voltage or incorrect installation may cause electric shock.
- The appliance may be connected only if data on the rating plate correspond with the mains voltage.
- To avoid short-circuit, the appliance should be kept dry.
- If there are malfunctions during operation, disconnect the appliance from the power supply.
- Do not touch the appliance's plug with wet hands.
- Never take hold of the appliance if it has fallen into water. Immediately disconnect the appliance from the power supply.
- Any repairs or housing opening may be carried out by professionals and relevant workshops only.
- Do not transport the appliance, holding it by the power cord.
- Do not allow the power cord to come into contact with heat sources or sharp edges.
- Do not bend, pinch nor knot the power cord.
- Always completely unwind the power cord.
- Never place the appliance or other objects on the power cord.
- Always take hold of the plug to disconnect the appliance from the power supply.

- Check the power cord regularly for damage. Do not use the appliance if the power cord is damaged. If this cable is damaged, it must be replaced by customer service or a qualified electrician in order to avoid dangers.

### Operating personnel

- This appliance is not intended to be used by persons (including children) with limited physical, sensory or mental capabilities, nor by persons with limited experience and/or limited knowledge.
- Children should be supervised to ensure that they are not playing with or switching the appliance on.

### Supervised Usage only

- Only supervised appliance may be used.
- Always remain in an immediate vicinity of the appliance.

### Safety of Citrus Press Operation

- When removing or attaching components or if the appliance is not to be used for a long time, always switch it off using the ON/OFF switch (set to 'O' position) and disconnect it from the power supply (pull the plug out!).
- Keep hands, hair, clothing and cooking utensils away from moving parts of the appliance to avoid injury from moving parts and to exclude damage to the appliance.
- Never use the appliance if there are liquids on the motor block, if they have leaked into the motor block or if they have penetrated under the appliance.  
To avoid the risk of electric shock, fire or damage to the appliance, switch the appliance off using the ON/OFF switch (set to 'O' position) and disconnect it from the power supply (pull the plug out!).  
Clean the appliance observing indications in section '**Cleaning**' and dry the surface the appliance stands on.
- Do not move nor tilt the appliance during operation.

### Improper Use

- Unintended or prohibited use may cause damage to the appliance.
- The appliance may only be used when its technical condition is flawless and allows for safe operation.
- The appliance may only be used when all connections are executed according to rules of law in force.
- The appliance may only be used when it is clean.

## Safety

---

- Use only original spare parts. Never attempt to repair the appliance on your own.
- Do not introduce any changes in the appliance nor modify it.

### 1.3 Intended Use

As described below, every use of the appliance for a purpose differing and/or diverging from its intended standard use, is prohibited and considered to be an unintended use.

The following is an intended use:

- pressing citrus juice.

### 1.4 Unintended Use

An unintended use may lead to personal injuries or property damages caused by hazardous voltage, fire or high temperature. The appliance may only be used to perform tasks described in this instruction manual.

The following is an unintended use:

- Processing of unsuitable food products.

## 2 General information

### 2.1 Liability and Warranty

All information and instructions in this instruction manual account for legal regulations in force, current level of technical engineering knowledge as well as our expertise and experience, developed over the years. If special models or additional options are ordered, or state-of-the-art technical solutions were implemented, the actual scope of delivery of the appliance may, in some circumstances, differ from descriptions and numerous drawings in this instruction manual.

The manufacturer is not liable for any damages nor faults stemming from:

- failure to observe instructions,
- unintended use,
- technical alterations introduced by the user,
- usage of unapproved spare parts.

We reserve the right to introduce technical modifications to the product, intended for improvement of the appliance and its performance.

### 2.2 Copyright Protection

This instruction manual, and texts, drawings and images included in it, as well as its other components are copyright protected. It is prohibited to reproduce this instruction manual (including its excerpts), in any form and by any means, and to use and/or transfer its content to third parties without manufacturer's written permission. Violation of the above results in obligation to pay compensation. We reserve the right to claim further damages.

### 2.3 Declaration of Conformity

The appliance meets the currently applicable standards and guidelines of the European Union. We confirm the above in the EC Declaration of Conformity. We may provide relevant Declaration of Conformity upon request.



## 3 Transport, Packaging and Storage

### 3.1 Delivery Check

Immediately upon reception, check the delivery for completeness and possible shipping damage. In the case of visible transport damage refuse to accept the appliance or accept it conditionally. Mark and note the scope of damage in shipping documents/consignment list of the shipping company and lodge a complaint.

Concealed damage must be reported immediately upon its discovery, as compensation claims may only be filed within applicable time limits.

If you find that parts or accessories missing, please contact our Customer Service Department.

### 3.2 Packaging

Do not dispose of the appliance cardboard box. It may be used to store the appliance when relocating or when shipping the appliance to our service point in the case of any damages.

The packaging and its elements are made of recyclable materials. Particularly, these are: plastic films and bags, cardboard box.

When disposing of the packaging, observe applicable domestic regulations. Recyclable packaging materials should be recycled.

EN

### 3.3 Storage

Leave the packaging closed until installation of the appliance; observe external indications concerning method of placing and storage. Store the packaging in the following conditions only:

- in closed rooms;
- in dry and dust-free surrounding;
- away from aggressive agents;
- in a location protected against sunlight;
- in a location protected against mechanical shocks.

In the case of extended storage (over three months), make sure you check the condition of the packaging and the parts regularly. If needed, replace the packaging with a new one.

## 4 Technical Data

### 4.1 Technical Specifications

<b>Name:</b>	<b>Citrus Press CS1</b>
Art. No.:	<b>150146</b>
Material:	cast aluminium, stainless steel
Pressing cone material:	stainless steel
Juice container material:	stainless steel
Rotational speed (RPMs), max.:	980
Connected load:	0,23 kW   230 V   50/60 Hz
Dimensions (W x D x H), in mm:	220 x 330 x 375
Weight, in kg:	8,6

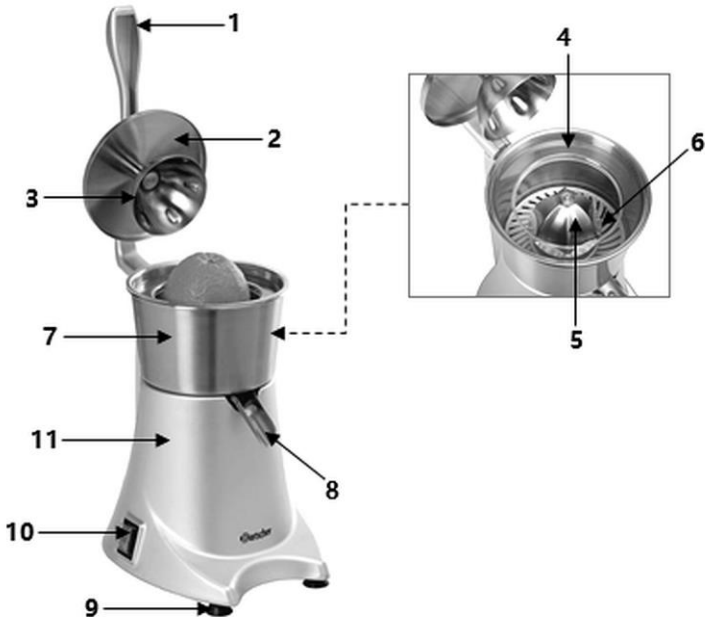
We reserve the right to implement technical modifications.

EN

#### Version / Characteristics

- ON/OFF switch
- Control:
  - electric
  - automatic activation through closing of lever arm
- Strainer: detachable, dishwasher-safe
- Juice container: detachable, dishwasher-safe
- Designed for: citrus fruits

## 4.2 List of Components of the Appliance



EN

Fig. 1

- |                      |                    |
|----------------------|--------------------|
| 1. Press lever       | 2. Fruit juice lid |
| 3. Press top section | 4. Splash-guard    |
| 5. Pressing cone     | 6. Strainer        |
| 7. Juice container   | 8. Juice spout     |
| 9. Suction cups      | 10. ON/OFF switch  |
| 11. Motor block      |                    |

## 4.3 Functions of the Appliance

The citrus press makes it possible to process any type of citrus fruits (e.g., lime, lemon, orange, grapefruit or pomegranate) and produce fruit juices.

## 5 Installation and operation

### 5.1 Installation

#### Unpacking / Positioning

- Unpack the appliance, remove all external and internal packaging elements and shipment safeguards.



#### CAUTION!

##### Choking hazard!

Prevent children from accessing package materials, for instance: plastic bags and EPS.

- If the appliance is covered with a protective film, remove it. Remove the film slowly, so no glue residues are left. Remove any glue residues with the use of a suitable solvent.
- Be careful not to damage the rating plate and warning labels fixed on the appliance.
- **Never** place the appliance in humid or wet environment.
- Place the appliance in a way making the connections easily accessible, so that they may be quickly disconnected if such a need arises.
- The appliance should be placed on surfaces that are:
  - even, with sufficient bearing capacity, resistant to water, dry and resistant to high temperatures;
  - sufficiently large, and thus enabling usage of the appliance with no problems;
  - easily accessible;
  - well ventilated.
- Maintain sufficient clearance from table edges. The appliance might turn over and fall down.
- Leave a minimum clearance of 15 cm from all sides and make sure there is enough room at the top to effortlessly move the press lever, and that the ON/OFF switch is easily accessible.

### Power supply connection

- Verify if technical data of the appliance (see rating plate) correspond with the local electric power grid specification.
- Connect the appliance to a single, properly grounded mains socket with protective contact. Do not connect the appliance to a multi-socket.
- The power cord should be laid in a way preventing anyone from threading on it or tripping against it.

## 5.2 Operation



### **WARNING!**

#### **Injury hazard posed by rotating components of the appliance!**

Never put hands nor kitchen utensils into the strainer insert when the motor operates. First, use the ON/OFF switch to switch the appliance off, wait for the motor to stop and only then do remove the fruit pulp from the strainer.

### **ATTENTION!**

#### **Motor damage due to incorrect operation!**

Do not press too hard onto the press lever during the pressing process. If it is clearly heard that the motor starts operating slower or stops, relieve the press lever.

### Appliance Preparation

1. Prior to first use, clean all the removable components of the appliance thoroughly, observing the following indications.

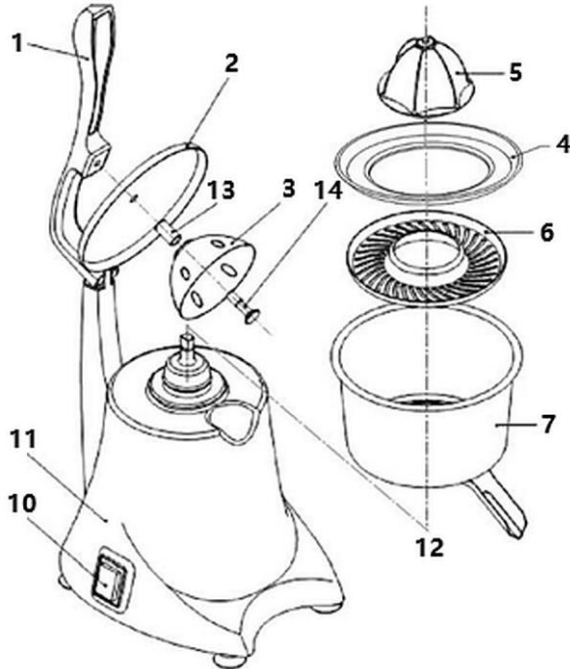


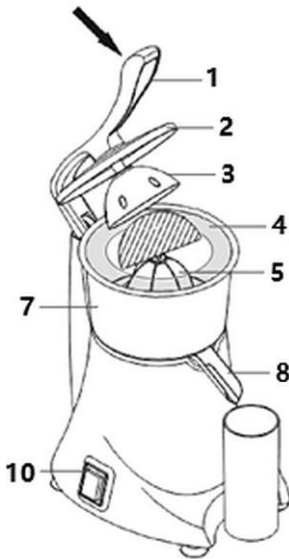
Fig. 2

2. From the juice container (7), remove the pressing cone (5), splash-guard (4) and strainer (6).
3. Loosen the bolt (14) by rotating it counter-clockwise.
4. From the press lever (1), remove the top section of the press (3), spacer sleeve (13) and juice container lid (2).
5. Wash the removed elements thoroughly in warm water with a mild cleaning agent. Rinse the cleaned components in fresh water, dry them and leave them for a while to dry completely.
6. Wipe the motor block (11) and Press lever (1) with a soft, damp cloth.
7. Secure the juice container lid (2), spacer sleeve (13) and top section of the press (3) onto the press lever (1), using the bolt (14) to this end, and rotating it clockwise.

## Installation and operation

8. Place the juice container (7) on the motor block (11).
9. Insert the strainer (6) into the juice container (7).
10. Fit the splash-guard (4) onto the juice container.
11. Secure the pressing cone onto the motor drive (12).

## Fruit Juice Preparation



1. Place a suitable container underneath the juice spout (8).
2. Prepare suitable citrus fruits, slice them into 2 halves with a sharp knife.
3. Slice fruits crosswise through fillets, and not along a fruit's axis.
4. Plug the appliance into a suitable single socket.
5. Place the prepared fruit halves with the cut face on the pressing cone (5).
6. Operate the ON/OFF switch (10).
7. Move the press lever (1) downwards, making sure that the top section of the press (3) covers the fruit.

EN

Fig. 3

8. Press the press lever slowly (1) until the motor starts operating and the entire juice is pressed out of a fruit.
9. When the pressing process is finished, pull the press lever (1) upwards and wait for the motor to stop; then, remove fruit peel.
10. Continue the fruit juice pressing process.
11. When pressing juice from a larger number of citrus fruits, remove the fruit pulp from the strainer regularly.
12. When the pressing cycle is over, switch the appliance with the ON/OFF switch (10) (set to 'O' position).

### Emergency Switch

The appliance is equipped with an emergency switch that switches the motor off in the event of appliance overload.

1. Should this happen, switch the appliance off with the ON/OFF switch (set to 'O' position).
2. Wait for the appliance to cool down.
3. Restart the appliance after cooling down.

## 6 Cleaning

### 6.1 Safety Instructions for Cleaning

- Before cleaning, disconnect the appliance from the power supply.
- Leave the appliance to cool down completely.
- Make sure water does not enter the appliance. Do not immerse the appliance in water or other liquids during cleaning. Do not clean the appliance with a pressurized water jet.
- Do not use any sharp or pointed, nor metal implements (knife, fork, etc.). Sharp or pointed implements may damage the appliance, and when in contact with live parts, they may cause electric shock.
- For cleaning, do not use any scouring agents that contain solvents nor corrosive cleaning agents. They may damage the surface.



## 6.2 Cleaning

1. Clean the appliance regularly after end of each working day, or more frequently if needed.
2. To remove and re-attach individual components, follow instructions in section '**Appliance Operation / Preparation**'.
3. Clean all detachable appliance components (juice container lid, splash-guard, press top section, pressing cone, strainer, juice container) with a mild cleaning agent and warm water.

**NOTE!**

**The pressing cone, strainer and juice container are dishwasher-safe and they may be put in a dishwasher for cleaning.**

4. Clean the strainer with a dish-washing brush.
5. If fruit residues stuck to the detachable components of the appliance, soak these components in warm water before washing.
6. All the cleaned components should be rinsed thoroughly with fresh water.
7. Leave the components to dry in open air or dry them with a linen-free cloth.
8. Clean the motor block and power cord with a soft, damp cloth only.
9. Wipe the motor block and power cord at the end with a soft cloth.
10. Re-assemble all the components prior to subsequent use or storing the appliance.

## 7 Disposal

### Electrical Appliance



Electric appliances are marked with this symbol. Electrical appliances must be disposed of and recycled in a correct and environmentally friendly manner. You must not dispose of electric appliances with household waste. Disconnect the appliance from the power supply and remove power cord from the appliance.

Electrical appliances should be returned to designated collection points.