

DRM3500E



120599

Bartscher GmbH
Franz-Kleine-Str. 28
D-33154 Salzkotten
Germany

Phone: +49 5258 971-0

Fax: +49 5258 971-120

Technical Support Hotline: +49 5258 971-197

www.bartscher.com



Version: 1.0

Date of preparation: 2023-02-10

Original instruction manual

1	Safety	2
1.1	Explanation of Signal Words	2
1.2	Safety instructions.....	3
1.3	Intended Use	5
1.4	Unintended Use	5
2	General information	6
2.1	Liability and Warranty	6
2.2	Copyright Protection	6
2.3	Declaration of Conformity	6
3	Transport, Packaging and Storage	7
3.1	Delivery Check.....	7
3.2	Packaging	7
3.3	Storage	7
4	Technical Data.....	8
4.1	Technical Specifications	8
4.2	List of Components of the Appliance	9
4.3	Functions of the Appliance.....	10
5	Installation and operation	10
5.1	Installation.....	10
5.2	Operation	11
6	Cleaning	13
6.1	Safety Instructions for Cleaning	13
6.2	Cleaning.....	14
7	Possible Malfunctions.....	15
8	Disposal.....	16



Read this instruction manual before using and keep it available at all times!

This instruction manual contains information about installation, operation and maintenance of the appliance and constitutes an important source of information and reference guide. The knowledge of all operational and safety instructions included in this manual is a prerequisite for safe and proper handling of the appliance. Additionally, accident prevention, occupational health and safety, and legal regulations in force in the area the appliance is used apply.

Before you start using the appliance, especially before turning it on, read this instruction manual in order to avoid personal injuries and property damages. Improper use may cause damage.

This instruction manual forms an integral part of the product and must be stored in an immediate vicinity of the appliance and be available at all times. The instruction manual should be transferred together with the appliance.

1 Safety

This appliance has been manufactured in accordance with technical standards currently in force. However, the appliance may be a source of hazards if used improperly or contrary to its intended purpose. All persons using the appliance must consider information included in this instruction manual and observe safety instructions.

1.1 Explanation of Signal Words

Important safety instructions and warning information are indicated in this instruction manual with appropriate signal words. You must strictly follow the instructions, to prevent accidents, personal injuries and property damages.



DANGER!

The signal word **DANGER** warns against hazards that lead to severe injuries or death if the hazards are not avoided.



WARNING!

The signal word **WARNING** warns against hazards that may lead to moderate or severe injuries or death if the hazards are not avoided.



CAUTION!

The signal word **CAUTION** warns against hazards that may lead to light or moderate injuries if the hazards are not avoided.

IMPORTANT!

The signal word **IMPORTANT** indicates possible property damages, which may occur if safety instructions are not observed.

NOTE!

The symbol **NOTE** indicates subsequent information and guidelines for the user on usage of the appliance.

1.2 Safety instructions

Electrical Current

- Too high a mains voltage or incorrect installation may cause electric shock.
- The appliance may be connected only if data on the rating plate correspond with the mains voltage.
- To avoid short-circuit, the appliance should be kept dry.
- If there are malfunctions during operation, disconnect the appliance from the power supply.
- Do not touch the appliance's plug with wet hands.
- Never take hold of the appliance if it has fallen into water. Immediately disconnect the appliance from the power supply.
- Any repairs or housing opening may be carried out by professionals and relevant workshops only.
- Do not transport the appliance, holding it by the power cord.
- Do not allow the power cord to come into contact with heat sources or sharp edges.
- Do not bend, pinch nor knot the power cord.

- Always completely unwind the power cord.
- Never place the appliance or other objects on the power cord.
- Always take hold of the plug to disconnect the appliance from the power supply.
- Check the power cord regularly for damage. Do not use the appliance if the power cord is damaged. If this cable is damaged, it must be replaced by customer service or a qualified electrician in order to avoid dangers.

Flammable Materials

- Never subject the appliance to contact with high temperature sources, e.g.: oven, furnace, open flame, heat generating devices, etc.
- To avoid fire hazard, clean the appliance regularly.
- Do not cover the appliance with, e.g., aluminium foil or cloths.
- Use the appliance only with materials designated to this end and with correct temperature settings. Materials, groceries and left-overs remaining in the appliance may catch fire.
- Never use the appliance near flammable or inflammable materials, e.g.: petrol, spirit, alcohol, etc. High temperature triggers evaporation of these materials, and, as a result of contact with sources of ignition, an explosion may occur.
- In case of fire, disconnect the appliance from the power supply before attempting suitable fire-extinguishing actions.
- Never attempt to extinguish fire with water if the appliance is connected to the power supply. Following extinction of fire, ensure sufficient fresh air inflow.

EN

Improper Use

- Unintended or prohibited use may cause damage to the appliance.
- The appliance may only be used when its technical condition is flawless and allows for safe operation.
- The appliance may only be used when all connections are executed according to rules of law in force.
- The appliance may only be used when it is clean.
- Use only original spare parts. Never attempt to repair the appliance on your own.
- Do not introduce any changes in the appliance nor modify it.

Operating personnel

- This appliance is not intended to be used by persons (including children) with limited physical, sensory or mental capabilities, nor by persons with limited experience and/or limited knowledge.

Safety

- Children should be supervised to ensure that they are not playing with or switching the appliance on.

1.3 Intended Use

As described below, every use of the appliance for a purpose differing and/or diverging from its intended standard use, is prohibited and considered to be an unintended use.

The following is an intended use:

- Slicing sausages.

1.4 Unintended Use

An unintended use may lead to personal injuries or property damages caused by hazardous voltage, fire or high temperature. The appliance may only be used to perform tasks described in this instruction manual.

The following is an unintended use:

- Slicing bones or other hard food products.

2 General information

2.1 Liability and Warranty

All information and instructions in this instruction manual account for legal regulations in force, current level of technical engineering knowledge as well as our expertise and experience, developed over the years. If special models or additional options are ordered, or state-of-the-art technical solutions were implemented, the actual scope of delivery of the appliance may, in some circumstances, differ from descriptions and numerous drawings in this instruction manual.

The manufacturer is not liable for any damages nor faults stemming from:

- failure to observe instructions,
- unintended use,
- technical alterations introduced by the user,
- usage of unapproved spare parts.

We reserve the right to introduce technical modifications to the product, intended for improvement of the appliance and its performance.

2.2 Copyright Protection

This instruction manual, and texts, drawings and images included in it, as well as its other components are copyright protected. It is prohibited to reproduce this instruction manual (including its excerpts), in any form and by any means, and to use and/or transfer its content to third parties without manufacturer's written permission. Violation of the above results in obligation to pay compensation. We reserve the right to claim further damages.

2.3 Declaration of Conformity

The appliance meets the currently applicable standards and guidelines of the European Union. We confirm the above in the EC Declaration of Conformity. We may provide relevant Declaration of Conformity upon request.

3 Transport, Packaging and Storage

3.1 Delivery Check

Immediately upon reception, check the delivery for completeness and possible shipping damage. In the case of visible transport damage refuse to accept the appliance or accept it conditionally. Mark and note the scope of damage in shipping documents/consignment list of the shipping company and lodge a complaint. Concealed damage must be reported immediately upon its discovery, as compensation claims may only be filed within applicable time limits.

If you find that parts or accessories missing, please contact our Customer Service Department.

3.2 Packaging

Do not dispose of the appliance cardboard box. It may be used to store the appliance when relocating or when shipping the appliance to our service point in the case of any damages.

The packaging and its elements are made of recyclable materials. Particularly, these are: plastic films and bags, cardboard box.

When disposing of the packaging, observe applicable domestic regulations. Recyclable packaging materials should be recycled.

EN

3.3 Storage

Leave the packaging closed until installation of the appliance; observe external indications concerning method of placing and storage. Store the packaging in the following conditions only:

- in closed rooms;
- in dry and dust-free surrounding;
- away from aggressive agents;
- in a location protected against sunlight;
- in a location protected against mechanical shocks.

In the case of extended storage (over three months), make sure you check the condition of the packaging and the parts regularly. If needed, replace the packaging with a new one.

4 Technical Data

4.1 Technical Specifications

Name:	Sausage slicer DRM3500E
Art. No.:	120599
Material:	stainless steel
Diameter of filling shaft, in mm:	41,5
Slice thickness regulation, from - to, in mm:	14 - 35
Connected load:	0,042 kW 230 V 50/60 Hz
Dimensions (W x D x H), in mm:	165 x 245 x 285
Weight, in kg:	4,0

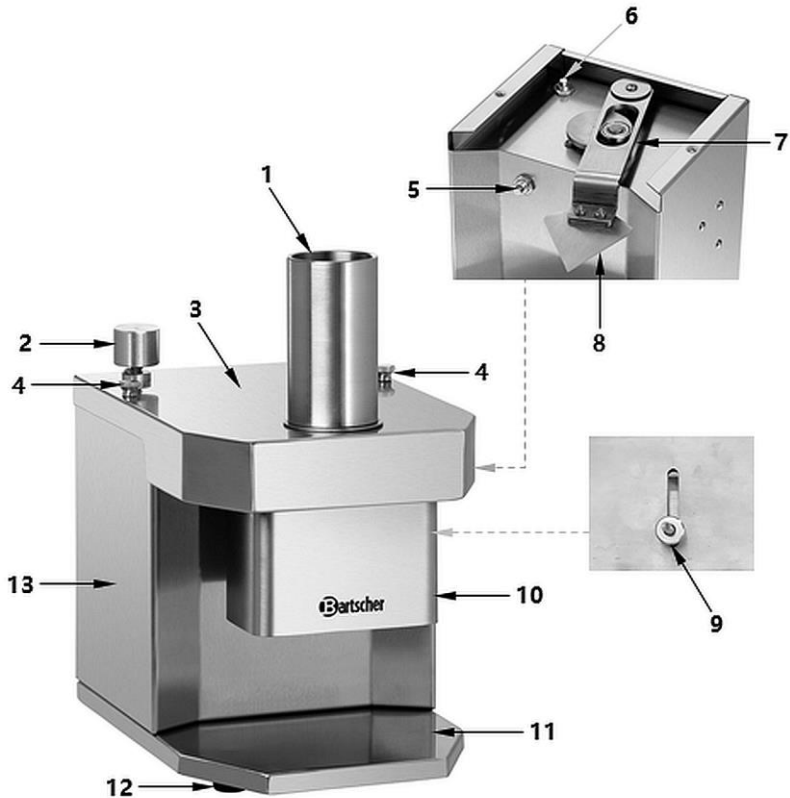
We reserve the right to implement technical modifications.

EN

Version / Characteristics

- Control: electronic
- Knife type: triangular knife
- ON/OFF switch
- Slice thickness may be regulated
- Safety switch
- Overheating protection

4.2 List of Components of the Appliance



EN

Fig. 1

- | | |
|---|-------------------------------------|
| 1. Filling shaft | 2. Start push-button |
| 3. Appliance cover | 4. Knurled nut (2 pcs) |
| 5. Contact safety switch | 6. Start push-button contact switch |
| 7. Rocker arm with disk | 8. Triangular knife |
| 9. Adjusting screw for slice thickness regulation | 10. Discharge shaft, removable |
| 11. Base plate | 12. Feet (4 pcs) |
| 13. Housing | |

4.3 Functions of the Appliance

The electric sausage slicer is equipped with a practical triangular knife and removable discharge shaft for providing better hygiene. To clean or set the slice thickness it is enough to simply remove the appliance cover. To this end, undo two knurled nuts. The slice thickness may be regulated infinitely.

5 Installation and operation

5.1 Installation

Unpacking / Positioning

- Unpack the appliance, remove all external and internal packaging elements and shipment safeguards.



CAUTION!

Choking hazard!

Prevent children from accessing package materials, for instance: plastic bags and EPS.

- If the appliance is covered with a protective film, remove it. Remove the film slowly, so no glue residues are left. Remove any glue residues with the use of a suitable solvent.
- Be careful not to damage the rating plate and warning labels fixed on the appliance.
- **Never** place the appliance in humid or wet environment.
- Place the appliance in a way making the connections easily accessible, so that they may be quickly disconnected if such a need arises.
- The appliance should be placed on surfaces that are:
 - even, with sufficient bearing capacity, resistant to water, dry and resistant to high temperatures;
 - sufficiently large, and thus enabling usage of the appliance with no problems;
 - easily accessible;
 - well ventilated.
- Maintain sufficient clearance from table edges. The appliance might turn over and fall down.
- Leave at least 10 cm clearance from flammable walls and items.

Power supply connection

- Verify if technical data of the appliance (see rating plate) correspond with the local electric power grid specification.
- Connect the appliance to a single, properly grounded mains socket with protective contact. Do not connect the appliance to a multi-socket.
- The power cord should be laid in a way preventing anyone from threading on it or tripping against it.

5.2 Operation



WARNING

Injury hazard due to electric shock caused by ingress of liquids!

Do not use the appliance if there is liquid on it or any liquid ingresses into it.

Disconnect the appliance from the power supply immediately (pull the mains plug out).

Injury hazard!

The blade of the triangular knife is very sharp.

When using the appliance, be careful not to touch the blade of the triangular knife with your hands or fingers.

EN

Before First Use

1. Before the first use, thoroughly clean the appliance according to the instructions in section '**Cleaning**'.
2. Before the first start-up, thoroughly clean the triangle knife to remove preservative greases used on treated metals. Use a food-grade cleaning and disinfecting agent.
3. Thoroughly dry the cleaned elements before re-assembling the appliance.
4. Plug the appliance into a suitable single socket.

Slicing Sausages

1. Place a plate or a bowl on the base plate, underneath the discharge shaft.
2. Press and hold the start push-button.

The motor starts after a short while and the knife swings to the left and right.

3. Place a roasted sausage in the filling shaft.

4. Keep the start push-button pressed as long as the sausage is sliced and drops to a plate.
5. Serve sausages.

Setting Slice Thickness

ATTENTION!

If not observed, the appliance will be damaged!

Before setting the slice thickness, disconnect the appliance from the power supply (pull the plug out). Introduce the settings only when the motor and the knife are stopped.

To set the slice thickness, remove the appliance cover (3) with the filling shaft and discharge shaft (10) from the appliance easily.

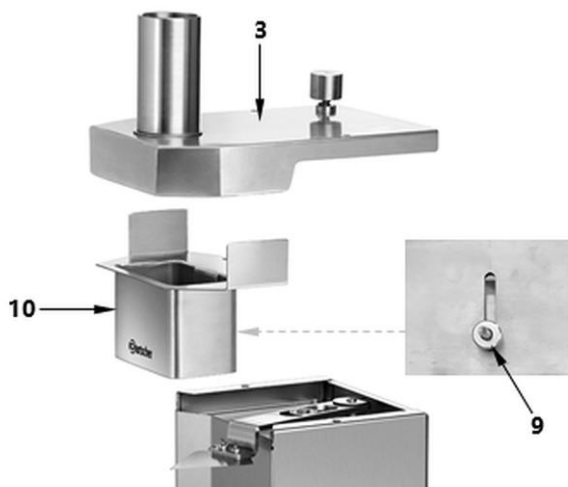


Fig. 2

1. Undo knurled nuts of the appliance cover.
2. Remove the cover with the filling shaft and the discharge shaft from the appliance.
3. Remove the discharge shaft (10) from the cover (3) by pulling it off of the cover. The adjusting screw for slice thickness regulation (9) is found on the discharge shaft (10).

Cleaning

4. Undo the adjusting screw for slice thickness regulation (9).
5. Move the distance bracket to obtain the required slice thickness (Fig. 2):
 - move it up, towards the knife to decrease the slice thickness.
 - move it down, away from the knife to increase the slice thickness.

The slice thickness may be set in the range of 14–35 mm.

6. When set, re-tighten the adjusting screw.
7. Fix the discharge shaft at the cover.
8. Refit the appliance cover with the discharge shaft and fix it with knurled nuts.
9. Operate the appliance as usual.

6 Cleaning

6.1 Safety Instructions for Cleaning

- Before cleaning, disconnect the appliance from the power supply.
- Leave the appliance to cool down completely.
- Make sure water does not enter the appliance. Do not immerse the appliance in water or other liquids during cleaning. Do not clean the appliance with a pressurized water jet.
- Do not use any sharp or pointed, nor metal implements (knife, fork, etc.). Sharp or pointed implements may damage the appliance, and when in contact with live parts, they may cause electric shock.
- For cleaning, do not use any scouring agents that contain solvents nor corrosive cleaning agents. They may damage the surface.

6.2 Cleaning



WARNING

Injury hazard!

The blade of the triangular knife is very sharp.

Be very careful when cleaning the triangular knife.

When cleaning of the triangular knife, wear safety gloves resistant to cutting.

1. Clean the appliance thoroughly after each use.
2. Before cleaning, disassemble the cover with the filling shaft:
 - undo knurled nuts of the appliance cover;
 - remove the appliance cover with the filling shaft and the discharge shaft;
 - remove the discharge shaft from the lid.
3. Clean the removed elements thoroughly in warm water, using a mild washing agent and a soft cloth or sponge.

4. To end with, rinse all cleaned parts thoroughly with fresh water.

NOTE!

The appliance cover with the filling shaft and discharge shaft are also dishwasher-safe.

5. Wash the triangular knife carefully with a soft, damp cloth, using a mild washing agent, or with a plastic dish-washing brush.
6. Wipe thoroughly with a clean cloth.
7. Wipe the housing and the appliance power cord with a soft, damp cloth.
8. Use a lint-free cloth to dry thoroughly the appliance and the cleaned parts.
9. Reassemble the appliance.

7 Possible Malfunctions

The table below contains descriptions of possible causes and solutions to malfunctions or errors during operation of the appliance. When malfunction cannot be removed, contact the technical service.

In such a case, provide article number, model name and serial number. These data may be found in the rating plate.

Problem	Cause	Solution
Appliance does not work	Plug is not properly connected to a socket	Insert the plug correctly
	Electric power safety fuse tripped	Check the fuse, and check the appliance after connecting it to another socket
Appliance does not respond	Cover is not placed correctly	Contact safety switch provides for the possibility of starting the appliance only when the cover is correctly assembled on the appliance with knurled nuts

8 Disposal

Electrical Appliance



Electric appliances are marked with this symbol. Electrical appliances must be disposed of and recycled in a correct and environmentally friendly manner. You must not dispose of electric appliances with household waste. Disconnect the appliance from the power supply and remove power cord from the appliance.

Electrical appliances should be returned to designated collection points.