



**103069**

Bartscher GmbH  
Franz-Kleine-Str. 28  
D-33154 Salzkotten  
Germany

Phone: +49 5258 971-0

Fax: +49 5258 971-120

**Technical Support Hotline:** +49 5258 971-197

[www.bartscher.com](http://www.bartscher.com)



Version: 3.0

Date of preparation: 2023-09-21

---

## Original instruction manual

1	Safety .....	2
1.1	Explanation of Signal Words .....	2
1.2	Safety instructions.....	3
1.3	Intended Use .....	6
1.4	Unintended Use .....	6
2	General information .....	7
2.1	Liability and Warranty .....	7
2.2	Copyright Protection .....	7
2.3	Declaration of Conformity .....	7
3	Transport, Packaging and Storage .....	8
3.1	Delivery Check.....	8
3.2	Packaging .....	8
3.3	Storage .....	8
4	Technical Data.....	9
4.1	Technical Specifications .....	9
4.2	List of Components of the Appliance .....	10
4.3	Functions of the Appliance.....	10
5	Installation and operation .....	11
5.1	Installation.....	11
5.2	Operation .....	12
6	Cleaning .....	13
6.1	Safety Instructions for Cleaning .....	13
6.2	Cleaning.....	14
7	Disposal.....	14



**Read this instruction manual before using and keep it available at all times!**

This instruction manual contains information about installation, operation and maintenance of the appliance and constitutes an important source of information and reference guide. The knowledge of all operational and safety instructions included in this manual is a prerequisite for safe and proper handling of the appliance. Additionally, accident prevention, occupational health and safety, and legal regulations in force in the area the appliance is used apply.

Before you start using the appliance, especially before turning it on, read this instruction manual in order to avoid personal injuries and property damages. Improper use may cause damage.

This instruction manual forms an integral part of the product and must be stored in an immediate vicinity of the appliance and be available at all times. The instruction manual should be transferred together with the appliance.

## 1 Safety

This appliance has been manufactured in accordance with technical standards currently in force. However, the appliance may be a source of hazards if used improperly or contrary to its intended purpose. All persons using the appliance must consider information included in this instruction manual and observe safety instructions.

### 1.1 Explanation of Signal Words

Important safety instructions and warning information are indicated in this instruction manual with appropriate signal words. You must strictly follow the instructions, to prevent accidents, personal injuries and property damages.



**DANGER!**

The signal word **DANGER** warns against hazards that lead to severe injuries or death if the hazards are not avoided.



### **WARNING!**

The signal word **WARNING** warns against hazards that may lead to moderate or severe injuries or death if the hazards are not avoided.



### **CAUTION!**

The signal word **CAUTION** warns against hazards that may lead to light or moderate injuries if the hazards are not avoided.

### **IMPORTANT!**

The signal word **IMPORTANT** indicates possible property damages, which may occur if safety instructions are not observed.

### **NOTE!**

The symbol **NOTE** indicates subsequent information and guidelines for the user on usage of the appliance.

## 1.2 Safety instructions

### Electrical Current

- Too high a mains voltage or incorrect installation may cause electric shock.
- The appliance may be connected only if data on the rating plate correspond with the mains voltage.
- To avoid short-circuit, the appliance should be kept dry.
- If there are malfunctions during operation, disconnect the appliance from the power supply.
- Do not touch the appliance's plug with wet hands.
- Never take hold of the appliance if it has fallen into water. Immediately disconnect the appliance from the power supply.
- Any repairs or housing opening may be carried out by professionals and relevant workshops only.
- Do not transport the appliance, holding it by the power cord.
- Do not allow the power cord to come into contact with heat sources or sharp edges.
- Do not bend, pinch nor knot the power cord.

- Always completely unwind the power cord.
- Never place the appliance or other objects on the power cord.
- Always take hold of the plug to disconnect the appliance from the power supply.
- Check the power cord regularly for damage. Do not use the appliance if the power cord is damaged. If this cable is damaged, it must be replaced by customer service or a qualified electrician in order to avoid dangers.

### Flammable Materials

- Never subject the appliance to contact with high temperature sources, e.g.: oven, furnace, open flame, heat generating devices, etc.
- To avoid fire hazard, clean the appliance regularly.
- Do not cover the appliance with, e.g., aluminium foil or cloths.
- Use the appliance only with materials designated to this end and with correct temperature settings. Materials, groceries and left-overs remaining in the appliance may catch fire.
- Never use the appliance near flammable or inflammable materials, e.g.: petrol, spirit, alcohol, etc. High temperature triggers evaporation of these materials, and, as a result of contact with sources of ignition, an explosion may occur.
- In case of fire, disconnect the appliance from the power supply before attempting suitable fire-extinguishing actions.
- Never attempt to extinguish fire with water if the appliance is connected to the power supply. Following extinction of fire, ensure sufficient fresh air inflow.

### Hot Surfaces

- Surfaces of the appliance become hot during operation. Burning hazard! High temperature remains for some time after switching the appliance off.
- Do not touch any hot surfaces of the appliance. Use the provided handling elements and holders.
- You may transport and clean the appliance after it cools down entirely.
- It is prohibited to sprinkle hot surfaces with cold water or flammable liquids.

### Operating Personnel

- The appliance may only be operated by qualified personnel and trained specialist personnel.
- This appliance may not be operated by persons (including children) with limited physical, sensory or mental capabilities, nor by persons with limited experience and/or limited knowledge.

## Safety

---

- Children should be supervised to ensure that they are not playing with or switching on the appliance.

## Improper Use

- Unintended or prohibited use may cause damage to the appliance.
- The appliance may only be used when its technical condition is flawless and allows for safe operation.
- The appliance may only be used when all connections are executed according to rules of law in force.
- The appliance may only be used when it is clean.
- Use only original spare parts. Never attempt to repair the appliance on your own.
- Do not introduce any changes in the appliance nor modify it.

## 1.3 Intended Use

As described below, every use of the appliance for a purpose differing and/or diverging from its intended standard use, is prohibited and considered to be an unintended use.

The following is an intended use:

- Warming up suitable plates and keeping them warm.

## 1.4 Unintended Use

An unintended use may lead to personal injuries or property damages caused by hazardous voltage, fire or high temperature. The appliance may only be used to perform tasks described in this instruction manual.



## 2 General information

### 2.1 Liability and Warranty

All information and instructions in this instruction manual account for legal regulations in force, current level of technical engineering knowledge as well as our expertise and experience, developed over the years. If special models or additional options are ordered, or state-of-the-art technical solutions were implemented, the actual scope of delivery of the appliance may, in some circumstances, differ from descriptions and numerous drawings in this instruction manual.

The manufacturer is not liable for any damages nor faults stemming from:

- failure to observe instructions,
- unintended use,
- technical alterations introduced by the user,
- usage of unapproved spare parts.

We reserve the right to introduce technical modifications to the product, intended for improvement of the appliance and its performance.

### 2.2 Copyright Protection

This instruction manual, and texts, drawings and images included in it, as well as its other components are copyright protected. It is prohibited to reproduce this instruction manual (including its excerpts), in any form and by any means, and to use and/or transfer its content to third parties without manufacturer's written permission. Violation of the above results in obligation to pay compensation. We reserve the right to claim further damages.

### 2.3 Declaration of Conformity

The appliance meets the currently applicable standards and guidelines of the European Union. We confirm the above in the EC Declaration of Conformity. We may provide relevant Declaration of Conformity upon request.

## 3 Transport, Packaging and Storage

### 3.1 Delivery Check

Immediately upon reception, check the delivery for completeness and possible shipping damage. In the case of visible transport damage refuse to accept the appliance or accept it conditionally. Mark and note the scope of damage in shipping documents/consignment list of the shipping company and lodge a complaint. Concealed damage must be reported immediately upon its discovery, as compensation claims may only be filed within applicable time limits.

If you find that parts or accessories missing, please contact our Customer Service Department.

### 3.2 Packaging

Do not dispose of the appliance cardboard box. It may be used to store the appliance when relocating or when shipping the appliance to our service point in the case of any damages.

The packaging and its elements are made of recyclable materials. Particularly, these are: plastic films and bags, cardboard box.

When disposing of the packaging, observe applicable domestic regulations. Recyclable packaging materials should be recycled.

### 3.3 Storage

Leave the packaging closed until installation of the appliance; observe external indications concerning method of placing and storage. Store the packaging in the following conditions only:

- in closed rooms;
- in dry and dust-free surrounding;
- away from aggressive agents;
- in a location protected against sunlight;
- in a location protected against mechanical shocks.

In the case of extended storage (over three months), make sure you check the condition of the packaging and the parts regularly. If needed, replace the packaging with a new one.

## 4 Technical Data

### 4.1 Technical Specifications

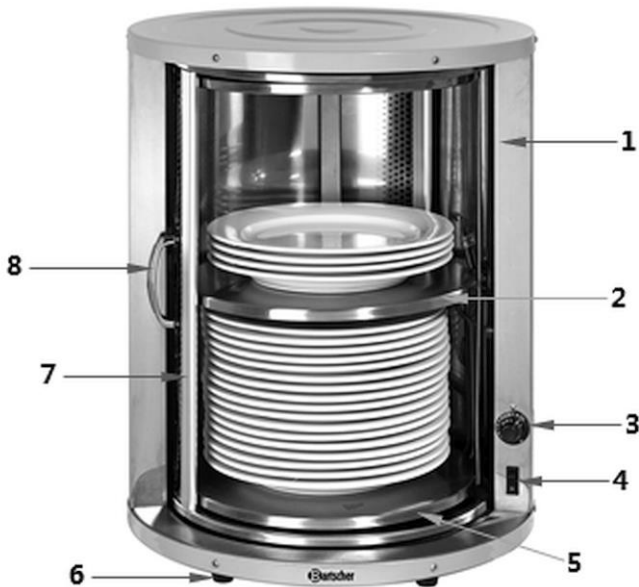
<b>Name:</b>	<b>Plate warmer f. 30-40 plates</b>
Art. No.:	<b>103069</b>
Material:	stainless steel
Temperature range, min.-max., in °C:	30 - 80
Capacity, plates:	30 - 40
Plates diameter, in mm:	320
Inner diameter, in mm:	330
Internal height, top in mm:	225
Internal height, bottom in mm:	215
Power load:	0,6 kW   230 V   50/60 Hz
Dimensions (W x D x H), in mm:	465 x 465 x 565
Weight, in kg:	22,4

We reserve the right to implement technical modifications.

#### Version / features

- Temperature control: thermostatic
- Thermostat
- Control: electronic, knob
- Shelves version: full surface
- Shelves w/adjustable height: no
- ON/OFF switch
- Door type: rotating door
- Door hinge: runs inwards
- Door with no possibility for door hinge to be changed
- Indicator light: ON/OFF

## 4.2 List of Components of the Appliance



The delivery does not include plates!

Fig. 1

- |                           |                               |
|---------------------------|-------------------------------|
| 1. Housing                | 2. Top working surface        |
| 3. Temperature controller | 4. ON/OFF switch              |
| 5. Bottom working surface | 6. Feet (4x)                  |
| 7. Rotating glass door    | 8. Rotating glass door handle |

## 4.3 Functions of the Appliance

Plates are kept in temperatures up to 80°C on the working surfaces of the appliance for the desired time.

## 5 Installation and operation

### 5.1 Installation

#### Unpacking / Positioning

- Unpack the appliance, remove all external and internal packaging elements and shipment safeguards.



#### CAUTION!

##### Choking hazard!

Prevent children from accessing package materials, for instance: plastic bags and EPS.

- If the appliance is covered with a protective film, remove it. Remove the film slowly, so no glue residues are left. Remove any glue residues with the use of a suitable solvent.
- Be careful not to damage the rating plate and warning labels fixed on the appliance.
- **Never** place the appliance in humid or wet environment.
- Place the appliance in a way making the connections easily accessible, so that they may be quickly disconnected if such a need arises.
- The appliance should be placed on surfaces that are:
  - even, with sufficient bearing capacity, resistant to water, dry and resistant to high temperatures;
  - sufficiently large, and thus enabling usage of the appliance with no problems;
  - easily accessible;
  - well ventilated.
- Maintain sufficient clearance from table edges. The appliance might turn over and fall down.
- Leave at least 20 cm clearance from flammable walls and items.

EN

#### Power supply connection

- Verify if technical data of the appliance (see rating plate) correspond with the local electric power grid specification.
- Connect the appliance to a single, properly grounded mains socket with protective contact. Do not connect the appliance to a multi-socket.

- The power cord should be laid in a way preventing anyone from threading on it or tripping against it.

## 5.2 Operation



### WARNING!

#### Risk of burning!

**During operation, the housing of the appliance and the rotating glass door become very hot.**

Do not touch any surfaces of the appliance.

Always use a handle to open the rotating door.

Switch the appliance off while putting the plates in.

#### Risk of burning if temperature is set above 60°C!

When taking out the plates, always use oven mitts or a dish cloth.

### Preparation of the appliance

1. Before use clean the appliance according to the instructions in section 6 'Cleaning'.
2. Prepare the appropriate plates (up to Ø 320 mm).  
Plates must be clean and dry before they are put in the appliance.

3. Put the plates on the working surface of the appliance.

#### HINT!

**Optimal plate warming is achieved when two working surfaces are filled with plates up to the top.**

4. Close the rotating glass door of the appliance.

### Starting the appliance

1. Plug the appliance into a suitable single socket.
2. Switch the appliance on with the ON/OFF switch.

The green power indicator light in the ON/OFF switch is on.

3. Set the desired temperature with the temperature control knob.

The temperature is adjustable within the range of 30°-80°C, the optimum temperature is approx. 60°C. When the temperature is set below 60°C, the plates are not too hot to remove them manually and there is no scalding hazard to fingers

## Cleaning

---

nor hands. The food remains warm for a long time, when it is served on plates warmed to such temperature.

### The warming time is conditioned by various factors:

- material of the plates and its thickness;
- number of plates in the appliance;
- temperature setting;
- ambient temperature.

Thus it is not possible to define the exact time of warming. Taking the above factors into account, the user may determine the right settings only during operation of the appliance.

### Taking the plates out / refilling of the appliance

1. Always turn off the appliance with the tilt switch on the front before taking the cookware out from the appliance.
2. Take the plates out from the appliance as needed.

#### **CAUTION!**

**If the appliance is within reach of the guests, make sure that the temperature control knob is not operated by unauthorised persons.**

EN

3. Keep in mind that plates must be clean and dry while putting in the appliance. If any water enters the surface, wipe it dry immediately.

### Switching the appliance OFF

1. When the appliance has been emptied or it will not be used, switch it off with the ON/OFF switch.
2. Disconnect the appliance from power supply (pull the plug out).

## 6 Cleaning

### 6.1 Safety Instructions for Cleaning

- Before cleaning, disconnect the appliance from the power supply.
- Leave the appliance to cool down completely.
- Make sure water does not enter the appliance. Do not immerse the appliance in water or other liquids during cleaning. Do not clean the appliance with a pressurized water jet.

- Do not use any sharp or pointed, nor metal implements (knife, fork, etc.). Sharp or pointed implements may damage the appliance, and when in contact with live parts, they may cause electric shock.
- For cleaning, do not use any scouring agents that contain solvents nor corrosive cleaning agents. They may damage the surface.

## 6.2 Cleaning

1. Clean the appliance daily.
2. Clean the housing, working surface and rotating glass door with a soft, damp cloth and mild washing agent.
3. Wipe with a clean cloth to remove any residues of a washing agent.
4. Dry and polish the surface after cleaning with a soft and dry cloth.

## 7 Disposal

### Electrical Appliance



Electric appliances are marked with this symbol. Electrical appliances must be disposed of and recycled in a correct and environmentally friendly manner. You must not dispose of electric appliances with household waste. Disconnect the appliance from the power supply and remove power cord from the appliance.

Electrical appliances should be returned to designated collection points.