

3000 - 4000



101880 - 101881

Bartscher GmbH
Franz-Kleine-Str. 28
D-33154 Salzkotten
Germany

Phone: +49 5258 971-0

Fax: +49 5258 971-120

Technical Support Hotline: +49 5258 971-197

www.bartscher.com



Version: 1.0

Date of preparation: 2024-03-08

Original instruction manual

1	Safety	2
1.1	Explanation of Signal Words	2
1.2	Safety instructions.....	3
1.3	Residual risks	5
1.4	Intended Use	8
1.5	Unintended Use	8
2	General information	9
2.1	Liability and Warranty	9
2.2	Copyright Protection	9
2.3	Declaration of Conformity	9
3	Transport, Packaging and Storage	10
3.1	Delivery Check.....	10
3.2	Packaging	10
3.3	Storage	10
4	Technical Data.....	11
4.1	Technical Specifications	11
4.2	Functions of the Appliance.....	12
4.3	List of Components of the Appliance	13
5	Installation Instructions	15
5.1	Unpacking.....	15
5.2	Positioning	17
5.3	Electrical Connection	18
6	Operating Instruction	19
6.1	Operation	19
7	Cleaning and Maintenance	22
7.1	Safety Instructions for Cleaning	22
7.2	Cleaning.....	22
7.3	Maintenance	23
8	Possible Malfunctions.....	26
9	Disposal.....	28



Read this instruction manual before using and keep it available at all times!

This instruction manual contains information about installation, operation and maintenance of the appliance and constitutes an important source of information and reference guide. The knowledge of all operational and safety instructions included in this manual is a prerequisite for safe and proper handling of the appliance. Additionally, accident prevention, occupational health and safety, and legal regulations in force in the area the appliance is used apply.

Before you start using the appliance, especially before turning it on, read this instruction manual in order to avoid personal injuries and property damages. Improper use may cause damage.

This instruction manual forms an integral part of the product and must be stored in an immediate vicinity of the appliance and be available at all times. The instruction manual should be transferred together with the appliance.

1 Safety

This appliance has been manufactured in accordance with technical standards currently in force. However, the appliance may be a source of hazards if used improperly or contrary to its intended purpose. All persons using the appliance must consider information included in this instruction manual and observe safety instructions.

1.1 Explanation of Signal Words

Important safety instructions and warning information are indicated in this instruction manual with appropriate signal words. You must strictly follow the instructions, to prevent accidents, personal injuries and property damages.



DANGER!

The signal word **DANGER** warns against hazards that lead to severe injuries or death if the hazards are not avoided.



WARNING!

The signal word **WARNING** warns against hazards that may lead to moderate or severe injuries or death if the hazards are not avoided.



CAUTION!

The signal word **CAUTION** warns against hazards that may lead to light or moderate injuries if the hazards are not avoided.

IMPORTANT!

The signal word **IMPORTANT** indicates possible property damages, which may occur if safety instructions are not observed.

NOTE!

The symbol **NOTE** indicates subsequent information and guidelines for the user on usage of the appliance.

1.2 Safety instructions

Electrical Current

- Too high a mains voltage or incorrect installation may cause electric shock.
- The appliance may be connected only if data on the rating plate correspond with the mains voltage.
- To avoid short-circuit, the appliance should be kept dry.
- If there are malfunctions during operation, disconnect the appliance from the power supply.
- Do not touch the appliance's plug with wet hands.
- Never take hold of the appliance if it has fallen into water. Immediately disconnect the appliance from the power supply.
- Any repairs or housing opening may be carried out by professionals and relevant workshops only.
- Do not transport the appliance, holding it by the power cord.
- Do not allow the power cord to come into contact with heat sources or sharp edges.
- Do not bend, pinch nor knot the power cord.

- Always completely unwind the power cord.
- Never place the appliance or other objects on the power cord.
- Always take hold of the plug to disconnect the appliance from the power supply.
- Check the power cord regularly for damage. Do not use the appliance if the power cord is damaged. If this cable is damaged, it must be replaced by customer service or a qualified electrician in order to avoid dangers.

Operating Personnel

- The appliance may only be operated by qualified personnel and trained specialist personnel.
- This appliance may not be operated by persons (including children) with limited physical, sensory or mental capabilities, nor by persons with limited experience and/or limited knowledge.
- Children should be supervised to ensure that they are not playing with or switching on the appliance.

Improper Use

- Unintended or prohibited use may cause damage to the appliance.
- The appliance may only be used when its technical condition is flawless and allows for safe operation.
- The appliance may only be used when all connections are executed according to rules of law in force.
- The appliance may only be used when it is clean.
- Use only original spare parts. Never attempt to repair the appliance on your own.
- Do not introduce any changes in the appliance nor modify it.

1.3 Residual risks

The employer is obliged to inform the staff about residual risks and protective equipment and general rules of preventing accidents as provided for in local guidelines and national laws of the country where the appliance is installed.

Therefore, the appliance manager is obliged and responsible for:

- obtaining information about regular training, possibly in cooperation with the manufacturer of the appliance to ensure proper training of operators and maintenance technicians;
- providing personal protective equipment in compliance with 89/656/EEC Directive, as amended;
- it is recommended that the appliance is used, maintained and cleaned by qualified staff.

Residual risk caused by noise
The appliance produces an equivalent continuous sound pressure level corrected by the A characteristic below 70 dB. To avoid hearing loss, appropriate protective equipment must be worn (earplugs or earmuffs).
Residual risk caused by fire
The employer is required to install appropriate fire suppression systems e.g. first-aid portable fire extinguishers appropriate for the materials that may catch fire. Never use water to extinguish fire.
Residual risk caused by control systems
Through the activation of the command to stop the appliance or due to power outage. Before reaching out to the movable parts, make sure that they are turned off.
Residual risk caused by works involving lifting
There is a residual risk of impact, abrasion, cut, slipping during maintenance, cleaning and other manual work.

Residual risk due to removal of fixed protective devices

Under no circumstances shall the operator open or remove fixed protective devices or modify safety devices.

The risk of slipping / falling

The risk of slipping and/or falling on the floor. Maintenance operators or technicians must always wear personal protective equipment on their feet, such as anti-slippery shoes, resistant and suitable for the existing hazards.

Personal Protective Equipment

The use of personal protective equipment and clothing is intended to protect a specific part of body from certain work-related hazards.

As a general rule, they should only be used when measures to eliminate the hazard at source are not sufficient to eliminate harmful substances and parts and thus ensure the safety and health of an employee.

The use of equipment includes the use of the following personal protective equipment:

EN

Protective gloves	Safety footwear	Safety clothing
		

Warning signs on the appliance

The descriptions preceded by these symbols contain very important information and warnings, especially regarding safety. Non-compliance may cause the following effects:

- operator safety hazard;
- void of contractual guarantee;
- no liability on the part of the manufacturer.



DANGEROUS ELECTRICAL VOLTAGE

Dangerous voltage inside. Contact leads to electric shock or burns. Before any maintenance works or cleaning the appliance must be disconnected from the power supply.



DANGER caused by rotating and moving parts Upper extremities JAMMING



Never remove the rollers protection before start-up
Never put your hands between the moving rollers



THE RISK OF INJURY by moving elements with the protective devices removed

Before removing the protective devices the appliance must be disconnected from the power supply. Before start-up install the protective devices.



DO NOT REMOVE THE PROTECTIVE DEVICES

Do not remove the maintenance area cover during operation.

1.4 Intended Use

As described below, every use of the appliance for a purpose differing and/or diverging from its intended standard use, is prohibited and considered to be an unintended use.

The following is an intended use:

- Flattening, rolling and stretching of cold pizza, flat-bread, yeast dough etc. of different shapes and thicknesses,

1.5 Unintended Use

An unintended use may lead to personal injuries or property damages caused by hazardous voltage, fire or high temperature. The appliance may only be used to perform tasks described in this instruction manual.

The following is an unintended use:

- Household use,
- Processing of unsuitable food products.

2 General information

2.1 Liability and Warranty

All information and instructions in this instruction manual account for legal regulations in force, current level of technical engineering knowledge as well as our expertise and experience, developed over the years. If special models or additional options are ordered, or state-of-the-art technical solutions were implemented, the actual scope of delivery of the appliance may, in some circumstances, differ from descriptions and numerous drawings in this instruction manual.

The manufacturer is not liable for any damages nor faults stemming from:

- failure to observe instructions,
- unintended use,
- technical alterations introduced by the user,
- usage of unapproved spare parts.

We reserve the right to introduce technical modifications to the product, intended for improvement of the appliance and its performance.

2.2 Copyright Protection

This instruction manual, and texts, drawings and images included in it, as well as its other components are copyright protected. It is prohibited to reproduce this instruction manual (including its excerpts), in any form and by any means, and to use and/or transfer its content to third parties without manufacturer's written permission. Violation of the above results in obligation to pay compensation. We reserve the right to claim further damages.

2.3 Declaration of Conformity

The appliance meets the currently applicable standards and guidelines of the European Union. We confirm the above in the EC Declaration of Conformity. We may provide relevant Declaration of Conformity upon request.

3 Transport, Packaging and Storage

3.1 Delivery Check

Immediately upon reception, check the delivery for completeness and possible shipping damage. In the case of visible transport damage refuse to accept the appliance or accept it conditionally. Mark and note the scope of damage in shipping documents/consignment list of the shipping company and lodge a complaint. Concealed damage must be reported immediately upon its discovery, as compensation claims may only be filed within applicable time limits.

If you find that parts or accessories missing, please contact our Customer Service Department.

3.2 Packaging

Do not dispose of the appliance cardboard box. It may be used to store the appliance when relocating or when shipping the appliance to our service point in the case of any damages.

The packaging and its elements are made of recyclable materials. Particularly, these are: plastic films and bags, cardboard box.

When disposing of the packaging, observe applicable domestic regulations. Recyclable packaging materials should be recycled.

3.3 Storage

Leave the packaging closed until installation of the appliance; observe external indications concerning method of placing and storage. Store the packaging in the following conditions only:

- in closed rooms;
- in dry and dust-free surrounding;
- away from aggressive agents;
- in a location protected against sunlight;
- in a location protected against mechanical shocks.

In the case of extended storage (over three months), make sure you check the condition of the packaging and the parts regularly. If needed, replace the packaging with a new one.

4 Technical Data

4.1 Technical Specifications

Name:	Pastry roll machine 3000
Art. No.:	101880
Material:	stainless steel
Dough rollers material:	plastic
Dough diameter, from-to, in mm:	140 - 300
Dough thickness setting, from-to, in mm:	0,5 - 4
Dough weight, from-to, in g:	80 - 210
Number of dough rollers pairs:	2
Rollers length, bottom, in mm:	300
Dough guide arm:	yes
Power load:	0,37 kW 230 V 50 Hz
Dimensions (W x D x H), in mm:	450 x 470 x 687
Weight, in kg:	25,8

Name:	Pastry roll machine 4000
Art. No.:	101881
Material:	stainless steel
Dough rollers material:	plastic
Dough diameter, from-to, in mm:	260 - 400
Dough thickness setting, from-to, in mm:	0,5 - 4
Dough weight, from-to, in g:	80 - 400
Number of dough rollers pairs:	2
Rollers length, bottom, in mm:	400
Dough guide arm:	yes
Power load:	0,37 kW 230 V 50 Hz
Dimensions (W x D x H), in mm:	540 x 470 x 810
Weight, in kg:	32,0

EN

We reserve the right to implement technical modifications.

4.2 Functions of the Appliance

With the dough roll machine you can prepare a dough of 300 or 400 mm in diameter with minimum effort and in no time. Universal production – from tart flambée, pizza dough to flatbread dough – is simple and possible thanks to dough thickness adjustment on both dough rollers.

4.3 List of Components of the Appliance

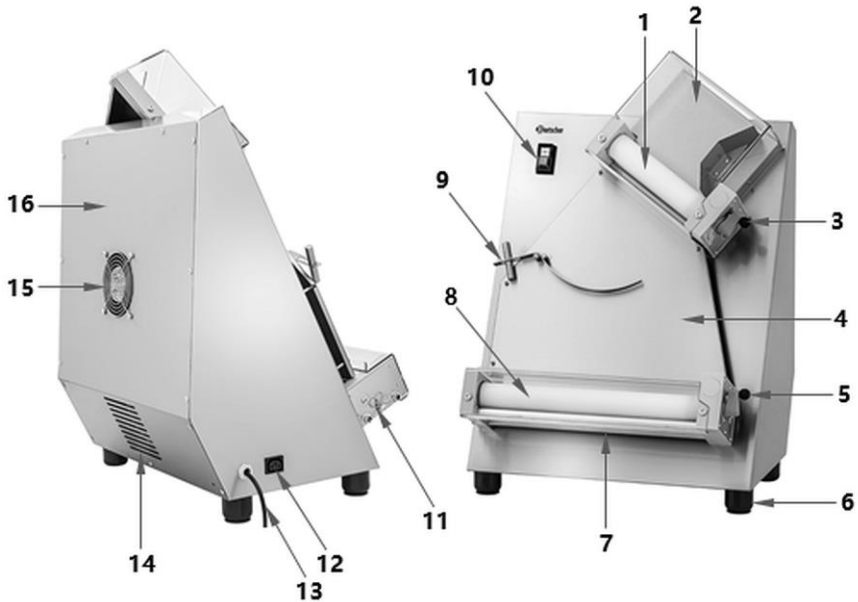


Fig. 1

- | | |
|---|--|
| 1. Top rollers pair | 2. Protective cover of the top rollers |
| 3. Lever to regulate the spacing between the top rollers | 4. Dough chute |
| 5. Lever to regulate the spacing between the bottom rollers | 6. Feet (4x) |
| 7. Protective cover of the bottom rollers | 8. Bottom rollers pair |
| 9. Dough guide arm | 10. Control buttons |
| 11. Bottom rollers pair gasket springs | 12. Pedal control connection (option) |
| 13. Power cord | 14. Ventilation openings |
| 15. Fan | 16. Rear safety cover |

Safety devices

Do not remove any protective and safety elements from the appliance. If they are removed for special maintenance purposes, appropriate measures must be taken to mitigate the risk. Upon completion of the maintenance works, the removed protective devices must be reinstalled.

ON/OFF switch: Splash-proof ON switch is intended for switching the appliance On and Off.

Rollers protection: Both pairs of rollers are secured with a protective cover which prevents reaching into them. A warning sticker indicates the risk of crushing the upper extremities if this warning is not followed. **It is strictly forbidden to remove this protective cover from the appliance.**

Rear protective cover: It protects movable parts of the appliance. **It is strictly forbidden to remove this protective cover under operation.**

5 Installation Instructions



CAUTION!

Incorrect installation, positioning, operation, maintenance or misuse of the appliance may lead to personal injury or property damage.

Positioning and installation, as well as repairs may be performed by authorised technical service only and in compliance with the applicable national law.

NOTE!

The manufacturer disclaims all liability and provides no warranty for damages, which may be attributed to non-observance of regulations or incorrect installation.

5.1 Unpacking

- The appliance is delivered packed in a card-box on a plywood pallet, thus providing for full transport safety.
- During transport the packaging of the appliance must be covered and secured against weather conditions.
- It is strictly forbidden to stack other crates or other materials on top of it. The packaging must be handled with utmost care.
- To transport the device use a fork-lift truck or palette, ensuring that the mounts of the lifting equipment are as shown in Fig. 2.
- While transferring the load it should be kept at the minimum height over the ground which shall ensure better stability of the load.
- Lifting and transport activities must be performed by authorised staff equipped with appropriate equipment.



Fig. 2

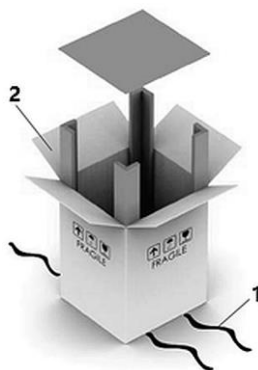


Fig. 3

- To unpack the appliance, proceed as follows (Fig. 3):
 - cut the straps (1) securing the cardboard box;
 - open the cardboard box (2),
 - remove staples;
 - remove the cardboard box (2);
 - make sure that all parts are intact;
 - check if the scope of delivery is consistent with the information in the packing list.



CAUTION!

Choking hazard!

Prevent children from accessing package materials, for instance: plastic bags and EPS.

- If the appliance is covered with a protective film, remove it. Remove the film slowly, so no glue residues are left. Remove any glue residues with the use of a suitable solvent.
- Be careful not to damage the rating plate and warning labels fixed on the appliance.

Attaching the feet

Equipment included

- 4x plastic feet
- 4x hexagon screws
- 4x rubber pads

To attach the feet, follow the steps below:

1. Insert one hexagon screw into each of the 4 plastic feet, making sure that they all sit well inside.
2. With the use of a screwdriver screw the plastic feet into the appropriate threads under the appliance, Fig. 4.
3. Then place the 4 rubber pads into the plastic feet.



Fig. 4

5.2 Positioning

- **Never** place the appliance in humid or wet environment.
- Place the appliance in a way making the connections easily accessible, so that they may be quickly disconnected if such a need arises.
- The appliance should be placed on surfaces that are:
 - even, with sufficient bearing capacity, resistant to water, dry and resistant to high temperatures;
 - sufficiently large, and thus enabling usage of the appliance with no problems;
 - easily accessible;
 - well ventilated.
- Maintain sufficient clearance from table edges. The appliance might turn over and fall down.

- Make sure that the the bearing surface will support the weight of the appliance.
- Carefully position the appliance, following the instructions in Fig. 5 which shows the minimum distances required to allow the operator or maintenance technician to perform any work and/or maintenance sequence.

Stability of the appliance provided for in working conditions allows its safe use without the risk of tilting.

Thus, the appliance does not need to be fixed to the work table.

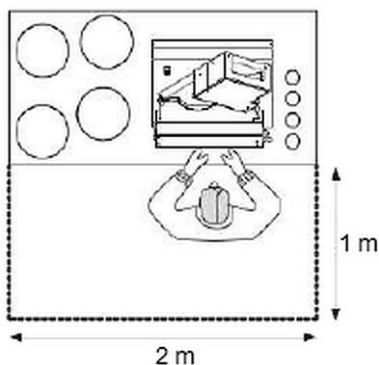


Fig. 5

5.3 Electrical Connection

- Verify if the technical specification of the appliance (see the rating plate) corresponds to the characteristics of the local electric mains grid.
- Connect the appliance to a single, properly grounded mains socket with a protective contact. Do not connect the appliance to a multi-socket.
- The power cord should be laid in a way preventing anyone from threading on it or tripping against it.
- The appliance is equipped with a power cord and mains plug.
- A power switch must be installed in front of the appliance. This overcurrent protection must be installed in compliance with technical requirements. Power switch allows cutting an electric appliance off (isolating) from the power source and is not used to interrupt the operation of the appliance normally.

6 Operating Instruction

6.1 Operation

Before the first use

1. Before use clean the appliance thoroughly according to the instructions in section 6 'Cleaning'.
2. Thoroughly wipe the parts and surfaces with clean water and a cloth to completely remove any residue of the cleaner.
3. Then dry the appliance with a lint-free cloth.

Control buttons functions

Control buttons are located on the left of the dough roll machine.

By pushing the appropriate buttons (Fig. 6) the operator can turn the appliance on or off.



1. Start button 'I' (white)
2. Stop button 'O' (black)

EN

Fig. 6

Before use, let the appliance run empty for several minutes to ensure normal operation.

Operation of the appliance

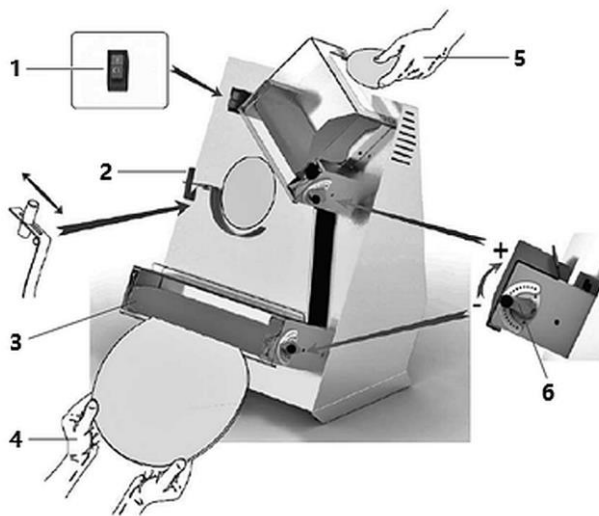


Fig. 7

EN

1. With the appropriate lever (6, Fig. 7) adjust the spacing between the top and bottom roller pairs depending on the thickness of semi-finished dough.

HINT!

Set greater spacing for the top rollers pair, and lesser spacing for the bottom rollers.

2. Adjust the position of the counterweight on the top end of the curved dough guide arm (2) depending on the weight of the rolled semi-finished dough.
3. Control if the gaskets are positioned correctly and their springs (3) are well tensioned.
4. Turn on the power switch, to ensure power supply.
5. Press the Start button 'I' to start the appliance.
6. Place the semi-finished dough lightly sprinkled with flour in the upper opening on the top rollers pair (5).

HINT!

To facilitate feeding the dough, press the dough ball edges against the rollers.

Operating Instruction

The dough is rolled by the rollers into a sheet. It slides onto the dough guide arm and then, through the chute onto the bottom rollers. Here the dough is processed by the rollers into the required sheet of dough.

7. Take the dough sheet off the bottom rollers (4).
8. Gradually process the prepared dough.
9. Upon completion of the processing, turn the appliance off by pressing the STOP button 'O' (1).
10. If the appliance shall no longer be used, break the power supply by switching the ON/OFF switch to 'O' (OFF) position.

Pedal control (option), Fig. 8



Fig. 8

EN

This appliance can be pedal controlled.

1. When the appliance is switched off, plug the IEC connector (1) of the pedal controller into the IEC socket (2).
2. Connect the appliance to the power supply.
3. Press your foot down on the pedal (3) to start the appliance.
4. Taking the foot off the pedal (3) halts the operation of the appliance.

ATTENTION!

To prevent unintentional start of the appliance, after each use of the pedal control pull the IEC plug (1) from the IEC socket (2).

7 Cleaning and Maintenance

7.1 Safety Instructions for Cleaning

- Before cleaning, disconnect the appliance from the power supply.
- Leave the appliance to cool down completely.
- Make sure water does not enter the appliance. Do not immerse the appliance in water or other liquids during cleaning. Do not clean the appliance with a pressurized water jet.
- Do not use any sharp or pointed, nor metal implements (knife, fork, etc.). Sharp or pointed implements may damage the appliance, and when in contact with live parts, they may cause electric shock.
- For cleaning, do not use any scouring agents that contain solvents nor corrosive cleaning agents. They may damage the surface.

ATTENTION!

For maintenance, cleaning and replacement of parts the appliance must be completely turned off and disconnected from the power supply.

Before proceeding with maintenance, cleaning works or replacement of parts pay attention to the warnings contained in this operation manual and on the warning signs on the appliance.

No warning signs or protective equipment must be removed or manipulated with, for whatever reason, during maintenance, cleaning and replacement of parts.

7.2 Cleaning

1. Clean the appliance thoroughly at the end of the working day and, if necessary, also between the work cycles.
2. Remove any food residues from the surfaces and from the rolls with the use of a plastic scraper.
3. Clean all surfaces and appliance parts that come in contact with the food, or its areas (protective covers, surfaces, rollers) with a damp (not soaked) soft cloth.
4. Disinfect the cleaned surfaces and elements with a food grade disinfectant.
5. Clean the casing with a soft, damp cloth and mild cleaning agent.
6. Clean the roller gaskets.

Cleaning and Maintenance

Proceed the following way:

- loosen up the springs (1, Fig. 9) on the bottom rollers;
- remove the gaskets (2) from their seats;
- clean the gaskets with a damp cloth;
- reinsert the gaskets;
- install the springs.

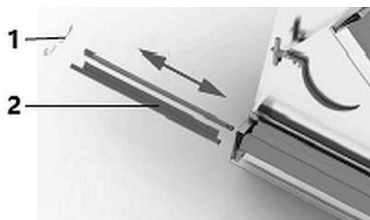


Fig. 9

ATTENTION!

Before each work cycle check if the gaskets are properly fixed and the springs are tensioned.

7.3 Maintenance

Requirements for the maintenance personnel

The term 'maintenance' should be understood not only as a regular check of the normal operation of the appliance, but also as the removal of any faults or defects that caused the device to stop. The maintenance staff must read and understand this operation manual and be informed about the residual risks.

It is important that maintenance work, replacement of parts, drive adjustments and troubleshooting are carried out by trained, competent specialist personnel authorised by the employer.

Maintenance technician has the following tasks:

- adjustment of the device, calibration of the internal gearbox even in hazardous areas with fixed protective covers in the closed and locked position, with moving parts disconnected from the power supply;
- cleaning of the internal parts of the machine, maintenance, service interventions, troubleshooting and replacement of worn out or damaged parts.
- any replacement should only be carried out using original parts from the manufacturer.

Maintenance activities

Removal of protective covers and safety devices.	For some operations the fixed protective covers must be removed. Upon completion of the operation the protective covers must be reinstalled at their original position and locked with the fixing systems.
Disconnection of external sources.	Before the removal of fixed protective covers, the person in charge of the maintenance must completely disconnect the appliance from the external power supply. <ul style="list-style-type: none"> – switch a protection device which is connected in front of the supply line of the electric equipment to position 'O' (OFF); – disconnect the main switch.

Routine maintenance by the operator

Frequency	Check / control	Execution
Before each shift (shift work)	Check the work area: <ul style="list-style-type: none"> • it must be clean and dust-free 	Clean the work stations and all external parts of the appliance
At least once a week	Check the: <ul style="list-style-type: none"> • Protective devices • Functioning of the stop function 	Visual inspection and functional safety test
At least once a week	Visual inspection for completeness: <ul style="list-style-type: none"> • All markings must be intact and not worn 	In the case of disqualification have them replaced with identical ones by a serviceman
At least once a week	Visual inspection for completeness: <ul style="list-style-type: none"> • Infeed system above and under the rollers 	If there are visible scratches or nicks, the rollers should be replaced

Maintenance Intervals

Frequency	Check / control	Execution
At least once a month	Check: <ul style="list-style-type: none"> • inside the case • engine housing 	All internal components and engine housing must be kept clean and dry. Remove any dust with a vacuum cleaner
At least once a month	Check the operation level: <ul style="list-style-type: none"> • mechanical connections 	With the use of appropriate tool check terminal strips, screws, nuts and connections, and tighten them, if necessary.
At least every 3 months	Check the operation of: <ul style="list-style-type: none"> • Motor starter, all control circuit relays 	Perform a visual inspection to ensure that relays and control circuits are in good working order.
At least every 3 months	General checks: <ul style="list-style-type: none"> • electrical installation 	Start all electrical equipment. Electrical equipment is subject to wear and tear
At least every 6 months	Check the operation level: <ul style="list-style-type: none"> • potential equalization and protective circuit 	With the use of appropriate tool measure the resistance of the system to ensure that the values obtained correspond to the tolerances of the standards in force in the country where the equipment is installed
At least every 6 months	Check: <ul style="list-style-type: none"> • electric insulation of motors 	With the use of appropriate tool measure the insulation of motors to ensure that the values obtained correspond to the tolerances of the standards in force in the country where the equipment is installed

Frequency	Check / control	Execution
At least every 6 months	Check: <ul style="list-style-type: none"> the recording of respective motor phases 	With the use of appropriate tool measure the recording on each motor power cable. Values that are not in the range of 10% mean that the motors are damaged.
At least every 12 months	Check the operation level: <ul style="list-style-type: none"> connections of electrical components inside and outside the casing 	Check if no part is loose. Otherwise re-tighten the connections

8 Possible Malfunctions

The table below contains descriptions of possible causes and solutions to malfunctions or errors during operation of the appliance. When malfunction cannot be removed, contact the technical service.

EN

In such a case, provide article number, model name and serial number. These data may be found in the rating plate.


Malfunction	Cause	Solution
No voltage in the mains	General power outage	Contact the electricity company
	A fuse or power circuit breaker has tripped	Eliminate the cause for protection device intervention, reset the appliance If the problem persists, contact an electrician
Interrupted operation	Intervention by the protection device in the appliance	Eliminate the cause for protection device intervention, reset the appliance If the problem persists, contact an electrician

Possible Malfunctions

Malfunction	Cause	Solution
The appliance does not work: the rollers do not rotate	No power	Check the electric supply and reset
	The main switch in 'O' position (OFF)	Switch the main switch to 'I' position (ON)
	Fuses or power circuit breaker do not work	Replace the fuses, check the condition of the circuit breaker control
	Start button or electric pedal do not work	Check the operation level of the control equipment
	Due to overheating, the thermal cut-out has tripped.	Before switching the appliance on again, allow it to cool down completely
The appliance works but one or both rollers do not rotate	Drive belt may break	Contact the service company

9 Disposal

Electrical Appliance

	<p>Electric appliances are marked with this symbol. Electrical appliances must be disposed of and recycled in a correct and environmentally friendly manner. You must not dispose of electric appliances with household waste. Disconnect the appliance from the power supply and remove power cord from the appliance.</p>
---	---

Electrical appliances should be returned to designated collection points.