

CD3-1/3



500738

Bartscher GmbH
Franz-Kleine-Str. 28
D-33154 Salzkotten
Germany

Phone: +49 5258 971-0

Fax: +49 5258 971-120

Technical Support Hotline: +49 5258 971-197

www.bartscher.com



Version: 1.0

Date of preparation: 2020-04-07

Original instruction manual

| | | |
|-----|--|----|
| 1 | Safety | 2 |
| 1.1 | Explanation of signal words | 2 |
| 1.2 | Safety instructions..... | 3 |
| 1.3 | Intended use | 6 |
| 1.4 | Unintended use..... | 6 |
| 2 | General information | 7 |
| 2.1 | Liability and warranty | 7 |
| 2.2 | Copyright protection..... | 7 |
| 2.3 | Declaration of conformity | 7 |
| 3 | Transport, packaging and storage | 8 |
| 3.1 | Delivery check | 8 |
| 3.2 | Packaging | 8 |
| 3.3 | Storage | 8 |
| 4 | Technical data | 9 |
| 4.1 | Technical specifications | 9 |
| 4.2 | List of components of the appliance..... | 10 |
| 4.3 | Functions of the appliance | 10 |
| 5 | Installation and operation | 11 |
| 5.1 | Installation..... | 11 |
| 5.2 | Operation | 12 |
| 6 | Cleaning | 12 |
| 6.1 | Safety Instructions for cleaning | 12 |
| 6.2 | Cleaning..... | 13 |
| 7 | Disposal..... | 14 |



Read this instruction manual before using and keep it available at all times!

This instruction manual contains information about installation, operation and maintenance of the appliance and constitutes an important source of information and reference guide. The knowledge of all operational and safety instructions included in this manual is a prerequisite for safe and proper handling of the appliance. Additionally, accident prevention, occupational health and safety, and legal regulations in force in the area the appliance is used apply.

Before you start using the appliance, especially before turning it on, read this instruction manual in order to avoid personal injuries and property damages. Improper use may cause damage.

This instruction manual forms an integral part of the product and must be stored in an immediate vicinity of the appliance and be available at all times. The instruction manual should be transferred together with the appliance.

1 Safety

EN

This appliance has been manufactured in accordance with technical standards currently in force. However, the appliance may be a source of hazards if used improperly or contrary to its intended purpose. All persons using the appliance must consider information included in this instruction manual and observe safety instructions.

1.1 Explanation of signal words

Important safety instructions and warning information are indicated in this instruction manual with appropriate signal words. You must strictly follow the instructions, to prevent accidents, personal injuries and property damages.



DANGER!

The signal word **DANGER** warns against hazards that lead to severe injuries or death if the hazards are not avoided.



WARNING!

The signal word **WARNING** warns against hazards that may lead to moderate or severe injuries or death if the hazards are not avoided.



CAUTION!

The signal word **CAUTION** warns against hazards that may lead to light or moderate injuries if the hazards are not avoided.

IMPORTANT!

The signal word **IMPORTANT** indicates possible property damages, which may occur if safety instructions are not observed.

NOTE!

The symbol **NOTE** indicates subsequent information and guidelines for the user on usage of the appliance.

1.2 Safety instructions

Electrical current

- Too high a mains voltage or incorrect installation may cause electric shock.
- The appliance may be connected only if data on the rating plate correspond with the mains voltage.
- To avoid short-circuit, the appliance should be kept dry.
- If there are malfunctions during operation, disconnect the appliance from the power supply.
- Do not touch the appliance's plug with wet hands.
- Never take hold of the appliance if it has fallen into water. Immediately disconnect the appliance from the power supply.
- Any repairs or housing opening may be carried out by professionals and relevant workshops only.
- Do not transport the appliance, holding it by the power cord.
- Do not allow the power cord to come into contact with heat sources or sharp edges.
- Do not bend, pinch nor knot the power cord.
- Always completely unwind the power cord.

- Never place the appliance or other objects on the power cord.
- Always take hold of the plug to disconnect the appliance from the power supply.

Flammable materials

- Never subject the appliance to contact with high temperature sources, e.g.: oven, furnace, open flame, heat generating devices, etc.
- To avoid fire hazard, clean the appliance regularly.
- Do not cover the appliance with, e.g., aluminium foil or cloths.
- Use the appliance only with materials designated to this end and with correct temperature settings. Materials, groceries and left-overs remaining in the appliance may catch fire.
- Never use the appliance near flammable or inflammable materials, e.g.: petrol, spirit, alcohol, etc. High temperature triggers evaporation of these materials, and, as a result of contact with sources of ignition, an explosion may occur.
- In case of fire, disconnect the appliance from the power supply before attempting suitable fire-extinguishing actions.
- Never attempt to extinguish fire with water if the appliance is connected to the power supply. Following extinction of fire, ensure sufficient fresh air inflow.

EN

Hot surfaces

- Surfaces of the appliance become hot during operation. Burning hazard! High temperature remains for some time after switching the appliance off.
- Do not touch any hot surfaces of the appliance. Use the provided handling elements and holders.
- You may transport and clean the appliance after it cools down entirely.
- It is prohibited to sprinkle hot surfaces with cold water or flammable liquids.

Supervised usage only

- Only supervised appliance may be used.
- Always remain in an immediate vicinity of the appliance.

Operating personnel

- The device can be used by children of 8 years old and older, as well as by people with reduced physical, sensory or mental abilities and those with limited experience/knowledge as long as they are under supervision or have been instructed on safe use of the device and possible risks. Children should not play with the device.
- Do not leave the device unattended in the presence of children.

Improper use

- Unintended or prohibited use may cause damage to the appliance.
- The appliance may only be used in a technically flawless condition, providing for safe use.
- The appliance may only be used with connections in a technically flawless condition, providing for safe use.
- The appliance may only be used clean.
- Use only original spare parts. Never attempt to repair the appliance on your own.
- Do not attempt to modify nor alter the appliance.

1.3 Intended use

As described below, every use of the appliance for a purpose differing and/or diverging from its intended standard use, is prohibited and considered to be an unintended use.

The following is an intended use:

- Keeping the prepared food warm in GN containers.

This appliance is intended for use in households and similar places, e.g.:

- in employee canteens in shops, offices, and similar areas;
- on farms;
- by customers in hotels, motels, and other typical accommodation establishments;
- in lodging-houses.

1.4 Unintended use

EN

An unintended use may lead to personal injuries or property damages caused by hazardous voltage, fire or high temperature. The appliance may only be used to perform tasks described in this instruction manual.

The following is an unintended use:

- food preparation;
- warm and hot water preparation,
- heating of liquids containing sugar, acids, lyes, or alcohols,
- storing and heating up flammable, harmful, and quickly evaporating liquids or materials, etc.

2 General information

2.1 Liability and warranty

All information and instructions in this instruction manual account for legal regulations in force, current level of technical engineering knowledge as well as our expertise and experience, developed over the years. If special models or additional options are ordered, or state-of-the-art technical solutions were implemented, the actual scope of delivery of the appliance may, in some circumstances, differ from descriptions and numerous drawings in this instruction manual.

The manufacturer is not liable for any damages nor faults stemming from:

- failure to observe instructions,
- unintended use,
- technical alterations introduced by the user,
- usage of unapproved spare parts.

We reserve the right to introduce technical modifications to the product, intended for improvement of the appliance and its performance.

2.2 Copyright protection

This instruction manual, and texts, drawings and images included in it, as well as its other components are copyright protected. It is prohibited to reproduce this instruction manual (including its excerpts), in any form and by any means, and to use and/or transfer its content to third parties without manufacturer's written permission. Violation of the above results in obligation to pay compensation. We reserve the right to claim further damages.

EN

2.3 Declaration of conformity

The appliance meets the currently applicable standards and guidelines of the European Union. We confirm the above in the EC Declaration of Conformity. We may provide relevant Declaration of Conformity upon request.

3 Transport, packaging and storage

3.1 Delivery check

Immediately upon reception, check the delivery for completeness and possible shipping damage. In the case of visible transport damage refuse to accept the appliance or accept it conditionally. Mark and note the scope of damage in shipping documents/consignment list of the shipping company and lodge a complaint. Concealed damage must be reported immediately upon its discovery, as compensation claims may only be filed within applicable time limits.

If you find that parts or accessories missing, please contact our Customer Service Department.

3.2 Packaging

Do not dispose of the appliance cardboard box. It may be used to store the appliance when relocating or when shipping the appliance to our service point in the case of any damages.

The packaging and its elements are made of recyclable materials. Particularly, these are: plastic films and bags, cardboard box.

When disposing of the packaging, observe applicable domestic regulations. Recyclable packaging materials should be recycled.

EN

3.3 Storage

Leave the packaging closed until installation of the appliance; observe external indications concerning method of placing and storage. Store the packaging in the following conditions only:

- in closed rooms;
- in dry and dust-free surrounding;
- away from aggressive agents;
- in a location protected against sunlight;
- in a location protected against mechanical shocks.

In the case of extended storage (over three months), make sure you check the condition of the packaging and the parts regularly. If needed, replace the packaging with a new one.

4 Technical data

4.1 Technical specifications

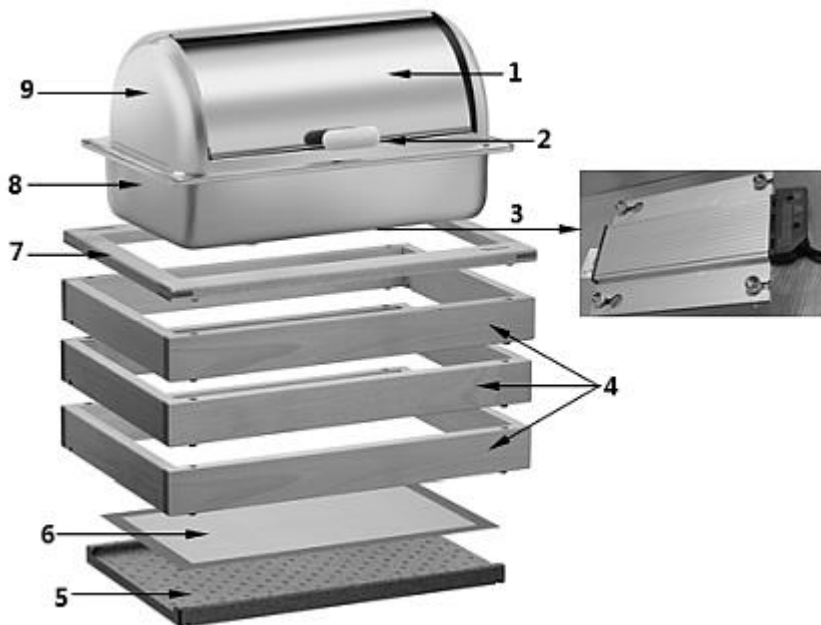
| | |
|--------------------|----------------------------------|
| Name: | Buffet system set CD3-1/3 |
| Art. No.: | 500738 |
| Power supply: | 0,38 kW / 220-240 V / 50-60 Hz |
| Dimensions, in mm: | 580 x 405 x 410 |
| Weight in kg: | 13,3 |

We reserve the right to implement technical modifications!

Version / Characteristics

- Version:
 - Module with chafing dish and roll-top lid
 - Heated
 - Cut-out: GN 1/1
 - Simple plug system
- Set elements:
 - 3 GN containers, 1/3 GN, stainless steel
 - 1 bain-marie
 - 1 heating tube, 0.38 kW, with mains plug
 - 1 roll-top lid, stainless steel
 - 1 heating plate
 - 1 silicone film
 - 3 base frames
 - 1 closing frame

4.2 List of components of the appliance



EN

1. Roll-top lid
2. Roll-top lid holder
3. Heating tube
4. Base frame (3 pcs)
5. Heating plate
6. Silicone film
7. Closing frame
8. Bain-marie
9. Housing

4.3 Functions of the appliance

In the heated bain-marie, warm food is kept warm for a selected period of time.

5 Installation and operation

5.1 Installation

Unpacking / Positioning

- Unpack the appliance, remove all external and internal packaging elements and shipment safeguards.



CAUTION!

Choking hazard!

Prevent children from accessing package materials, for instance: plastic bags and EPS.

- If the appliance is covered with a protective film, remove it. Remove the film slowly, so no glue residues are left. Remove any glue residues with the use of a suitable solvent.
- Be careful not to damage the rating plate and warning labels fixed on the appliance.
- **Never** place the appliance in humid or wet environment.
- Place the appliance in a way making the connections easily accessible, so that they may be quickly disconnected if such a need arises.
- The appliance should be placed on surfaces that are:
 - even, with sufficient bearing capacity, resistant to water, dry and resistant to high temperatures;
 - sufficiently large, and thus enabling usage of the appliance with no problems;
 - easily accessible;
 - well ventilated.
- Maintain sufficient clearance from table edges. The appliance might turn over and fall down.
- Leave at least 10 cm clearance from flammable walls and items.

EN

Assembly

1. Set 3 base frames on even surface, topping one on another.
2. Top the 3 base frames with the closing frame.
3. Place the heating plate in the middle.

4. Place the silicone film over it.
5. Open the bain-marie nuts.
6. Place the heating tube at the bottom of bain-marie and close the nuts.
7. Place the bain-marie on the closing frame.

Connection — electrical power

- Check if technical specifications of the appliance (see rating plate) correspond to local electrical grid specifications.
- Connect the appliance to a single, properly grounded mains socket with protective contact. Do not connect the appliance to a multi-socket.
- The power cord should be laid in a way preventing anyone from threading on it or tripping against it.

5.2 Operation

1. Fill the bain-marie with water up to the marking.
2. Fill the GN container with already prepared and warm food.
3. Place the 3 enclosed GN 1/3 containers in bain-marie.
4. Place the roll-top lid on the bain-marie.
5. Close the lid, to keep the food warm longer.

The food may be taken from GN containers as required.

6. Disconnect the plug from the socket, when the bain-marie is no longer used.

6 Cleaning

6.1 Safety Instructions for cleaning

- Before cleaning, disconnect the appliance from the power supply.
- Leave the appliance to cool down completely.
- Make sure water does not enter the appliance. Do not immerse the appliance in water or other liquids during cleaning. Do not clean the appliance with a pressurized water jet.
- Do not use any sharp or pointed, nor metal implements (knife, fork, etc.). Sharp or pointed implements may damage the appliance, and when in contact with live parts, they may cause electric shock.
- For cleaning, do not use any scouring agents that contain solvents nor corrosive cleaning agents. They may damage the surface.

6.2 Cleaning

Wooden elements

The modular buffet system consist in mainly of wooden elements. When taking care of or cleaning, the following indications should be taken into account.

Wooden elements may not be:

- put into a dishwasher,
- put into a sink nor water container,
- washed under running water nor exposed to stream of water,
- put on heat sources (e.g. radiators) for the purpose of drying, nor put into convection and steam oven, convection oven/baking oven nor microwave oven.

Cleaning process

1. All soilings should be removed directly after serving dishes, or more frequently if required.
2. Do not let residues of food products to dry up on surfaces.
3. Remove dishes in which food was served.
4. Wipe individual elements with a cloth moistened in warm water, with mild cleaning agent.
5. Wipe with a damp, clean cloth.
6. To end with, thoroughly dry all individual elements with a soft and dry cloth.

EN

Removing dried-up residues of food products

1. Soak a cloth with water and mild cleaning agent.
2. Wipe dried up residues of food products with a cloth; do not exert too much a pressure. Leave dried up residues of food products for a while for them to soak up and wipe them clean with a damp cloth.
3. Dry the surfaces with a soft and dry cloth.

Remaining elements

1. Wipe the heating plate, silicone film, heating tube and power cord only with a slightly moistened and soft cloth.
2. To end with, thoroughly dry all cleaned parts, using a linen-free, soft cloth.

GN containers / bain-marie



CAUTION!

Risk of burns!

Before cleaning, leave the GN containers to cool down.

1. Remove the cooled GN containers out of bain-marie.
2. Remove food from GN containers.
3. Clean the GN containers and bain-marie regularly, using warm water with mild cleaning agent.
4. Rinse in fresh water.
5. Dry the GN containers and bain-marie with soft cloth.
6. The bain-marie should be descaled regularly with the use of commercially available descaling agent. Follow the product manufacturer's instructions. At the end, clean the bain-marie as described above.

EN

7 Disposal

Electrical appliance



Electric appliances are marked with this symbol. Electrical appliances must be disposed of and recycled in a correct and environmentally friendly manner. You must not dispose of electric appliances with household waste. Disconnect the appliance from the power supply and remove power cord from the appliance.

Electrical appliances should be returned to designated collection points.