

650 400G-G - 650 600G-G



1152473 - 1152483

Bartscher GmbH
Franz-Kleine-Str. 28
D-33154 Salzkotten
Germany

Phone: +49 5258 971-0
Fax: +49 5258 971-120
Service hotline: +49 5258 971-197
www.bartscher.com



0085DL0171

Version: 1.0

Prepared on: 2024-09-16

Original instruction manual

1	Safety	2
1.1	Explanation of Signal Words	2
1.2	Safety instructions.....	3
1.3	Intended Use	6
1.4	Unintended Use	6
2	General information	7
2.1	Liability and Warranty	7
2.2	Copyright Protection	7
2.3	Declaration of Conformity	7
3	Transport, Packaging and Storage	8
3.1	Delivery Check.....	8
3.2	Packaging	8
3.3	Storage	8
4	Technical Data.....	9
4.1	Technical Specifications	9
4.2	Functions of the Appliance.....	15
4.3	List of Components of the Appliance	16
5	Installation Instructions	17
5.1	Installation.....	17
6	Operating Instruction	23
6.1	Operation	24
7	Cleaning and Maintenance	26
7.1	Safety Instructions for Cleaning	26
7.2	Cleaning.....	27
7.3	Maintenance	27
8	Possible Malfunctions	29
9	Disposal.....	30



Read these instruction manual before using the appliance and keep it available at all times!

This instruction manual contains information about installation, operation and maintenance of the appliance and constitutes an important source of information and reference guide. The knowledge of all operational and safety instructions included in this manual is a prerequisite for safe and proper handling of the appliance.

Read this instruction manual before you use the appliance and particularly before you start the appliance to prevent injury or damage. Incorrect use may cause damage.

All important information contained in the operating instructions must be available to the appropriate staff at all time. The operator shall be responsible for their availability.

In addition to the operating instructions, you must comply with the general, legal and other applicable regulations for occupational safety and environmental protection.

EN

1 Safety

This appliance has been manufactured in accordance with technical standards currently in force. However, the appliance may be a source of hazards if used improperly or contrary to its intended purpose. All persons using the appliance must consider information included in this instruction manual and observe safety instructions.

1.1 Explanation of Signal Words

Important safety instructions and warning information are indicated in this instruction manual with appropriate signal words. You must strictly follow the instructions, to prevent accidents, personal injuries and property damages.



DANGER!

The signal word **DANGER** warns against hazards that lead to severe injuries or death if the hazards are not avoided.



WARNING!

The signal word **WARNING** warns against hazards that may lead to moderate or severe injuries or death if the hazards are not avoided.



CAUTION!

The signal word **CAUTION** warns against hazards that may lead to light or moderate injuries if the hazards are not avoided.

IMPORTANT!

The signal word **IMPORTANT** indicates possible property damages, which may occur if safety instructions are not observed.

NOTE!

The symbol **NOTE** indicates subsequent information and guidelines for the user on usage of the appliance.

EN

1.2 Safety instructions

Safety of Gas Supplied Appliances

- Do not use a gas supplied appliance in the event of a malfunction or damage or in the case of a suspected malfunction or damage. In such a case set the gas control knob(s) to 'O' and close the main gas valve. Contact the service company immediately.
- Regularly conduct tightness checks using suds (a spray for detecting leakages).

Do not use open flame for checking tightness of gas installation!

WARNING!

Danger of suffocating and explosion due to leaking gas!

- When you sense gas odour, observe the following rules:
 - immediately close the gas control knob(s) and the main gas valve;
 - provide for sufficient venting of rooms: open wide all doors and windows;
 - do not light up any open flame, quench flames;
 - do not smoke;

- do not produce sparks, do not actuate any electric switches, do not use phones (irrespective of it being landline phone or mobile phone);
- do not operate any electric appliances in the vicinity of a gas supplied appliance;
- if needed, notify all persons in a building by calling loud and knocking on doors;
- leave building;
- when outside of a building, contact the service company. If it is impossible to precisely locate gas leak, immediately phone fire fighters and notify gas supplier.

Flammable Materials

- Never use the appliance near flammable or easily combustible materials (e.g.: petrol, spirit, alcohol). High temperature triggers evaporation of these materials, and, as a result of contact with sources of ignition, an explosion may occur.
- Use the appliance only with materials designed to this end and with correct temperature settings. Materials, food products and left-overs of food products remaining in the appliance may catch fire.
- To avoid fire hazard, clean the appliance regularly.
- Never leave the appliance unattended, especially when cooking with fats or oils as they may cause fire.
- Close the gas shut-off valve should the fire emerge. Never put the flame out with water; to suppress fire, use a lid or a fire-blanket. Following extinction of fire, ensure sufficient fresh air inflow.

Hot Surfaces

- Surfaces of the appliance become hot during operation. Burning hazard! High temperature remains for some time after switching the appliance off.
- Do not touch any hot surfaces of the appliance. Use the provided handling elements and holders.
- You may transport and clean the appliance after it cools down entirely.
- It is prohibited to sprinkle hot surfaces with cold water or flammable liquids.

Safety

Supervised Usage only

- Only supervised appliance may be used.
- Always remain in an immediate vicinity of the appliance.

Operating Personnel

- The appliance may only be operated by qualified personnel and trained specialist personnel.
- This appliance may not be operated by persons (including children) with limited physical, sensory or mental capabilities, nor by persons with limited experience and/or limited knowledge.
- Children should be supervised to ensure that they are not playing with or switching on the appliance.

Improper use

- Unintended or prohibited use may cause damage to the appliance.
- The appliance may only be used in a technically flawless condition, providing for safe use.
- The appliance may only be used with connections in a technically flawless condition, providing for safe use.
- The appliance may only be used clean.
- Use only original spare parts. Never attempt to repair the appliance on your own.
- Do not attempt to modify nor alter the appliance.

1.3 Intended Use

This appliance is only intended for use described in the operating instructions, with the supplied and approved components.

Any other use is considered against the intended purpose. The manufacturer shall not be liable for any damage due to unintended use. In such cases the responsible party shall only be the user/operator

The following is an intended purpose

- Grilling of meat, fish and vegetables.

1.4 Unintended Use

An unintended use may lead to personal injuries or property damages caused by hazardous voltage, fire or high temperature. The appliance may only be used to perform tasks described in this instruction manual.

The following is an unintended use:

- Grilling of unsuitable food products.

2 General information

2.1 Liability and Warranty

The appliance was built in accordance with the current state of the art and recognized technical safety principles. Nevertheless, during its use, there may be a threat to the health and life of the user or bystanders, or the danger of damage to the device or other assets. Warranty and liability claims for personal injury/property damage as well as defects at work are excluded if they can be attributed to one or more of the following causes:

- Use against the intended purpose
- Failure to follow/disregard the instructions and all related information
- Unauthorized structural or technical changes to the device
- Engaging insufficiently trained and insufficiently qualified personnel
- Operation with defective or incorrectly installed safety and protective devices
- Inadequate maintenance or cleaning
- Faults not fixed
- Use of prohibited media, cleaning agents, etc.
- Use of unauthorised spare parts
- Errors in operation or other misuse
- Disasters caused by foreign objects or force majeure
- Destruction of the type plate and stickers relevant for operation and safety

2.2 Copyright Protection

This instruction manual, and texts, drawings and images included in it, as well as its other components are copyright protected. It is prohibited to reproduce this instruction manual (including its excerpts), in any form and by any means, and to use and/or transfer its content to third parties without manufacturer's written permission. Violation of the above results in obligation to pay compensation. We reserve the right to claim further damages.

2.3 Declaration of Conformity

The appliance meets the currently applicable standards and guidelines of the European Union. We confirm the above in the EC Declaration of Conformity. We may provide relevant Declaration of Conformity upon request.

3 Transport, Packaging and Storage

3.1 Delivery Check

Immediately upon reception, check the delivery for completeness and possible shipping damage. In the case of visible transport damage refuse to accept the appliance or accept it conditionally. Mark and note the scope of damage in shipping documents/consignment list of the shipping company and lodge a complaint. Concealed damage must be reported immediately upon its discovery, as compensation claims may only be filed within applicable time limits.

If you find that parts or accessories missing, please contact our Customer Service Department.

3.2 Packaging

Do not dispose of the appliance cardboard box. It may be used to store the appliance when relocating or when shipping the appliance to our service point in the case of any damages.

The packaging and its elements are made of recyclable materials. Particularly, these are: plastic films and bags, cardboard box.

When disposing of the packaging, observe applicable domestic regulations. Recyclable packaging materials should be recycled.

3.3 Storage

Leave the packaging closed until installation of the appliance; observe external indications concerning method of placing and storage. Store the packaging in the following conditions only:

- in closed rooms;
- in dry and dust-free surrounding;
- away from aggressive agents;
- in a location protected against sunlight;
- in a location protected against mechanical shocks.

In the case of extended storage (over three months), make sure you check the condition of the packaging and the parts regularly. If needed, replace the packaging with a new one.

4 Technical Data

4.1 Technical Specifications

Version / Characteristics: 1152473 / 1152483

- Series: 650
- Type: table-top appliance
- Supply type: gas
- Gas type:
 - liquid gas
 - natural gas nozzles are enclosed
- Ignition type: piezoelectric ignition
- Heating zones may be controlled separately
- Safety thermostat
- Grease collection container
- Splash guard
- The set includes: 1 cleaning scraper

Name:	Griddle plate 650 400G-G
Art. No.:	1152473
Material:	CNS 18/10
Roasting surface material:	steel
Roasting surface design:	smooth
Roasting surface dimensions (W x D), in mm:	390 x 510
Number of heating zones:	1
Temperature range, min.–max., in °C:	80 - 280
Connected load:	6,5 kW
Dimensions (W x D x H), in mm:	400 x 650 x 295
Weight, in kg:	35,4

Name:	Griddle plate 650 600G-G
Art. No.:	1152483
Material:	CNS 18/10
Roasting surface material:	steel
Roasting surface design:	smooth
Roasting surface dimensions (W x D), in mm:	590 x 510
Number of heating zones:	2
Temperature range, min.–max., in °C:	80 - 280
Connected load:	13 kW
Dimensions (W x D x H), in mm:	600 x 650 x 295
Weight, in kg:	50,6

We reserve the right to implement technical modifications.

Gas Pressure Table

Countries	Appliance categories	Gas pressure (mbar)	Connection pressure (mbar)		
			Rated	Min.	Max.
LU-PL	I2E	G20	20	17	25
NO	I2H	G20	20	17	25
NL	I2L	G25	25	20	30
NL	I2EK	G20	20	17	25
		G25.3	25	20	30
NO-NL-CY-MT	I3B/P	G30/G31	28-30	25	35
PL	I3B/P	G30/G31	37	25	45
BE-FR	II2E+3+	G20/G25	20/25	17	25/30
		G30/G31	28-30/37	20/25	35/45
DE	II2ELL3B/P	G20	20	17	25
		G25	20	18	25
		G30/G31	50	42.5	57.5
ES-GB-GR-IE-IT-PT-SK	II2H3+	G20	20	17	25
		G30/G31	28-30/37	20/25	35/45
DK-FI-SE-BG-EE-LV-LT-CZ-SI-TR-HR-RO	II2H3B/P	G20	20	17	25
		G30/G31	28-30	25	35
AT-CH	II2H3B/P	G20	20	17	25
		G30/G31	50	42.5	57.5
HU	II2HS3B/P	G20	25	18	33
		G25.1	25	18	33
		G30/G31	28-30	25	35
HU	II2HS3B/P	G20	25	18	33
		G25.1	25	18	33
		G30/G31	50	42.5	57.5

Countries	Appliance categories	Gas pressure (mbar)	Connection pressure (mbar)		
			Rated	Min.	Max.
DK-SE	III1a2H3BP	G20	20	17	25
		G30/G31	28-30	25	35
		G110	8	6	15
IT-CH	II1a2H	G20	20	17	25
		G110	8	6	15
NL	II2EK3B/P	G20	20	17	25
		G25.3	25	20	30
		G30/G31	28-30	25	35

Tab. 1

Nozzles and settings

Countries	Gas type	Pa (mbar)	Ref.	Model / Art. No.
				400G-G / 1152473 600G-G / 1152483
AT-BE-BG-CH-CZ-DE-DK-EE-ES-FI-FR-GB-GR-HR-IE-IT-LT-LU-LV-NO-PL-PT-RO-SE-SI-SK-TR	G20 G20/ G25	20 20/25	UM	185R
			UP	27.2
			A(mm)	4
			Um	-
DE	G25	20	UM	200R
			UP	27.2
			A(mm)	3
			Um	-
NL	G25.3	25	UM	185R
			UP	27.2
			A(mm)	4
			Um	-

Technical Data

Countries	Gas type	Pa (mbar)	Ref.	Model / Art. No.
				400G-G / 1152473 600G-G / 1152483
HU	G20	25	UM	175R
			UP	27.2
			A(mm)	4
			Um	-
HU	G25.1	25	UM	195R
			UP	27.2
			A(mm)	2
			Um	-
BE-BG-CY-CZ-DK- EE-ES-FI-FR-GB- GR-HR-HU-IE-IT-LT- LU-LV-MT-NL-NO- PT-RO-SE-SI-SK-TR	G30/ G31	28-30 /37 28-30	UM	130
			UP	16.2
			A(mm)	20
			Um	-
PL	G30/ G31	37	UM	120
			UP	16.2
			A(mm)	20
			Um	-
AT-CH-DE-HU	G30/ G31	50	UM	115
			UP	16.2
			A(mm)	20
			Um	-
IT-CH-SE-DK	G110	8	UM	390
			UP	45.2
			A(mm)	20
			Um	-

Countries	Gas type	Pa (mbar)	Ref.	Model / Art. No.
				400G-G / 1152473 600G-G / 1152483
SE	G120	8	UM	350
			UP	45.2
			A(mm)	20
			Um	0
UM: MAX nozzle				
Um: MIN nozzle				
UP: Ignition burner				
A: Air supply setting				
Pa: Connection pressure				
reg: set				

Tab. 2

Model / Art. No.			400G-G / 1152473	600G-G / 1152483
Rated heat load, Qn		kW	6,5	13
Rated heat load, Qn G25.3 (25)		kW	6,3	12,5
Total gas pressure:	G20 (20)	m ³ /h	0,69	1,38
	G25.3 (25)	m ³ /h	0,75	1,50
	G25 (20)	m ³ /h	0,80	1,60
	G20 (25)	m ³ /h	0,69	1,38
	G25.1 (25)	m ³ /h	0,80	1,60
	G110 (8)	m ³ /h	1,68	3,35
	G120 (8)	m ³ /h	1,49	2,98
	G30 (29)	kg/h	0,51	1,03
	G30 (37)	kg/h	0,51	1,03
G30 (50)	kg/h	0,51	1,03	

Tab. 3

Safety Thermostat

The appliance is equipped with the safety thermostat with manual reset, which interrupts heating up when the highest allowable temperature is exceeded.

- To reset the appliance to operational condition, press the safety thermostat reset button.
- This may be performed only by a qualified and authorised technician.

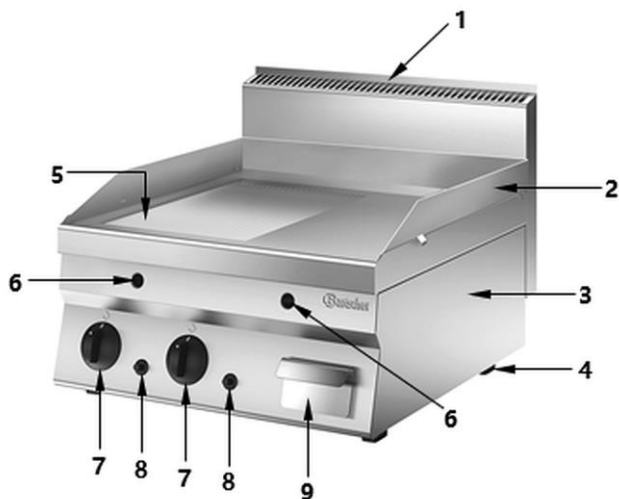
4.2 Functions of the Appliance

The 650 series distinguishes itself with optimal power usage, exceptional performance and high cleaning comfort. Owing to modular construction, it provides for ease of connection and flexibility in terms of distribution. The entire appliance is made of chrome-nickel steel 18/10. The high-quality griddle plate roasting surface is chrome-plated for excellent heat conductivity.

The 650 series griddle plate is intended for preparation of food directly on the roasting surface.

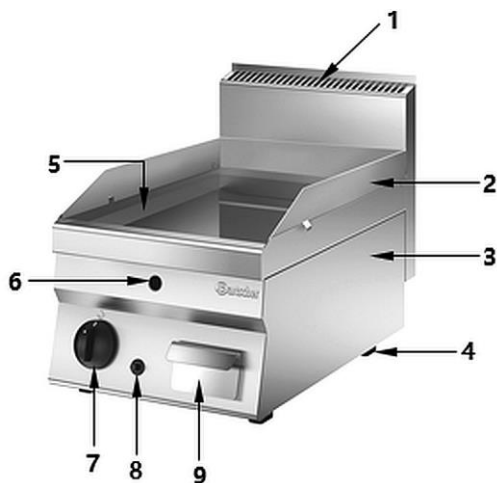
4.3 List of Components of the Appliance

1152483



EN

1152473



1. Chimney
2. Splash guard
3. Housing
4. Feet (4 pcs)
5. Roasting surface
6. Burner sight glass
7. Gas controller
8. Piezoelectric igniter
9. Grease collection tray

5 Installation Instructions

5.1 Installation



CAUTION!

Incorrect installation, positioning, operation, maintenance or misuse of the appliance may lead to personal injury or property damage.

Positioning and installation, as well as repairs may be performed by authorised technical service only and in compliance with the applicable national law.

NOTE!

The manufacturer disclaims all liability and provides no warranty for damages, which may be attributed to non-observance of regulations or incorrect installation.

Place of Installation

EN

- This appliance are A1 type appliances, which means that they do not have to be connected to a fume extraction system. In order to provide venting in the place of installation, follow indications included in DVGW G631 data sheet.
- Place the appliance in a well-ventilated room, under a fume extractor, if possible, in order to eliminate fumes or odours generated when food is prepared (see DVGW G631 data sheet).
- A room, in which the appliance is installed, should contain the amount of air necessary for burning gas according to regulations in force. For proper burning, the required fresh air inflow may not be lower than 2 m³/h per kW of appliance's rated power (see appliance's rated plate). Additionally, accident prevention regulations should be observed.
- Make sure that there are no objects near or under the appliance that may restrict the amount of air necessary for burning.
- Before placing the appliance, check the dimensions and exact position of gas connections.

Unpacking / Positioning

- Unpack the appliance, remove all external and internal packaging elements and shipment safeguards.



CAUTION!

Choking hazard!

Prevent children from accessing packaging materials, for instance: plastic bags and EPS elements.

- If the appliance is covered with a protective film, remove it. Remove the film slowly, so no glue residues are left. Remove any glue residues with the use of a suitable solvent.
- Be careful not to damage the rating plate and warning labels affixed to the appliance.
- **Never** place the appliance in humid or wet environment.
- Place the appliance in a way making the connections easily accessible, so that they may be quickly disconnected if such a need arises.
- When selecting the installation site, please consider the following items:
 - The mounting surface must be even, sufficiently load-bearing, waterproof, dry and resistant to high temperatures.
 - Make sure that the designated escape routes are clear.
 - Ensure a stable position.
 - Allow sufficient space for work, maintenance and cleaning.
 - Leave the supply and exhaust air vents, if any, free.
 - Comply with applicable technical and building regulations.
- Maintain sufficient clearance from table edges. The appliance might turn over and fall down.
- Never place the appliance directly next to walls, furniture, or other objects made of flammable materials. Maintain minimum clearance of 200 mm between side and rear walls and the said objects and walls. Maintain clearance of at least 600 mm between the appliance's surface and horizontal surfaces over the appliance.
- If keeping the minimum clearance is not possible, walls should be isolated with non-combustible, thermo-insulation materials (e.g., films made of heat resistant materials, which may sustain temperature of at least 65°C). Follow fire protection regulations in force.
- When adjusting the feet, level the appliance and set its height. Considerable differences in height or tilting may negatively affect the appliance's operation.

Connection to Gas Installation

- Before making the connection to gas installation, make sure that the appliance is set to gas and pressure is available in the installation location (see rating plate on the appliance and packaging). If factory default settings are not suitable, the appliance must be adapted to the available gas type (section '**Resetting to Other Type of Gas / Required Adjustments**').
- The attested gas shut-off valve must be installed in an easily accessible location between the gas supply installation and the appliance, so that, if needed, gas supply may be interrupted at any time.
- Check if the gas cylinder (if it is included) is correctly set up and secured, and if it is located in a dry place.
- Connect the appliance to the gas supply installation, using rigid connection tubes or flexible steel hoses, with section suitable for the given rated power and length.
- Use only connection tubes with, at least, diameters equalling the diameter of the appliance's gas connection. Gas connection stub is found at the back of the appliance.
- Make sure that flexible hoses do not run on or near hot surfaces, are not subject to stress or pressure and do not come into contact with sharp edges or other objects that could damage the tube.
- After connecting the appliance, all connection points between the installation and the appliance must be subject of tightness check. To this end, use spray for detecting leakages or foam producing agents, which do not spur corrosion. Connection points should be covered with an agent - no air bubbles should be produced. Also the gas shut-off valves should be subject of this check.

WARNING!

Do not use open fire to test tightness.

Checking Gas Pressure and Rated Heat Load

- With first installation, the gas installation technician must verify the appliance's rated heat load, as well as conduct maintenance, and, if needed, resetting to other type of gas.
- DO NOT attempt to increase the power nor rated heat load specified by the manufacturer.
- Check the rated heat pressure with gas meter and a stop watch. Measure exactly the amount of gas flowing per unit of time the appliance is consuming with maximum power.

- Compare the measured value with data on consumption in section '**Technical Specifications**', Table 3. Admissible deviation is $\pm 5\%$.

Resetting to Other Type of Gas / Required Adjustments

The appliances are set to the following gas type:

natural gas E

Check the type of the supplied gas in the country of installation, and, if needed, reset the appliance to the other gas type.

Tables 1 and 2 in section '**Technical Specifications**' provide, depending on the country of installation:

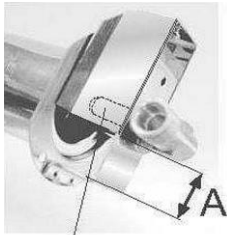
- what gas types may be used to power the appliance;
- nozzles and settings for each gas type that is used.

The number provided in Table 2 for proper nozzles is pressed on nozzles' bodies.

In order to adapt the appliance to the gas type, with which it may be effectively operated, collect data from Table 2 and perform the following actions:

- exchange main burner's nozzle (UM)
- fit main burner air controller within the distance A
- exchange ignition burner's nozzle (UP)
- perform air adjustment of ignition burner (if needed).

Exchange of Main Burner Nozzle / Primary Air Adjustment



UM

Fig. 1



Z

V

Fig. 2

1. Remove the knob(s).
2. Unscrew front guard (operation panel) and remove it from the appliance.
3. Loosen V bolt (Fig. 2).
4. Remove main burner's nozzle, UM (Fig. 1) and exchange it with a nozzle provided in Table 2 (part of the delivery).
5. Re-tighten main burner's nozzle, UM (Fig. 1).
6. Set the air controller Z (Fig. 2) within the distance of A, as provide in Table 2.
7. Re-tighten firmly the V bolt (Fig. 2).

EN

Exchange of Ignition Burner Nozzle

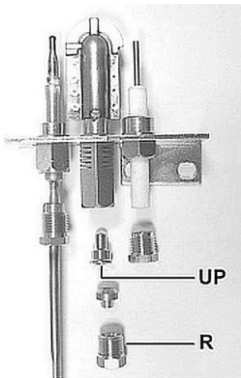


Fig. 3

1. Remove the front guard / operation panel.
2. Unscrew the R connection (Fig. 3).
3. Remove the UP nozzle and exchange it with a nozzle provided in Table 2 (part of the delivery).
4. Re-tighten the R connection.
5. Reinstall removed elements in reverse order.

- When the nozzles are exchanged, it is necessary to verify functions of the appliance, as set forth in section '**Verification of Functions**'.
- To end with, exchange the old rating plate to a new one, included in the delivery, and containing different data and indication of the new type.

Functional Control

- Before test-running, install the appliance in a well ventilated room and remove any flammable materials from the vicinity of the appliance.
- Before starting, perform the tightness test using soapsuds. Cover connections and pipe fittings with soapsuds. Leakages are revealed when bubbles are produced on couplings and pipe connections. Other method involves observation of gas meter. No reaction of gas meter indicates that there are no gas leakages.

CAUTION!

Do not use open flame for checking tightness of gas installation!

- Restart the appliance, observing indications in section '**Appliance Start-up**'.
- Check the appliance for gas tightness (see DVGW data sheets, TRGI/TRF).
- Verify burner's ignition.
- Verify flame shape.

6 Operating Instruction

Indications for the User

- Read carefully this instruction manual. It contains important indications for installation, usage and maintenance of the appliance.
- Before operating the appliance, make sure that its condition is flawless and that it is located in a well ventilated room.
- Always strictly observe the following safety precautions:
 - Check if there are no objects near or under the appliance that may restrict the amount of air necessary for burning.
 - Never cover ventilation and discharge openings in the appliance.
 - If the malfunction persists, do not use the appliance and order gas installation technician's visit.
 - Any manipulation with the appliance, assembly or maintenance work may be performed exclusively by the authorized service personnel.
 - The user is authorized to perform only everyday routine cleaning to maintain the device in a good condition.
 - The appliance should be used solely for grilling of suitable food products; do not use it for any other purposed. The use against the intended purpose may lead to severe injury or damage caused by, for example, high temperatures and fire, etc.
 - Never leave the operating appliance without supervision.
 - If the appliance is not to be used any more, rotate the gas controller(s) to OFF position and close the gas shut-off valve in the gas line.

ATTENTION!

Never use the grill grate for heating up food in pots, pans nor GN containers!

Operation of the chrome-plated roasting surface

ATTENTION!

Appliances with a chrome-plated roasting surface should be preheated to 200°C for approx. 30 minutes before preparing food.

- Proceed particularly carefully with the chrome-plated roasting surface. Use the included cleaning scraper to remove all food residues after each preparation.

6.1 Operation



WARNING!

Risk of burns!

During operation, the housing and roasting surface become very hot and remain hot for a while after switching the appliance off.

Do not touch the appliance!

To control the appliance, use only designated control elements.

Use suitable grilling utensils for placing and removing grilled products.

The grease collection container and its contents are very hot.

Empty the grease collection container only when it has cooled down.

Fire hazard!

Never place any kitchen utensils, towels, paper, etc., on the roasting surface during operation. Do not place plastic nor any other containers on the roasting surface.

Preparation of the Appliance

1. Before use, clean the appliance, observing instructions in section 6 '**Cleaning**'.
2. Dry the appliance thoroughly.
3. Before you operate the appliance, place the grease collection container in an opening prepared for this underneath the roasting surface.
4. Install the splash guard on the housing of the appliance.

Appliance Start-up

The **1152483** appliance is equipped with 2 heating zones and respective separate control elements, owing to which the heating zones may be used and set-up separately.

Each time, the below description pertains to one heating zone.



Fig. 4

Each gas controller features the following operating positions:


'0' – ON position



– switching ignition burner on


1–7 – temperature levels

Switching Ignition Burner On


1. Press the gas controller and rotate it to  position.
2. Press the gas controller fully and switch off the ignition burner, using the piezoelectric igniter's button.
3. Keep the gas controller knob pressed for approx. 20 seconds, and then release it. If the ignition flame is out, repeat the process.

The ignition flame may be observed via the sight glass, when the grease collection container is removed.

Switching Main Burner On

1. Rotate the main burner from  position to **7** position.
2. Rotate the gas controller depending on the required temperature of heat processing to one of the temperature levels of **1–7**.

Switching Off

1. To switch the main burner off, rotate the gas controller to  position.
2. To switch the ignition burner off, press and hold the gas controller, while rotating it to '0' position.

Food Preparation

1. Heat the roasting surface to the temperature selected for a given food.
2. Prepare products for grilling.
3. Place them one by one on the roasting surface.
4. During grilling, the grease and left-overs are drained through the grease drain opening to the grease collection container.
5. Check the grease collection container regularly.
6. Empty the grease collection container when the operation is finished and the appliance has cooled down.
7. Observe grilled products during grilling process.
8. Rotate grilled products in the meantime.
9. Remove grilled and ready products from the roasting surface, using suitable grilling utensils (grill tongs, grill fork, etc.).
10. When the grilling process is finished and the appliance is no longer used, rotate the gas controller to '0' position.
11. Close the gas shut-off cock.

7 Cleaning and Maintenance

The operator must ensure that the device and its safety components are kept in good condition. Control and safety systems should be checked for their effectiveness.

Maintenance, cleaning and repairs must only be carried out by suitably trained and specialised personnel.

If the safety devices need to be removed for maintenance, cleaning and repair, they should be reinstalled immediately after completion and their function should be checked.

All maintenance and cleaning work must be carried out in accordance with the operating instructions at the specified intervals.

7.1 Safety Instructions for Cleaning

- Close the gas supply valve before cleaning.

Cleaning and Maintenance

- Leave the appliance to cool down completely.
- Do not clean the appliance with a pressurized water jet.
- Do not use any sharp or pointed, nor metal implements (knife, fork, etc.). Sharp or pointed objects may damage the appliance.
- For cleaning, do not use any scouring agents that contain solvents nor corrosive cleaning agents. They may damage the surface.

7.2 Cleaning

1. When the grilling process is finished and the appliance has cooled down, clean the appliance thoroughly.
2. Using the enclosed cleaning scraper to this end, move grilling left-overs from the roasting surface over the grease drain opening and down to the grease collection container.
3. Remove the splash guard of the appliance and clean it with warm water, a soft cloth and a mild cleaning agent.
4. To end with, clean the roasting surface with a soft cloth and a neutral cleaning agent.
5. Rinse a few times with clean water to remove all traces of the cleaning agent.
6. Remove the grease collection container and empty it.
7. Clean the grease collection container with warm water, a mild cleaning agent and a soft cloth or sponge.
8. Rinse in fresh water.
9. Wipe the housing, chimney, and control elements of the appliance with a soft cloth soaked in warm water and a mild cleaning agent.
10. Finally, thoroughly dry all washed surfaces and detachable elements of the appliance.
11. Refit the removed elements back in the appliance.
12. Use food oil to apply a thin protective layer onto the roasting surfaces.

EN

7.3 Maintenance

ATTENTION!

Any works interfering in the appliance must be performed by professional and qualified personnel.

We recommend to order the maintenance of the appliance with the qualified and authorised maintenance technician at least twice a year.

Perform the following maintenance works:

- Operation verification of the available control elements and protective devices;
- Verification of the flame;
- Verification of the ignition;
- Verification of the flame's safety;
- Verification of functions.

Operate the appliance observing the instruction manual and indications in section **'Indications for the User'** and check:

- gas supply pressure (see next section).
- correct switching of burners and operation of the fume extractor (chimney).

Gas Supply Pressure Check

Use a suitable manometer with 0.1 mbar minimum pitch.

- Remove operating panels.
- Remove the retaining screw from the pressure connection.
- Connect the manometer.
- Perform the measurement with an operating appliance.
- Disconnect the manometer and re-tighten the retaining screw back to the pressure connection.

ATTENTION!

If the gas supply pressure is outside the limit values range (min. – max.) in Table 2, interrupt the appliance's operation and contact local gas supply operator.

Cleaning Performed by the Maintenance Technician

At least twice a year, have the authorised maintenance technician perform the cleaning of the appliance's interior.

8 Possible Malfunctions

The table below contains descriptions of possible causes and solutions to malfunctions or errors during operation of the appliance. The works may only be performed by suitably qualified technical personnel.

Problem	Possible Cause	Solution
Ignition burner does not switch on	Insufficient gas supply pressure	Check gas supply
	Clogged line or nozzles	Contact the service company
	Spark plug is incorrectly connected or damaged	Connect spark plug or replace it
	Igniter or spark plug line is damaged	Contact the service company
	Damaged gas controller	Contact the service company
Ignition burner does not switch on or goes out when the gas controller or piezoelectric igniter is released	Thermo-element is incorrectly connected to the gas controller	Contact the service company
	Thermo-element is damaged or insufficiently heated up by the ignition burner	Repeat the ignition process
	Damaged gas controller	Contact the service company
	Gas controller was not pressed long enough	Press and keep the gas controller pressed for 20 seconds
	Damaged gas fittings	Contact the service company

Problem	Possible Cause	Solution
Main burner does not switch on when the ignition burner is on	Loss of pressure in gas supply line	Check gas supply
	Clogged line or nozzles	Contact the service company
	Damaged gas controller	Contact the service company
	Main burner is damaged or gas outlet openings are clogged	Contact the service company
Heating power output control is not possible	Damaged gas controller	Contact the service company

9 Disposal

At the end of the appliance's operational life cycle, dispose of the appliance, observing national and local regulations. To this end, we recommend contacting a professional company or local authorities' unit, proper for utilisation matters.

Before disposing of the appliance make sure that the appliance cannot be restarted to prevent any abuse and related risks, and then deliver it to the local collection point.