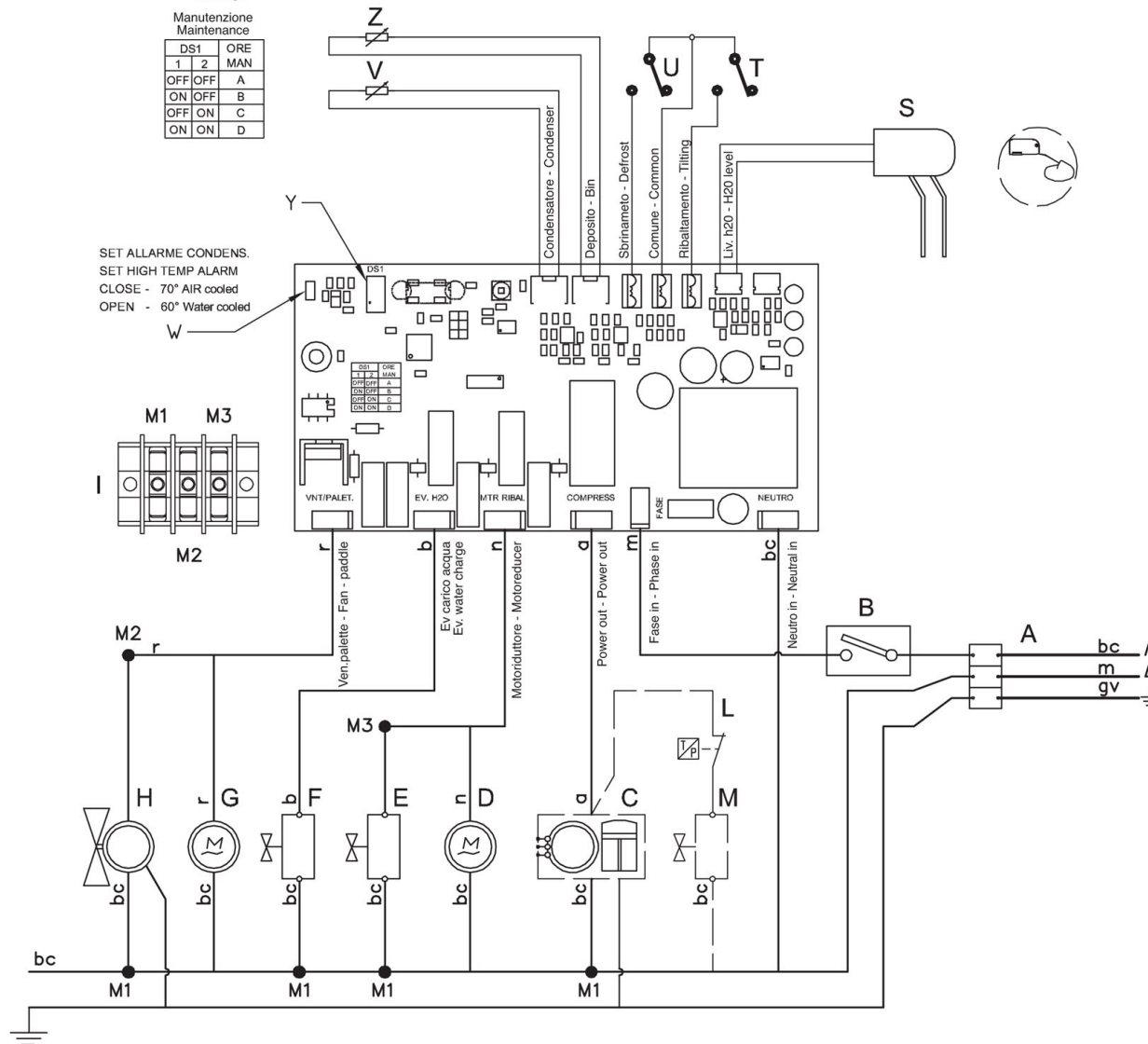
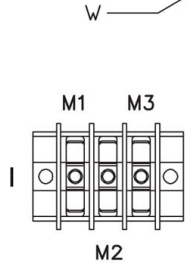


Y Set intervallo
Set range

Manutenzione
Maintenance

DS1	ORE	
1	2	MAN
OFF	OFF	A
ON	OFF	B
OFF	ON	C
ON	ON	D

SET ALLARME CONDENS.
SET HIGH TEMP ALARM
CLOSE - 70° AIR cooled
OPEN - 60° Water cooled



- A Anschlusskabel/power cord
- B Hauptschalter/main switch
- C Kompressor/compressor
- D Motor, Kippmotor/harvest motor
- E Heißgasventil/hot gas solenoid valve
- F Wassereinlassventil/water inlet valve
- G Paddelmotor/paddle motor
- H Lüftermotor/fan motor
- I Bedienfeld/terminal board
- M Kühlwasserventil/water cooled valve
- S Wasserstandsensordr/water level sensor
- T Schalter, abtauen ENDE/
end defrosting switch
- U Schalter, abtauen START/
start defrosting switch
- V Temperaturfühler, Kondensator/
condenser temperature probe
- Z Füllstandfühler/bin full probe
- Y Kippschalter, Service-Alarm/
service alarm dip switch
- W Schalter-Set, Temperaturalarm/
switch set high temperature alarm

Kabelstück/cable section



- m braun/brown
- bc hellblau/light blau
- gv gelb-grün/yellow-green
- b weiß/white
- n schwarz/black
- r rot/red
- a orange/orange