

Contessa 1000



A190056

Bartscher GmbH
Franz-Kleine-Str. 28
D-33154 Salzkotten
Germany

Phone: +49 5258 971-0

Fax: +49 5258 971-120

Technical Support Hotline: +49 5258 971-197

www.bartscher.com



Version: 1.0

Date of preparation: 2020-01-14

Original instruction manual

1	Safety	2
1.1	Explanation of signal words	2
1.2	Safety instructions.....	3
1.3	Intended use	6
1.4	Unintended use.....	6
2	General information	7
2.1	Liability and warranty	7
2.2	Copyright protection.....	7
2.3	Declaration of conformity	7
3	Transport, packaging and storage	8
3.1	Delivery check	8
3.2	Packaging	8
3.3	Storage	8
4	Technical data	9
4.1	Technical specifications	9
4.2	List of components of the appliance.....	10
4.3	Functions of the appliance	11
5	Installation and operation	12
5.1	Installation.....	12
5.2	Operation	13
6	Cleaning	16
6.1	Safety Instructions for cleaning	16
6.2	Cleaning.....	17
6.3	Descaling.....	18
7	Possible malfunctions.....	20
8	Disposal.....	22



Read this instruction manual before using and keep it available at all times!

This instruction manual contains information about installation, operation and maintenance of the appliance and constitutes an important source of information and reference guide. The knowledge of all operational and safety instructions included in this manual is a prerequisite for safe and proper handling of the appliance. Additionally, accident prevention, occupational health and safety, and legal regulations in force in the area the appliance is used apply.

Before you start using the appliance, especially before turning it on, read this instruction manual in order to avoid personal injuries and property damages. Improper use may cause damage.

This instruction manual forms an integral part of the product and must be stored in an immediate vicinity of the appliance and be available at all times. The instruction manual should be transferred together with the appliance.

1 Safety

EN

This appliance has been manufactured in accordance with technical standards currently in force. However, the appliance may be a source of hazards if used improperly or contrary to its intended purpose. All persons using the appliance must consider information included in this instruction manual and observe safety instructions.

1.1 Explanation of signal words

Important safety instructions and warning information are indicated in this instruction manual with appropriate signal words. You must strictly follow the instructions, to prevent accidents, personal injuries and property damages.



DANGER!

The signal word **DANGER** warns against hazards that lead to severe injuries or death if the hazards are not avoided.



WARNING!

The signal word **WARNING** warns against hazards that may lead to moderate or severe injuries or death if the hazards are not avoided.



CAUTION!

The signal word **CAUTION** warns against hazards that may lead to light or moderate injuries if the hazards are not avoided.

IMPORTANT!

The signal word **IMPORTANT** indicates possible property damages, which may occur if safety instructions are not observed.

NOTE!

The symbol **NOTE** indicates subsequent information and guidelines for the user on usage of the appliance.

1.2 Safety instructions

Electrical current

- Too high a mains voltage or incorrect installation may cause electric shock.
- The appliance may be connected only if data on the rating plate correspond with the mains voltage.
- To avoid short-circuit, the appliance should be kept dry.
- If there are malfunctions during operation, disconnect the appliance from the power supply.
- Do not touch the appliance's plug with wet hands.
- Never take hold of the appliance if it has fallen into water. Immediately disconnect the appliance from the power supply.
- Any repairs or housing opening may be carried out by professionals and relevant workshops only.
- Do not transport the appliance, holding it by the power cord.
- Do not allow the power cord to come into contact with heat sources or sharp edges.
- Do not bend, pinch nor knot the power cord.
- Always completely unwind the power cord.

- Never place the appliance or other objects on the power cord.
- Always take hold of the plug to disconnect the appliance from the power supply.

Flammable materials

- Never subject the appliance to contact with high temperature sources, e.g.: oven, furnace, open flame, heat generating devices, etc.
- To avoid fire hazard, clean the appliance regularly.
- Do not cover the appliance with, e.g., aluminium foil or cloths.
- Use the appliance only with materials designated to this end and with correct temperature settings. Materials, groceries and left-overs remaining in the appliance may catch fire.
- Never use the appliance near flammable or inflammable materials, e.g.: petrol, spirit, alcohol, etc. High temperature triggers evaporation of these materials, and, as a result of contact with sources of ignition, an explosion may occur.
- In case of fire, disconnect the appliance from the power supply before attempting suitable fire-extinguishing actions.
- Never attempt to extinguish fire with water if the appliance is connected to the power supply. Following extinction of fire, ensure sufficient fresh air inflow.

EN

Hot surfaces

- Surfaces of the appliance become hot during operation. Burning hazard! High temperature remains for some time after switching the appliance off.
- Do not touch any hot surfaces of the appliance. Use the provided handling elements and holders.
- You may transport and clean the appliance after it cools down entirely.
- It is prohibited to sprinkle hot surfaces with cold water or flammable liquids.

Safety

Health hazard due to germs!

- The water tank must be regularly emptied and disinfected to eliminate the possibility of accumulation of harmful and dangerous germs.

Supervised usage only

- Only supervised appliance may be used.
- Always remain in an immediate vicinity of the appliance.

Operating personnel

- The appliance may only be operated by qualified personnel and trained specialist personnel.
- This appliance may not be operated by persons (including children) with limited physical, sensory or mental capabilities, nor by persons with limited experience and/or limited knowledge.
- Children should be supervised to ensure that they are not playing with or switching on the appliance.

Improper use

- Unintended or prohibited use may cause damage to the appliance.
- The appliance may only be used in a technically flawless condition, providing for safe use.
- The appliance may only be used with connections in a technically flawless condition, providing for safe use.
- The appliance may only be used clean.
- Use only original spare parts. Never attempt to repair the appliance on your own.
- Do not attempt to modify nor alter the appliance.

1.3 Intended use

As described below, every use of the appliance for a purpose differing and/or diverging from its intended standard use, is prohibited and considered to be an unintended use.

The following is an intended use:

- Brewing coffee with the use of ground coffee, a filter and cold water.

1.4 Unintended use

An unintended use may lead to personal injuries or property damages caused by hazardous voltage, fire or high temperature. The appliance may only be used to perform tasks described in this instruction manual.

The following is an unintended use:

- Preparing other beverages.
- Brewing liquids containing sugar, sweeteners, acids, lyes, or alcohols.
- Storing and heating up flammable, harmful, and quickly evaporating liquids or materials, etc.

2 General information

2.1 Liability and warranty

All information and instructions in this instruction manual account for legal regulations in force, current level of technical engineering knowledge as well as our expertise and experience, developed over the years. If special models or additional options are ordered, or state-of-the-art technical solutions were implemented, the actual scope of delivery of the appliance may, in some circumstances, differ from descriptions and numerous drawings in this instruction manual.

The manufacturer is not liable for any damages nor faults stemming from:

- failure to observe instructions,
- unintended use,
- technical alterations introduced by the user,
- usage of unapproved spare parts.

We reserve the right to introduce technical modifications to the product, intended for improvement of the appliance and its performance.

2.2 Copyright protection

This instruction manual, and texts, drawings and images included in it, as well as its other components are copyright protected. It is prohibited to reproduce this instruction manual (including its excerpts), in any form and by any means, and to use and/or transfer its content to third parties without manufacturer's written permission. Violation of the above results in obligation to pay compensation. We reserve the right to claim further damages.

EN

2.3 Declaration of conformity

The appliance meets the currently applicable standards and guidelines of the European Union. We confirm the above in the EC Declaration of Conformity. We may provide relevant Declaration of Conformity upon request.

3 Transport, packaging and storage

3.1 Delivery check

Immediately upon reception, check the delivery for completeness and possible shipping damage. In the case of visible transport damage refuse to accept the appliance or accept it conditionally. Mark and note the scope of damage in shipping documents/consignment list of the shipping company and lodge a complaint. Concealed damage must be reported immediately upon its discovery, as compensation claims may only be filed within applicable time limits.

If you find that parts or accessories missing, please contact our Customer Service Department.

3.2 Packaging

Do not dispose of the appliance cardboard box. It may be used to store the appliance when relocating or when shipping the appliance to our service point in the case of any damages.

The packaging and its elements are made of recyclable materials. Particularly, these are: plastic films and bags, cardboard box.

EN

When disposing of the packaging, observe applicable domestic regulations. Recyclable packaging materials should be recycled.

3.3 Storage

Leave the packaging closed until installation of the appliance; observe external indications concerning method of placing and storage. Store the packaging in the following conditions only:

- in closed rooms;
- in dry and dust-free surrounding;
- away from aggressive agents;
- in a location protected against sunlight;
- in a location protected against mechanical shocks.

In the case of extended storage (over three months), make sure you check the condition of the packaging and the parts regularly. If needed, replace the packaging with a new one.

4 Technical data

4.1 Technical specifications

Name:	Coffee machine Contessa 1000
Item No.:	A190056
Material:	Stainless steel, plastic
Jug volume, in l:	1,8
Number of hobs:	1
Number of warming plates:	1
Max. output, number of cups:	11
Brewing time of 1.8 l, in min.:	7
Minimum brewing volume, in l:	0,5
Power supply:	1,5 kW / 230 V / 50-60 Hz
Dimensions (W x D x H) in mm:	215 x 385 x 460
Weight in kg:	6,5

We reserve the right to implement technical modifications!

Version / Characteristics

- Version: basket filter
- Jug(s) design: glass
- Warm-keeping function
- Control: rocker switch
- ON/OFF switch
- Indicator lights:
 - Ready
 - ON/OFF
 - Warm-keeping
- Stainless steel heating element
- The set includes: 1 glass jug



4.2 List of components of the appliance



Fig. 1

1. Top warming plate
2. ON/OFF switch with integrated operation indicator light (red)
3. ON/OFF switch of the top warming plate with integrated indicator light (red)
4. Heating-up indicator light (red)
5. Water tank
6. Bottom hob
7. Glass jug
8. Filter basket
9. Cover flap for cold water fill opening

Auxiliary equipment (not included in the delivery!)

	Description	Art. no.:
	<p>Basket filter, paper, 250 pieces Order unit: 1 box (250 filters) Top diameter: 250 mm Bottom diameter: 90 mm Size: W 150 x D 150 x H 85 mm Weight: 0.45 kg</p>	<p>190015250</p>
	<p>Basket filter, paper, 1,000 pieces Order unit: 1 box (1,000 filters) Top diameter: 250 mm Bottom diameter: 90 mm Size: W 150 x D 150 x H 85 mm Weight: 1.79 kg</p>	<p>190014</p>
	<p>Descaling agent B15-30, 30 pcs. Order unit: 1 box (30 bags, 15 g each) Version: powder, highly concentrated Dimensions: W 68 x D 4 x H 100 mm Weight: 0.45 kg</p>	<p>190065</p>

4.3 Functions of the appliance

The appliance is designed for brewing coffee with the use of a filter and cold water.

5 Installation and operation

5.1 Installation

Unpacking / Positioning

- Unpack the appliance, remove all external and internal packaging elements and shipment safeguards.



CAUTION!

Choking hazard!

Prevent children from accessing package materials, for instance: plastic bags and EPS.

- If the appliance is covered with a protective film, remove it. Remove the film slowly, so no glue residues are left. Remove any glue residues with the use of a suitable solvent.
- Be careful not to damage the rating plate and warning labels fixed on the appliance.
- **Never** place the appliance in humid or wet environment.
- Place the appliance in a way making the connections easily accessible, so that they may be quickly disconnected if such a need arises.
- The appliance should be placed on surfaces that are:
 - even, with sufficient bearing capacity, resistant to water, dry and resistant to high temperatures;
 - sufficiently large, and thus enabling usage of the appliance with no problems;
 - easily accessible;
 - well ventilated.
- Maintain sufficient clearance from table edges. The appliance might turn over and fall down.
- Leave at least 10 cm clearance from flammable walls and items.

Power supply connection

- Verify if technical data of the appliance (see rating plate) correspond with the local electric power grid specification.
- Connect the appliance to a single, properly grounded mains socket with protective contact. Do not connect the appliance to a multi-socket.
- The power cord should be laid in a way preventing anyone from threading on it or tripping against it.
- Do not use the appliance with an external timer or remote control.

5.2 Operation



WARNING!

Risk of burns!

The top warming plate (if it is OFF) and bottom hob become very hot during operation and remain hot for a certain period of time after switching off.

Do not touch hot surfaces.

The filter basket and the coffee dregs are hot after the brewing process.

In order to remove the coffee dregs, remove the filter basket carefully.

Risk of burns!

During the brewing a small amount of hot steam is produced.

Maintain caution when removing the glass jug from the hob.

ATTENTION!

Never fill hot water into the water tank.

Do not fill water into the hot device. Wait until it has cooled down.

Before the first use

1. Before using the coffee machine for the first time, circulate water 2 or 3 times without coffee, to rinse the appliance (section "**Coffee Preparation**").
2. Due to the design of the appliance, after the first use, a small amount of water remains in the water container. Take this into consideration when refilling the tank with water.

3. The water tank should always be filled with the amount of water that equals the volume of the enclosed glass jug.

The amount of coffee brewed will be the same as the amount of water poured.

If, accidentally, the water tanks is filled with an excessive amount of water, the excess of water will flow through the overflow hose (a).

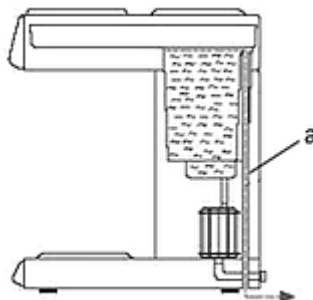


Fig. 2

4. Before use, the glass jug and the filter basket should be washed thoroughly with warm water and gentle washing agent, rinsed with fresh water and dried thoroughly at the end.
5. Wipe the appliance housing with a moist cloth and wipe dry with a soft cloth.
6. Plug the appliance into a suitable single socket.
7. The coffee machine is ready for use.

Coffee preparation

ATTENTION!

Fill the water tank only with fresh drinking water. Never pour sugar, coffee, tea or milk into the fill opening of the coffee machine.



Fig. 3



Fig. 4

EN

1. Open the fill opening flap.
2. Fill the water tank with fresh drinking water with the necessary volume of water, up to 1.8 litres.
3. The minimum amount necessary for brewing coffee is 0.5 litre.
4. Remove the filter basket.
5. Into the filter basket, insert Bartscher paper basket filter (art. No. 190014 or 190015250).
6. Add a proper amount of ground coffee into paper basket filter. According to your liking, add 35 - 50 g of coffee per a litre of water.
7. Place the filter basket in the guides and slide it all the way to the rear until it 'clicks' into place.
8. Place an empty glass jug on the bottom hob, so that the jug fill opening is located under the filter basket outlet opening.
9. Switch the appliance on with the ON/OFF switch. The red operation indicator light in the ON/OFF switch comes on. The red heating-up indicator light will be lit and will remain on during the entire brewing process. Coffee will begin to brew. After a short while, hot coffee starts to flow into the jug. When the brewing process is over, the red heating-up indicator light is off.

The coffee is ready to be served.

Keeping coffee hot

If the coffee in the jug is to remain hot, leave the jug on the bottom heating hob. Additionally, the coffee machine is equipped with top heating plate, which is operated independently. If needed, the heating plate may be switched on and off with the dedicated ON/OFF switch.

Overheating protection

The appliance is equipped with the overheating protection. If overheating occurs during dry operation or scaling, it engages and switches the appliance off. When the cause is removed, the coffee machine may be switched on again in order to restore its operational readiness, by pressing the RESET button at the rear side of the appliance.

6 Cleaning

6.1 Safety Instructions for cleaning

EN

- Before cleaning, disconnect the appliance from the power supply.
- Leave the appliance to cool down completely.
- Make sure water does not enter the appliance. Do not immerse the appliance in water or other liquids during cleaning. Do not clean the appliance with a pressurized water jet.
- Do not use any sharp or pointed, nor metal implements (knife, fork, etc.). Sharp or pointed implements may damage the appliance, and when in contact with live parts, they may cause electric shock.
- For cleaning, do not use any scouring agents that contain solvents nor corrosive cleaning agents. They may damage the surface.

6.2 Cleaning

ATTENTION!

Always, prior to cleaning, moving or transport of the coffee machine, empty the water tank.



WARNING!

Risk of burns!

Water in the water tank becomes very hot.

Drain the rest of water from the tank only when the appliance and water has cooled down enough. To end with, tighten the drain screw.

1. Drain the water remaining in the water tank with the use of drain screw (b) at the rear side of the appliance (at the bottom).
2. After each use, clean the glass jug and the filter basket with warm water and mild cleaning agent. Rinse the cleaned elements in clean water and dry.
3. Wipe the housing of the appliance with a soft, moist cloth, and dry at the end.

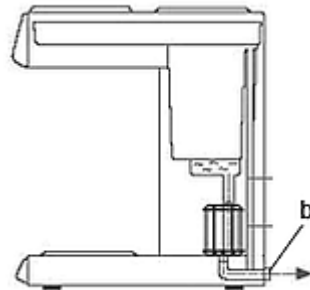


Fig. 5

EN

4. Conduct the brewing process as described in section "**Coffee preparation**"; do not use ground coffee if the appliance has not been used for a prolonged time.

Cleaning the glass jug

Hard water may leave white, mineral deposits inside the glass jug. Coffee usually colour the deposits and leave the brownish deposit. To remove these deposits, follow the below indications:

- prepare a solution of hot water and descaling agent (art. No. 190065);
- leave this solution in the jug for 20 minutes;
- pour the solution out;
- rinse the jug a few times with clean water and dry thoroughly with a lint-free cloth.

6.3 Descaling

NOTE!

To reduce limescale deposits, it is recommended to use filtered water!



CAUTION!

Injury hazard!

Use safety gloves and goggles during descaling!

Depending on the water hardness level in the place of usage, limescale may be deposited inside of the appliance's elements during the operation of the coffee machine. In order to maintain the appliance in the best possible condition, and to be certain that every brewing process yields the best results, the appliance should be descaled regularly.

If used extensively, in order to remove oils, coffee stains and stubborn deposits the appliance must be thoroughly cleaned and descaled every **two weeks**.

1. For thorough cleaning, use commercial agents for cleaning coffee machines available on the market. Follow the manufacturer's instructions.
2. The descaling process, as described below, should be performed also when the preparation of coffee takes longer than usually, the sounds of brewing start to be more distinct or the coffee machine switches itself off, although there is still water in the tank (e.g. in the case of very hard water).
3. For descaling the appliance we recommend the tried and proven agent:
Descaling agent Bartscher B15-30 (art. no. 190065).
4. Perform the following steps:
 - dissolve 1 bag (15 g) of the descaling agent in 500 ml of fresh water;

NOTE: Observe the minimum amount of brewing liquid for the appliance!

- pour the descaling solution into the coffee machine's water tank;
- place the right paper basket filter in the filter basket;
- insert the filter basket into guides (without ground coffee);
- place the enclosed jug under the filter basket;
- switch the appliance on, as with the regular brewing process;
- when a small amount of solution flows to the jug, switch the appliance off with the ON/OFF switch;
- wait approx. 5–6 minutes so that the remaining part of the solution may act on limescale deposits;
- switch the appliance on anew and wait, until the rest of the descaling solution flows;
- as soon as the whole descaling solution has flown through, switch the appliance off;
- remove the descaling solution from the jug;
- after descaling, repeat the brewing process 2 - 3 times with the use of fresh water only;
- to end with, drain the water remaining in the water tank with the use of drain screw at the rear side of the appliance (at the bottom);
- clean the filter basket and the jug thoroughly.

The appliance is now ready to resume brewing coffee.

7 Possible malfunctions

The table below contains descriptions of possible causes and solutions to malfunctions or errors during operation of the appliance. When malfunction cannot be removed, contact the technical service.


Problem	Cause	Solution
The appliance is switched off, but the red operation indicator light in the ON/OFF switch does not come on.	Incorrectly connected plug.	Connect the plug.
	The premises connection fuse tripped.	Disconnect the appliance from mains supply, reset the fuse and re-connect the appliance.
	Damaged operation indicator light.	Contact the supplier.
	Damaged switch.	Contact the supplier.
When switched on, the fuse is tripped immediately.	Short circuit.	Contact the supplier.
The appliance is switched on, the red operation indicator light does not come on and hot water does not flow.	The appliance is scaled.	Descale the appliance following the instructions in section " Descaling ". Press the RESET button at the rear side of the appliance. Start the appliance.
	Too little of brewed liquid.	Observe the minimum amount of brewed liquid.
	Damaged level switch.	Contact the supplier.

Possible malfunctions

Problem	Cause	Solution
The appliance switches off.	The overheating protection was triggered: too little water or no water in the water tank.	Pull the plug out. Wait for the appliance to cool down. Press the RESET button at the rear side of the appliance.
	Thermostat broken.	Contact the supplier.
The appliance is switched on, the red heating-up indicator light does not come on but hot water does not flow out.	Heating element of the brewing function damaged.	Contact the supplier.
	Damaged thermostat.	Contact the supplier.

8 Disposal

Electrical appliance

	<p>Electric appliances are marked with this symbol. Electrical appliances must be disposed of and recycled in a correct and environmentally friendly manner. You must not dispose of electric appliances with household waste. Disconnect the appliance from the power supply and remove power cord from the appliance.</p>
---	---

Electrical appliances should be returned to designated collection points.