

*LIBRETTO ISTRUZIONI  
PER L'USO E LA MANUTENZIONE  
DEL BAGNOMARIA  
ELETTRICO*

*\* OPERATION AND MAINTENANCE MANUAL  
FOR ELECTRIC BAIN-MARIE*

*LIVRET D'INSTRUCTIONS  
POUR L'UTILISATION ET L'ENTRETIEN  
DE L'ENSEMBLE POUR BAIN MARIE  
ELECTRIQUE*

*GEBRAUCHS- UND WARTUNGSANLEITUNG  
FÜR ELEKTRO-BAIN-MARIE*

*MANUAL DE INSTRUCCIONES  
PARA EL USO Y EL MANTENIMIENTO  
DEL EQUIPO ELÉCTRICAS  
PARA BAÑO MARIA*

**131.760**



COD.: ZSL6527

REV. 01 / 2001

## CONTENTS

<b>1. INSTALLATION</b> .....	<b>Pag. 6</b>
1.1 IMPORTANT NOTICES .....	Pag. 6
1.2 POSITIONING .....	Pag. 6
1.3 CONNECTING TO THE POWER SUPPLY .....	Pag. 7
<b>2. OPERATING INSTRUCTIONS</b> .....	<b>Pag. 7</b>
2.1 STARTING UP FOR THE FIRST TIME .....	Pag. 7
2.2 SETTING .....	Pag. 7
2.3 DRAINING OFF THE WATER .....	Pag. 8
<b>3. CLEANING AND MAINTENANCE</b> .....	<b>Pag. 9</b>
3.1 ROUTINE MAINTENANCE .....	Pag. 9
3.2 SPECIAL MAINTENANCE .....	Pag. 9

# 1.

## INSTALLATION

### 1.1 IMPORTANT NOTICES

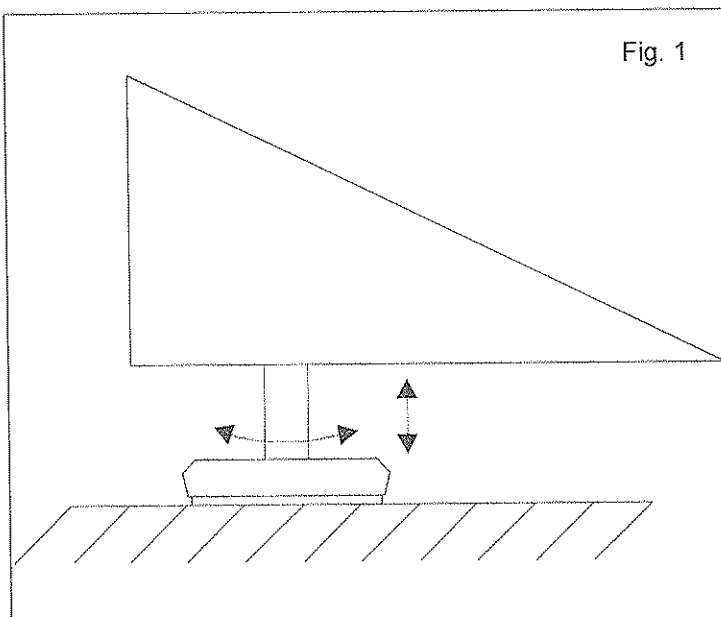
Please read this booklet carefully because it contains important information concerning installation, operating and maintenance safety for this appliance. Keep the booklet in a safe place so that it can be consulted by other operators.

- Installation must be effected by professionally qualified personnel following the manufacturer's instructions.
- The appliance can be operated only by personnel trained on how to use it.
- Turn the appliance off in case of failure or faulty operation. If repairs are necessary, contact an After-Sales Service Centre authorised by the manufacturer and ask for original spare parts only.
- The safety of the appliance may be jeopardised if the above directions are not followed.

The appliance complies with the following standards:

- electromagnetic compatibility E.M.C. directive CEE89/336 regarding the limitation of disturbances,
- accident-prevention and fire-prevention prescriptions in force,
- standards for the installation of electric systems,
- hygiene standards.

### 1.2 POSITIONING



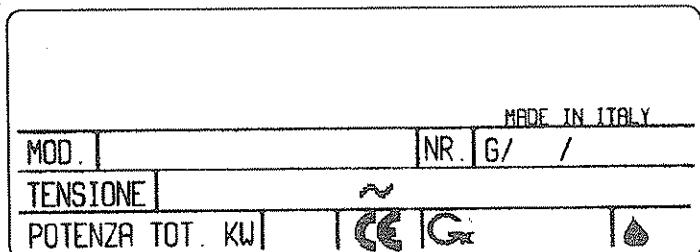
Remove the appliance from the packing, check it for damage and place it in the installation position. Level it and adjust its height by using the levelling feet indicated in (Fig. 1).

If the appliance is placed against a wall, this must be able to withstand temperatures of 80°C and if it is not inflammable, heat insulation must be installed. Remove the protective film from the external panels slowly to prevent glue remnants remaining on them.

**Do not obstruct the aspiration or heat discharge openings and gaps and place the appliance underneath an extraction hood that complies with current standards.**

### 1.3 CONNECTING TO THE POWER SUPPLY

Fig. 2



- Before connecting the appliance to the mains, make sure that the voltage and frequency indicated on the data plate correspond to those of the actual supply system.
- The appliance is set up to function as indicated in the data plate located at the rear or on the hand side that the appliance.
- To connect the appliance, simply connect a standardised plug suitable for the

absorbed load to the supply cable and plug it into a suitable socket that must be fitted with an efficient earthing system in compliance with the standards in force .

- To connect the appliance directly to the mains, it will be necessary to install an omnipolar cut out suitable for the load with a minimum distance between contacts of 3mm.
- The feed voltage, when the machine is operating, must not differ from the rated voltage by more than  $\pm 10\%$ .
- The appliance must be included in an unipotential system whose efficiency is checked in compliance with the standards in force.

Before delivering the appliance to the user:

- check that it operates correctly,
- instruct the user on how to use it.

## 2.

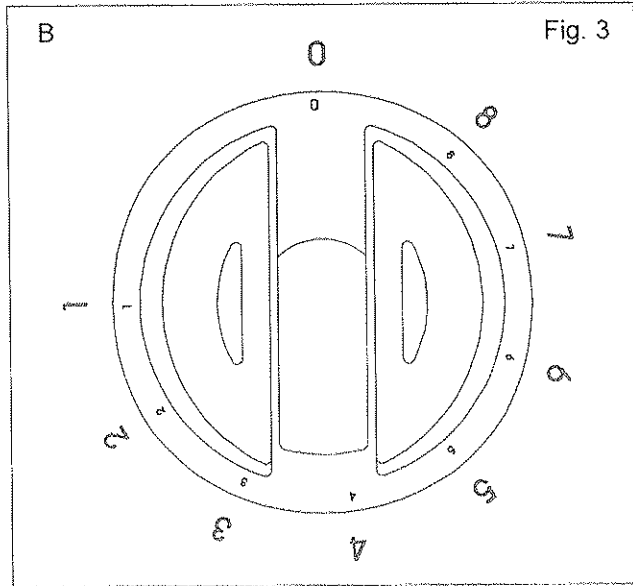
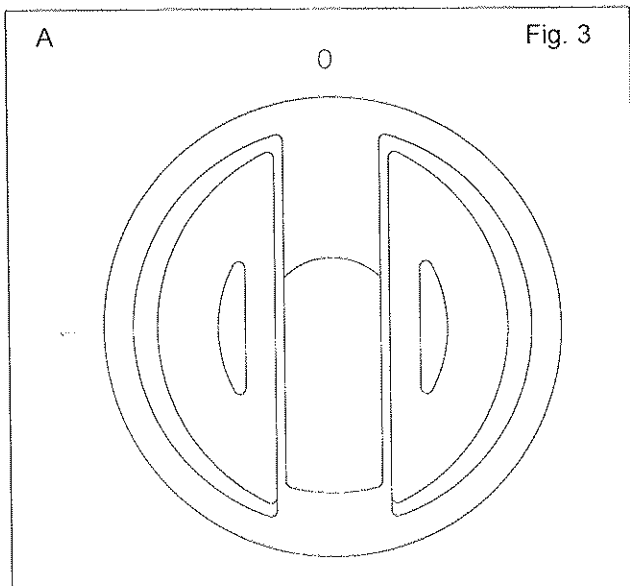
## OPERATING INSTRUCTIONS

The appliance must be used only for the purpose for which it was designed. Any other use is improper. During operation, supervise the appliance.

### 2.1 STARTING UP FOR THE FIRST TIME

WARNING: before starting up the appliance, fill the tank up to the level notch. Failure to comply with these instructions may seriously damage the appliance.

### 2.2 SETTING



### START-UP

- use the main switch to switch on the appliance.
- Turn knob A to position "1".
- Turn knob B to set temperature.

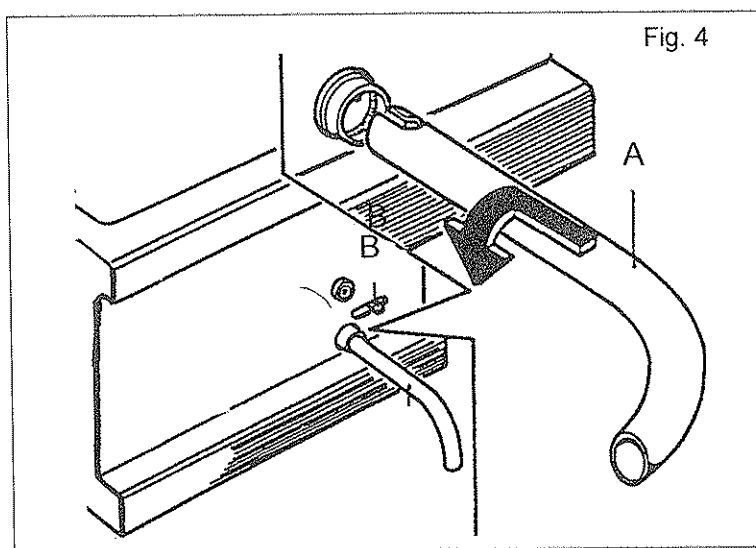
When the green light comes on, the appliance is ready for use. The orange light remain lighted whilst the heating elements are heating up the water. As soon as the water reaches the set temperature the heating elements switch off and the orange light goes out.

When the temperature falls below the set level the heating elements come on again automatically.

### SWITCH-OFF

- Turn knob B to position "0".
- Turn knob A to position "0".
- If the appliance is not used, switch off the circuit breaker.

## 2.3 DRAINING THE WATER



- Switch off the appliance.
- Make sure that the water in the frying compartment is cold.
- Use a bayonet fitting to fit the extension (ref. A) onto the discharge tap.
- Place a preferably metal container underneath the bend. Make sure that the container is stable.
- Lift up the safety lever and open the tap by turning the knob to the left (Ref. B).

## **3.**

# **CLEANING AND MAINTENANCE**

### **3.1 ROUTINE MAINTENANCE**

At the end of the working day, clean the appliance, both for reasons of hygiene and to prevent operating faults. Do not clean the appliance with direct or high-pressure jets of water and do not use metal pads, brushes or scrapers in normal steel. If necessary, use stainless steel pads, but do not rub them against the grain of the metal of the appliance.

Use warm soapy water on steel surfaces and then rinse in plenty of water and dry with a soft cloth. Maintain the shine by regular polishing with a normal liquid polish.

Do not wash the work top or floor with hydrochloric acid.

### **3.2 SPECIAL MAINTENANCE**

At regular intervals (at least once a year or more often in cases of frequent use), service the appliance thoroughly. Contact a specialised and experienced technician. A maintenance contract should be taken out with a centre approved by the company.

THE MANUFACTURER ACCEPTS NO RESPONSIBILITY FOR HARM CAUSED BY INCORRECT INTERVENTIONS, TAMPERING WITH THE APPLIANCE, MISUSE, POOR MAINTENANCE, NON-COMPLIANCE WITH CURRENT REGULATIONS AND INEXPERT USE.

THE MANUFACTURER RESERVES THE RIGHT TO WITHOUT NOTICE MODIFY THE FEATURES OF THE APPLIANCES DESCRIBED IN THIS MANUAL.