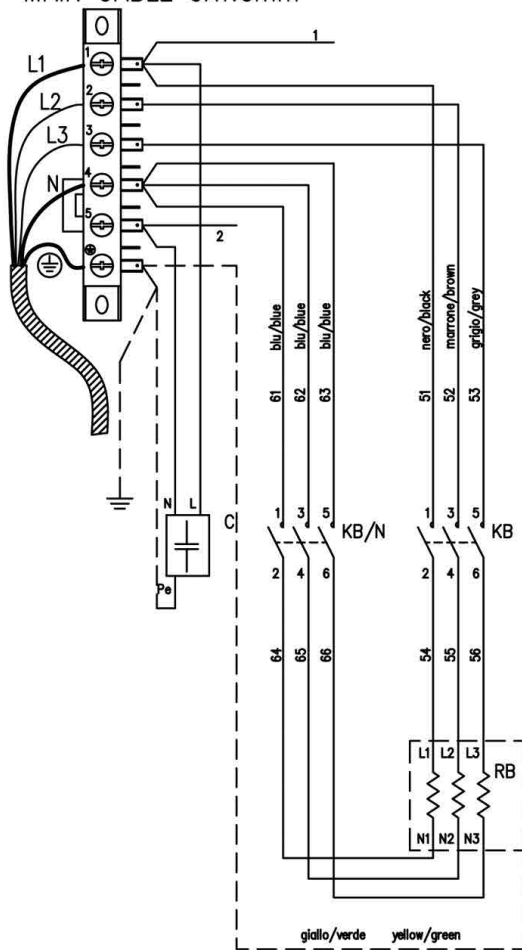
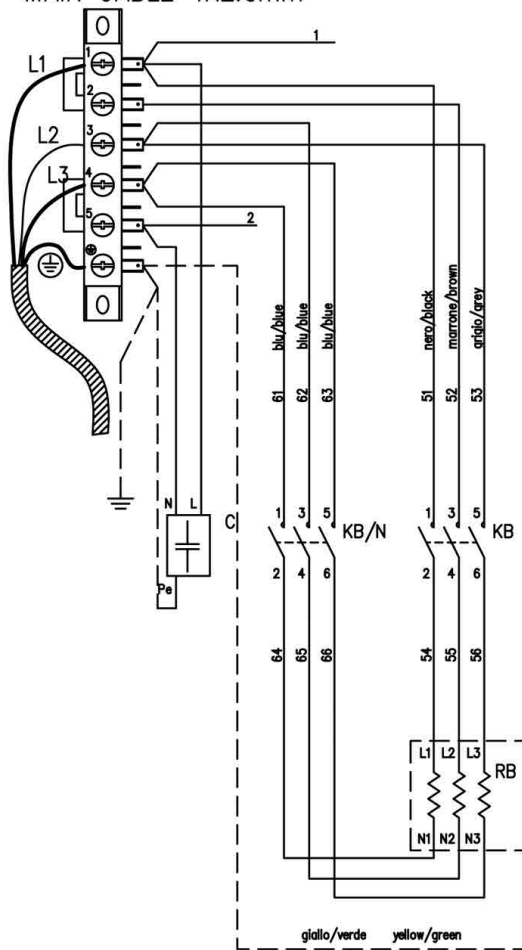


RB=6000/4500W
MAIN CABLE 5X1.5mm²



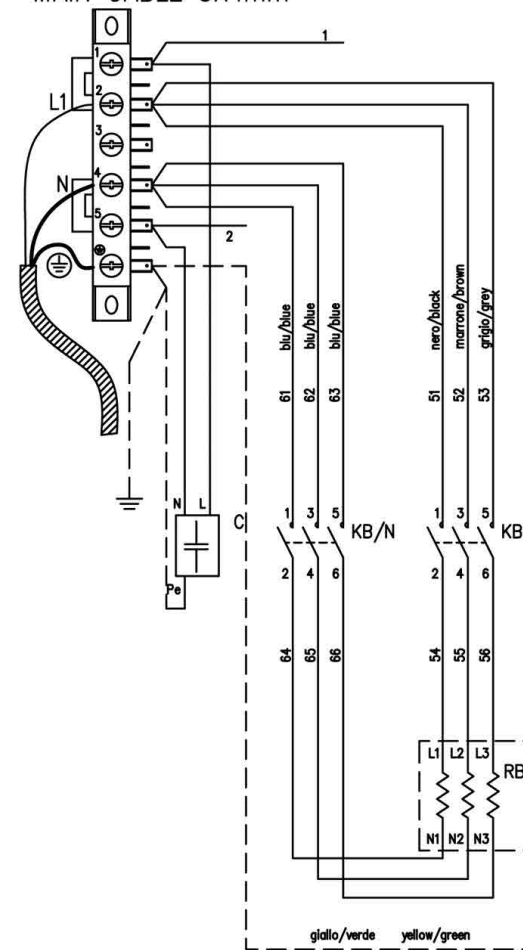
400-415 3P+N 50/60Hz

RB=6000/4500W
MAIN CABLE 4X2.5mm²



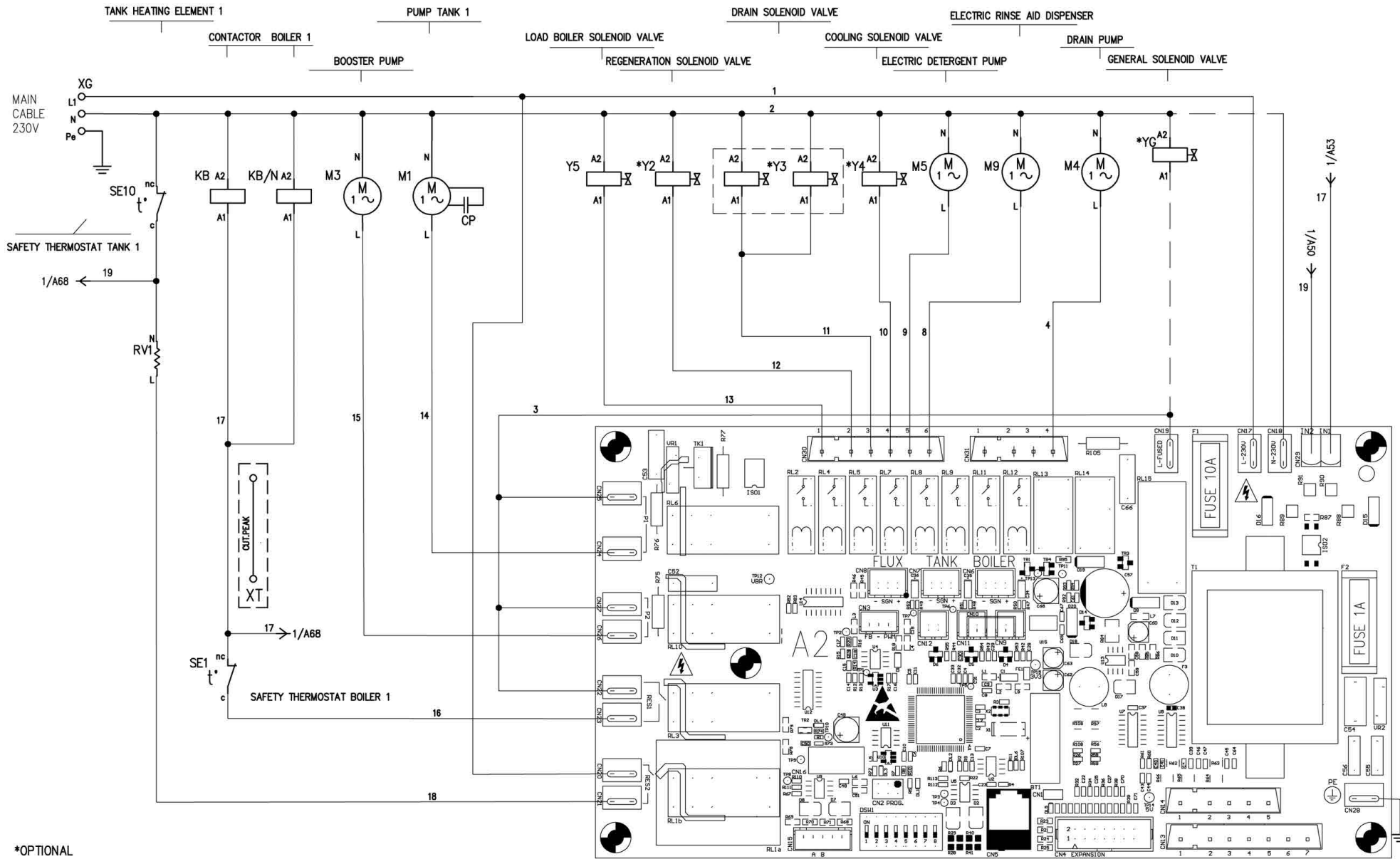
230-240 3P 50/60Hz

RB=6000/4500W
MAIN CABLE 3X4mm²



230-240 L1+N 50/60Hz

* Element Disconnected



*OPTIONAL