

BW10 - BW20



A203112 - A203113

Bartscher GmbH
Franz-Kleine-Str. 28
D-33154 Salzkotten
Germany

Phone: +49 5258 971-0

Fax: +49 5258 971-120

Technical Support Hotline: +49 5258 971-197

www.bartscher.com



Version: 1.0

Date of preparation: 2024-06-18

Original instruction manual

1	Safety	2
1.1	Explanation of Signal Words	2
1.2	Safety instructions.....	3
1.3	Intended Use	6
1.4	Unintended Use	6
2	General information	7
2.1	Liability and Warranty	7
2.2	Copyright Protection	7
2.3	Declaration of Conformity	7
3	Transport, Packaging and Storage	8
3.1	Delivery Check.....	8
3.2	Packaging	8
3.3	Storage	8
4	Technical Data.....	9
4.1	Technical Specifications	9
4.2	Functions of the Appliance.....	10
4.3	List of Components of the Appliance	11
5	Installation and operation	13
5.1	Installation.....	13
5.2	Operation	14
6	Cleaning	17
6.1	Safety Instructions for Cleaning	17
6.2	Cleaning.....	18
7	Disposal.....	18



Read this instruction manual before using and keep it available at all times!

This instruction manual contains information about installation, operation and maintenance of the appliance and constitutes an important source of information and reference guide. The knowledge of all operational and safety instructions included in this manual is a prerequisite for safe and proper handling of the appliance. Additionally, accident prevention, occupational health and safety, and legal regulations in force in the area the appliance is used apply.

Before you start using the appliance, especially before turning it on, read this instruction manual in order to avoid personal injuries and property damages. Improper use may cause damage.

This instruction manual forms an integral part of the product and must be stored in an immediate vicinity of the appliance and be available at all times. The instruction manual should be transferred together with the appliance.

1 Safety

This appliance has been manufactured in accordance with technical standards currently in force. However, the appliance may be a source of hazards if used improperly or contrary to its intended purpose. All persons using the appliance must consider information included in this instruction manual and observe safety instructions.

1.1 Explanation of Signal Words

Important safety instructions and warning information are indicated in this instruction manual with appropriate signal words. You must strictly follow the instructions, to prevent accidents, personal injuries and property damages.



DANGER!

The signal word **DANGER** warns against hazards that lead to severe injuries or death if the hazards are not avoided.



WARNING!

The signal word **WARNING** warns against hazards that may lead to moderate or severe injuries or death if the hazards are not avoided.



CAUTION!

The signal word **CAUTION** warns against hazards that may lead to light or moderate injuries if the hazards are not avoided.

IMPORTANT!

The signal word **IMPORTANT** indicates possible property damages, which may occur if safety instructions are not observed.

NOTE!

The symbol **NOTE** indicates subsequent information and guidelines for the user on usage of the appliance.

1.2 Safety instructions

Electrical Current

- Too high a mains voltage or incorrect installation may cause electric shock.
- The appliance may be connected only if data on the rating plate correspond with the mains voltage.
- To avoid short-circuit, the appliance should be kept dry.
- If there are malfunctions during operation, disconnect the appliance from the power supply.
- Do not touch the appliance's plug with wet hands.
- Never take hold of the appliance if it has fallen into water. Immediately disconnect the appliance from the power supply.
- Any repairs or housing opening may be carried out by professionals and relevant workshops only.
- Do not transport the appliance, holding it by the power cord.
- Do not allow the power cord to come into contact with heat sources or sharp edges.
- Do not bend, pinch nor knot the power cord.

- Always completely unwind the power cord.
- Never place the appliance or other objects on the power cord.
- Always take hold of the plug to disconnect the appliance from the power supply.
- Check the power cord regularly for damage. Do not use the appliance if the power cord is damaged. If this cable is damaged, it must be replaced by customer service or a qualified electrician in order to avoid dangers.

Flammable Materials

- Never subject the appliance to contact with high temperature sources, e.g.: oven, furnace, open flame, heat generating devices, etc.
- To avoid fire hazard, clean the appliance regularly.
- Do not cover the appliance with, e.g., aluminium foil or cloths.
- Use the appliance only with materials designated to this end and with correct temperature settings. Materials, groceries and left-overs remaining in the appliance may catch fire.
- Never use the appliance near flammable or inflammable materials, e.g.: petrol, spirit, alcohol, etc. High temperature triggers evaporation of these materials, and, as a result of contact with sources of ignition, an explosion may occur.
- In case of fire, disconnect the appliance from the power supply before attempting suitable fire-extinguishing actions.
- Never attempt to extinguish fire with water if the appliance is connected to the power supply. Following extinction of fire, ensure sufficient fresh air inflow.

Hot Surfaces

- Surfaces of the appliance become hot during operation. Burning hazard! High temperature remains for some time after switching the appliance off.
- Do not touch any hot surfaces of the appliance. Use the provided handling elements and holders.
- You may transport and clean the appliance after it cools down entirely.
- It is prohibited to sprinkle hot surfaces with cold water or flammable liquids.

Safety

Operating Personnel

- The appliance may only be operated by qualified personnel and trained specialist personnel.
- This appliance may not be operated by persons (including children) with limited physical, sensory or mental capabilities, nor by persons with limited experience and/or limited knowledge.
- Children should be supervised to ensure that they are not playing with or switching on the appliance.

Supervised Usage only

- Only supervised appliance may be used.
- Always remain in an immediate vicinity of the appliance.

Improper Use

- Unintended or prohibited use may cause damage to the appliance.
- The appliance may only be used when its technical condition is flawless and allows for safe operation.
- The appliance may only be used when all connections are executed according to rules of law in force.
- The appliance may only be used when it is clean.
- Use only original spare parts. Never attempt to repair the appliance on your own.
- Do not introduce any changes in the appliance nor modify it.

1.3 Intended Use

As described below, every use of the appliance for a purpose differing and/or diverging from its intended standard use, is prohibited and considered to be an unintended use.

The following is an intended use:

- Keeping the baked goods warm.

1.4 Unintended Use

An unintended use may lead to personal injuries or property damages caused by hazardous voltage, fire or high temperature. The appliance may only be used to perform tasks described in this instruction manual.

The following is an unintended use:

- Heating-up flammable, hazardous to health and volatile, etc. liquids and materials.

2 General information

2.1 Liability and Warranty

All information and instructions in this instruction manual account for legal regulations in force, current level of technical engineering knowledge as well as our expertise and experience, developed over the years. If special models or additional options are ordered, or state-of-the-art technical solutions were implemented, the actual scope of delivery of the appliance may, in some circumstances, differ from descriptions and numerous drawings in this instruction manual.

The manufacturer is not liable for any damages nor faults stemming from:

- failure to observe instructions,
- unintended use,
- technical alterations introduced by the user,
- usage of unapproved spare parts.

We reserve the right to introduce technical modifications to the product, intended for improvement of the appliance and its performance.

2.2 Copyright Protection

This instruction manual, and texts, drawings and images included in it, as well as its other components are copyright protected. It is prohibited to reproduce this instruction manual (including its excerpts), in any form and by any means, and to use and/or transfer its content to third parties without manufacturer's written permission. Violation of the above results in obligation to pay compensation. We reserve the right to claim further damages.

2.3 Declaration of Conformity

The appliance meets the currently applicable standards and guidelines of the European Union. We confirm the above in the EC Declaration of Conformity. We may provide relevant Declaration of Conformity upon request.

3 Transport, Packaging and Storage

3.1 Delivery Check

Immediately upon reception, check the delivery for completeness and possible shipping damage. In the case of visible transport damage refuse to accept the appliance or accept it conditionally. Mark and note the scope of damage in shipping documents/consignment list of the shipping company and lodge a complaint. Concealed damage must be reported immediately upon its discovery, as compensation claims may only be filed within applicable time limits.

If you find that parts or accessories missing, please contact our Customer Service Department.

3.2 Packaging

Do not dispose of the appliance cardboard box. It may be used to store the appliance when relocating or when shipping the appliance to our service point in the case of any damages.

The packaging and its elements are made of recyclable materials. Particularly, these are: plastic films and bags, cardboard box.

When disposing of the packaging, observe applicable domestic regulations. Recyclable packaging materials should be recycled.

3.3 Storage

Leave the packaging closed until installation of the appliance; observe external indications concerning method of placing and storage. Store the packaging in the following conditions only:

- in closed rooms;
- in dry and dust-free surrounding;
- away from aggressive agents;
- in a location protected against sunlight;
- in a location protected against mechanical shocks.

In the case of extended storage (over three months), make sure you check the condition of the packaging and the parts regularly. If needed, replace the packaging with a new one.

4 Technical Data

4.1 Technical Specifications

Version / characteristics

- Type of glazing: all-round glass
- Type of shelf (A203113): perforated sheet
- Shelf without height adjustment
- Temperature control: stepless
- Door type: hinged door
- Door position: both sides
- Water tray for air humidification
- Control: rotary control knob
- ON/OFF switch
- Indicator lights: heating-up, ON/OFF
- Characteristics: heating of the lower level

Name:	Heated display unit BW10
Art. No.:	A203112
Material:	CNS 18/10 perspex
Display area material:	475 x 335
Display area dimensions (W x D), in mm:	CNS 18/10
Number of levels:	1
Internal height, in mm:	155
Temperature range, min.-max., in °C:	30 - 85
Number of doors:	2
Power load:	0,25 kW 220-240 V 50/60 Hz
Dimensions (W x D x H), in mm:	500 x 385 x 280
Weight, in kg:	10,4

Name:	Heated display unit BW20
Art. No.:	A203113
Material:	CNS 18/10 perspex
Display area material:	475 x 335
Display area dimensions (W x D), in mm:	CNS 18/10
Number of levels:	2
Shelves dimensions (W x D), in mm:	475 x 335
Internal height, bottom in mm:	150
Internal height, top in mm:	150
Temperature range, min.-max., in °C:	30 - 85
Number of doors:	4
Power load:	0,25 kW 220-240 V 50/60 Hz
Dimensions (W x D x H), in mm:	500 x 385 x 415
Weight, in kg:	13,2

We reserve the right to implement technical modifications.

4.2 Functions of the Appliance

Warmth keeping display unit was designed to keep the baked goods at pre-set temperature and moistened thanks to the water tray for air humidification.

The warm, moist air keeps pastries and baked goods warm and succulent even after several hours – as if they had come straight from the oven. Two hinged doors both front and rear make it easy to remove and insert from both sides.

4.3 List of Components of the Appliance



Fig. 1

- | | |
|--|--|
| 1. Hinged door with a handle from the service side | 2. Power cord |
| 3. ON/OFF switch with integrated power indicator light (red) | 4. Temperature controller |
| 5. Heating-up indicator light (green) | 6. Water tray for air humidification |
| 7. Feet (4x) | 8. Housing |
| 9. Bottom display area | 10. Hinged door with a handle from the customer side |

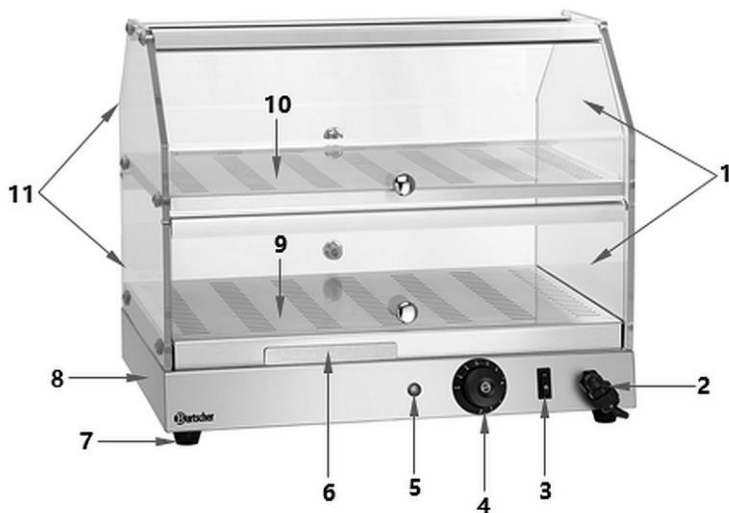


Fig. 2

- 1. Hinged door with a handle from the service side (2x)
- 2. Power cord
- 3. ON/OFF switch with integrated power indicator light (red)
- 4. Temperature controller
- 5. Heating-up indicator light (green)
- 6. Water tray for air humidification
- 7. Feet (4x)
- 8. Housing
- 9. Bottom display area
- 10. Shelf
- 11. Hinged door with a handle from the customer side

5 Installation and operation

5.1 Installation

Unpacking / Positioning

- Unpack the appliance, remove all external and internal packaging elements and shipment safeguards.



CAUTION!

Choking hazard!

Prevent children from accessing package materials, for instance: plastic bags and EPS.

- If the appliance is covered with a protective film, remove it. Remove the film slowly, so no glue residues are left. Remove any glue residues with the use of a suitable solvent.
- Be careful not to damage the rating plate and warning labels fixed on the appliance.
- **Never** place the appliance in humid or wet environment.
- Place the appliance in a way making the connections easily accessible, so that they may be quickly disconnected if such a need arises.
- The appliance should be placed on surfaces that are:
 - even, with sufficient bearing capacity, resistant to water, dry and resistant to high temperatures;
 - sufficiently large, and thus enabling usage of the appliance with no problems;
 - easily accessible;
 - well ventilated.
- Leave at least 20 cm clearance from flammable walls and items.

Power supply connection

- Verify if technical data of the appliance (see rating plate) correspond with the local electric power grid specification.
- Connect the appliance to a single, properly grounded mains socket with protective contact. Do not connect the appliance to a multi-socket.
- The power cord should be laid in a way preventing anyone from threading on it or tripping against it.

5.2 Operation



WARNING!

Risk of burning!

During operation, the housing, glass panes and shelves become very hot and remain hot for a while after switching the appliance off.

Do not touch hot components of the appliance during operation nor immediately after switching it off.

Use the handles to open and close the hinged door.

Use appropriate utensils (e.g. tongs, forks etc.) to take out the pastries or baked goods.

Before use

1. Before use, clean the appliance, observing instructions in section 6 'Cleaning'.
2. Dry the appliance thoroughly.



Fig. 3

3. Always place the water tray in the appliance prior to operation.

The opening for the water tray is located on the service side, under the hinged door. This water tray is used for producing appropriate humidity inside the display unit, to prevent the pastries and baked goods from drying out.

4. Fill the water tray with water.

NOTE!

Do not overfill with water.

Check the water level in the water tray, add water if necessary.

EN

Appliance start-up

1. Plug the device into a suitable single socket.
2. Turn the appliance on with the ON/OFF switch by setting it to '1' position.

The red power indicator light in the ON/OFF switch lights up.

3. Set the required temperature, depending on the stored food.

Set the required temperature with the use of temperature controller within the range of 30–85°C.

The heating-up indicator light is on and will remain lit until the set temperature has been reached. As soon as the temperature is reached, the indicator light goes off.

When the temperature in the warmth keeping display unit drops, the indicator light comes on again and the appliance heats up again to the set temperature.

Keeping the baked goods warm.



Fig. 4

EN

4. Open the the hinged door on the service side.
5. Place the required products in the display area or on the display unit shelf.
6. Close the hinged door.

The baked goods will be kept warm, at the set temperature, and for the required period.

For loading or unloading baked goods, both the front and rear hinged doors of the heated display unit can be opened using the handles.

7. Serve the baked goods as required.
8. Close the hinged door to limit the loss of warm air in the heated display unit.

HINT!

If the display unit is to be used to heat other food products at higher temperatures (e.g. vegetables), take out the water tray and the bottom display area.

Place the food in appropriate GN containers directly at the bottom of the heated display unit.

Switching the appliance off

1. Remove all dishes if the appliance is no longer to be used.
2. Rotate the temperature controller to '**0**' position (OFF).
3. Switch the appliance off with the ON/OFF switch (by switching it to '**0**' position).
4. Disconnect the appliance from power supply (pull the plug out).

6 Cleaning

6.1 Safety Instructions for Cleaning

- Before cleaning, disconnect the appliance from the power supply.
- Leave the appliance to cool down completely.
- Make sure water does not enter the appliance. Do not immerse the appliance in water or other liquids during cleaning. Do not clean the appliance with a pressurized water jet.
- Do not use any sharp or pointed, nor metal implements (knife, fork, etc.). Sharp or pointed implements may damage the appliance, and when in contact with live parts, they may cause electric shock.
- For cleaning, do not use any scouring agents that contain solvents nor corrosive cleaning agents. They may damage the surface.

6.2 Cleaning

1. Clean the appliance regularly at the end of a working day, and, if necessary, also in the meantime or when the appliance is not to be used for a longer time.
2. Remove food from the appliance.
3. Clean the lower display area and the shelf thoroughly with a soft, damp cloth. Use a mild cleaning agent when required.

HINT!

The lower display area and the shelf can be taken out for cleaning.

4. Wipe with a clean cloth to remove the cleaning agent residues.
5. Remove the water tray from the appliance. Clean it with warm water, mild cleaning agent and a soft cloth or sponge.
6. Use a soft, damp cloth to wipe the inside and the outside of the housing of the appliance, side glass panes, as well as the hinged doors. Rinse in fresh water.
7. Dry all cleaned surfaces thoroughly afterwards.
8. The display unit should be cleaned regularly from inside with a food grade cleaning disinfectant. Follow the instructions of the cleaning agent manufacturer.

EN

7 Disposal

Electrical Appliance



Electric appliances are marked with this symbol. Electrical appliances must be disposed of and recycled in a correct and environmentally friendly manner. You must not dispose of electric appliances with household waste. Disconnect the appliance from the power supply and remove power cord from the appliance.

Electrical appliances should be returned to designated collection points.