

*LIBRETTO ISTRUZIONI
PER L'USO E LA MANUTENZIONE
DEI PIANI DI COTTURA IN
VETROCERAMICA*

** GLASS-CERAMIC HOB USE AND
MAINTENANCE MANUAL*

*LIVRET D'INSTRUCTIONS POUR
L'UTILISATION ET L'ENTRETIEN DES PLANS
DE CUISSON EN VITROCÉRAMIQUE*

*GEBRAUCHSANWEISUNGEN UND WARTUNG
DES KOCHFELDES AUS GLASKERAMIK*

*FOLLETO DE INSTRUCCIONES PARA EL USO
Y EL MANTENIMIENTO DE LAS PLACAS DE
COCCIÓN EN VITROCERÁMICA*

132870



COD.: ZSL6517

REV. 00 / 2004

CONTENTS

1. INSTALLATION	Pag. 5
1.1 IMPORTANT NOTICES	Pag 5
1.2 POSITIONING	Pag 5
1.3 CONNECTING TO THE POWER SUPPLY	Pag. 6
2. OPERATING INSTRUCTIONS	Pag. 6
2.1 STARTING UP FOR THE FIRST TIME	Pag 6
2.2 SETTING	Pag 6
3. CLEANING AND MAINTENANCE	Pag. 7
3.1 ROUTINE MAINTENANCE	Pag 7
3.2 SPECIAL MAINTENANCE	Pag 7

1. INSTALLATION

1.1 IMPORTANT NOTICES

Please read this booklet carefully because it contains important information concerning installation, operating and maintenance safety for this appliance. Keep the booklet in a safe place so that it can be consulted by other operators.

Installation must be effected by professionally qualified personnel following the manufacturer's instructions.

The appliance can be operated only by personnel trained on how to use it.

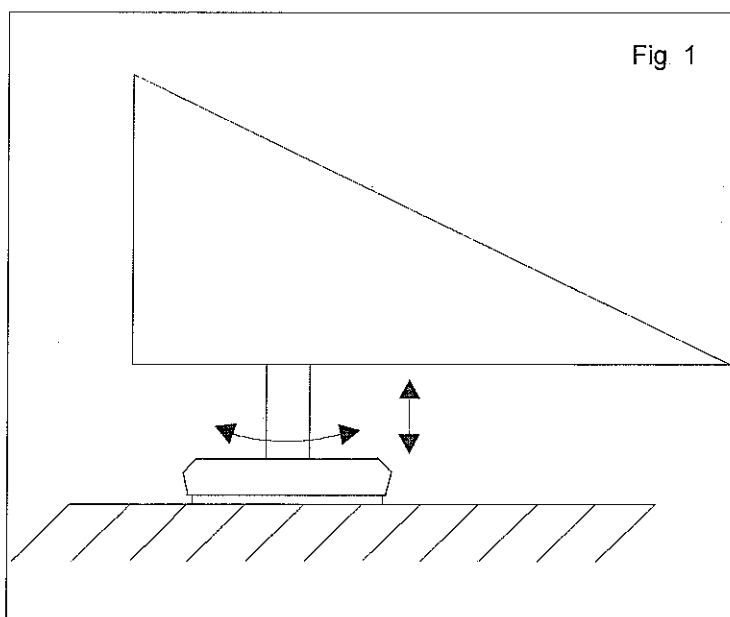
Turn the appliance off in case of failure or faulty operation. If repairs are necessary, contact an After-Sales Service Centre authorised by the manufacturer and ask for original spare parts only.

The safety of the appliance may be jeopardised if the above directions are not followed.

The appliance complies with the following standards:

- electromagnetic compatibility E.M.C. directive CEE89/336 regarding the limitation of disturbances,
- accident-prevention and fire-prevention prescriptions in force,
- standards for the installation of electric systems,
- hygiene standards

1.2 POSITIONING



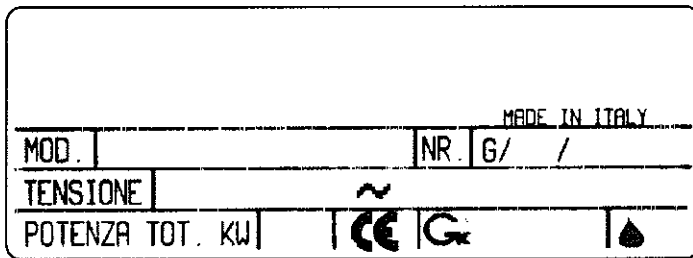
Remove the appliance from the packing, check it for damage and place it in the installation position. Level it and adjust its height by using the levelling feet indicated in (Fig 1).

If the appliance is placed against a wall, this must be able to withstand temperatures of 80°C and if it is not inflammable, heat insulation must be installed. Remove the protective film from the external panels slowly to prevent glue remnants remaining on them.

Do not obstruct the aspiration or heat discharge openings and gaps and place the appliance underneath an extraction hood that complies with current standards.

1.3 CONNECTING TO THE POWER SUPPLY

Fig 2



- Before connecting the appliance to the mains, make sure that the voltage and frequency indicated on the data plate correspond to those of the actual supply system
- The appliance is set up to function as indicated in the data plate located at the rear or on the hand side that the appliance.
- To connect the appliance, simply connect a standardised plug suitable for the

absorbed load to the supply cable and plug it into a suitable socket that must be fitted with an efficient earthing system in compliance with the standards in force

- To connect the appliance directly to the mains, it will be necessary to install an omnipolar cut out suitable for the load with a minimum distance between contacts of 3mm
- The feed voltage, when the machine is operating, must not differ from the rated voltage by more than $\pm 10\%$.
- The appliance must be included in an unipotential system whose efficiency is checked in compliance with the standards in force.

Before delivering the appliance to the user:

- check that it operates correctly,
- instruct the user on how to use it.

2. OPERATING INSTRUCTIONS

2.1 STARTING UP FOR THE FIRST TIME

The appliance must only be used for the purpose for which it was expressly designed. All other usage is incorrect. Do not leave the appliance unattended when in use. Switch the mains switch on.

2.2 SET-UP

INDIVIDUAL HOB

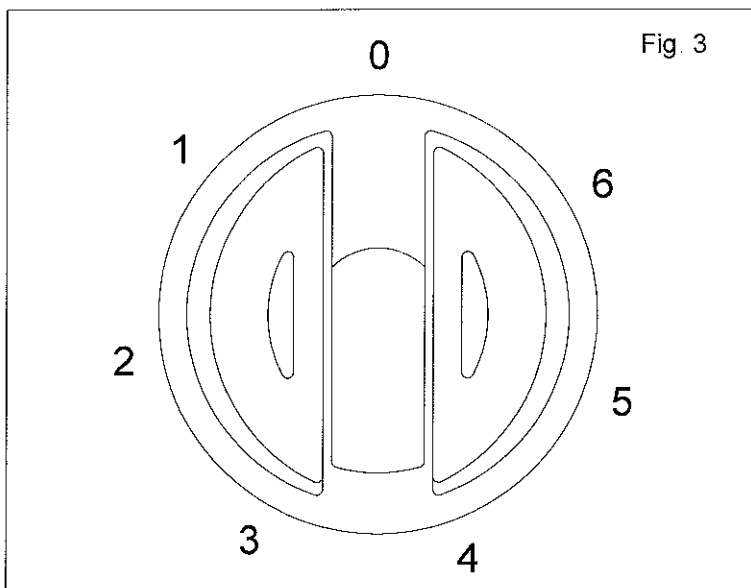
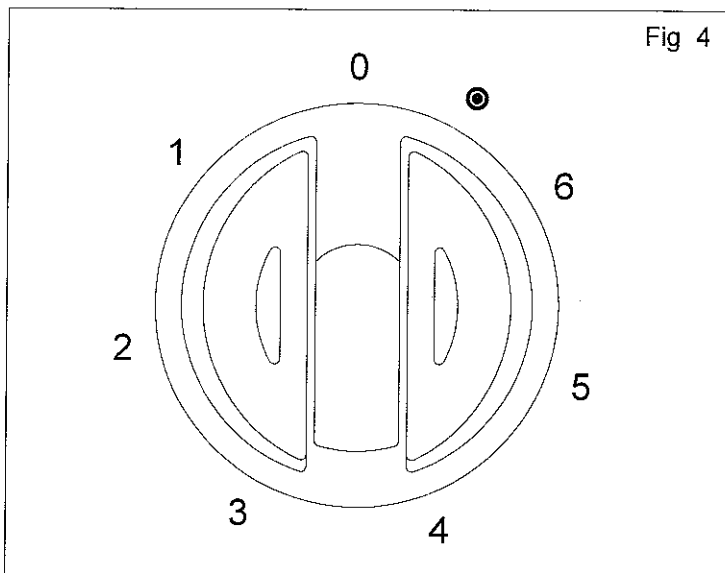


Fig. 3

- Turn the knob to the desired temperature. The orange light stays on while the hotplate is in use.

DOUBLE CROWN HOTPLATE



- Turn the knob to the desired temperature in order to use the first crown only
 - In order to activate the second crown too, turn the knob right round until it clicks in correspondence to the ● mark
- Then regulate the temperature by turning the knob to the desired value.
- In order to go back to using the single crown, just turn the knob to 0 and then select the desired temperature again.

The orange light stays on while the hotplate is in use

WARNING: the red lights on the hob indicate that the corresponding hotplates are still hot, even if the appliance has been switched off and the characteristic red colour by the heating elements is no longer visible.

SWITCHING OFF

- Turn the knobs to 0
- The orange lights will switch off
- Disconnect from the mains if the appliance is not being used

3. CLEANING AND MAINTENANCE

3.1 ROUTINE MAINTENANCE

At the end of the working day, clean the appliance, both for reasons of hygiene and to prevent operating faults. Do not clean the appliance with direct or high-pressure jets of water and do not use metal pads, brushes or scrapers in normal steel. If necessary, use stainless steel pads, but do not rub them against the grain of the metal of the appliance.

Use warm soapy water on steel surfaces and then rinse in plenty of water and dry with a soft cloth. Maintain the shine by regular polishing with a normal liquid polish.

Do not wash the work top or floor with hydrochloric acid.

3.2 SPECIAL MAINTENANCE

At regular intervals (at least once a year or more often in cases of frequent use), service the appliance thoroughly. Contact a specialised and experienced technician. A maintenance contract should be taken out with a centre approved by the company.

THE MANUFACTURER ACCEPTS NO RESPONSIBILITY FOR HARM CAUSED BY INCORRECT INTERVENTIONS, TAMPERING WITH THE APPLIANCE, MISUSE, POOR MAINTENANCE, NON-COMPLIANCE WITH CURRENT REGULATIONS AND INEXPERT USE.

THE MANUFACTURER RESERVES THE RIGHT TO WITHOUT NOTICE MODIFY THE FEATURES OF THE APPLIANCES DESCRIBED IN THIS MANUAL.