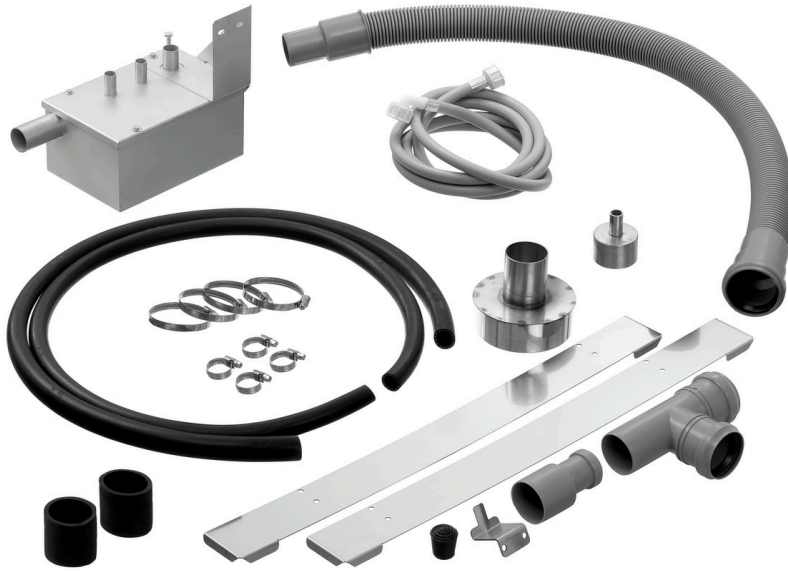


Installation kit LBO100



Description

The installation kit prepares for the start-up of the CL6040-1 and CL6080-1 deck ovens.

Features

- Important information: -
- Material: Stainless steel
Rubber
Plastic
- Set comprises: Condensate collection box
Condensate hoses
Installation materials
Water drainage hoses
Water supply hoses
Vapour extractor
- Estimated delivery time from our warehouse in Salzkotten, Germany is week: 31 /2022
- Size: W 398 x D 558 x H 228 mm
- Weight: 4.4 kg