

23L, 900W



610836

Bartscher GmbH
Franz-Kleine-Str. 28
D-33154 Salzkotten
Germany

Phone: +49 5258 971-0

Fax: +49 5258 971-120

Technical Support Hotline: +49 5258 971-197

www.bartscher.com



Version: 5.0

Date of preparation: 2024-05-16

Original instruction manual

1	Safety	2
1.1	Explanation of Signal Words	2
1.2	Safety instructions.....	3
1.3	Intended Use	7
1.4	Unintended Use	7
2	General information	8
2.1	Liability and Warranty	8
2.2	Copyright Protection	8
2.3	Declaration of Conformity	8
3	Transport, Packaging and Storage	9
3.1	Delivery Check.....	9
3.2	Packaging	9
3.3	Storage	9
4	Technical Data.....	10
4.1	Technical Specifications	10
4.2	List of Components of the Appliance	11
4.3	Functions of the Appliance.....	11
5	Installation and operation	12
5.1	Installation.....	12
5.2	Basics of Thermal Processing in Microwave.....	13
5.3	Cookware Suitable for Use in Microwave	14
5.4	Operation	15
6	Cleaning	20
6.1	Safety Instructions for Cleaning	20
6.2	Cleaning.....	20
7	Possible Malfunctions.....	21
8	Disposal.....	22



Read this instruction manual before using and keep it available at all times!

This instruction manual contains information about installation, operation and maintenance of the appliance and constitutes an important source of information and reference guide. The knowledge of all operational and safety instructions included in this manual is a prerequisite for safe and proper handling of the appliance. Additionally, accident prevention, occupational health and safety, and legal regulations in force in the area the appliance is used apply.

Before you start using the appliance, especially before turning it on, read this instruction manual in order to avoid personal injuries and property damages. Improper use may cause damage.

This instruction manual forms an integral part of the product and must be stored in an immediate vicinity of the appliance and be available at all times. The instruction manual should be transferred together with the appliance.

1 Safety

This appliance has been manufactured in accordance with technical standards currently in force. However, the appliance may be a source of hazards if used improperly or contrary to its intended purpose. All persons using the appliance must consider information included in this instruction manual and observe safety instructions.

1.1 Explanation of Signal Words

Important safety instructions and warning information are indicated in this instruction manual with appropriate signal words. You must strictly follow the instructions, to prevent accidents, personal injuries and property damages.



DANGER!

The signal word **DANGER** warns against hazards that lead to severe injuries or death if the hazards are not avoided.



WARNING!

The signal word **WARNING** warns against hazards that may lead to moderate or severe injuries or death if the hazards are not avoided.



CAUTION!

The signal word **CAUTION** warns against hazards that may lead to light or moderate injuries if the hazards are not avoided.

IMPORTANT!

The signal word **IMPORTANT** indicates possible property damages, which may occur if safety instructions are not observed.

NOTE!

The symbol **NOTE** indicates subsequent information and guidelines for the user on usage of the appliance.

1.2 Safety instructions

Electrical Current

- Too high a mains voltage or incorrect installation may cause electric shock.
- The appliance may be connected only if data on the rating plate correspond with the mains voltage.
- To avoid short-circuit, the appliance should be kept dry.
- If there are malfunctions during operation, disconnect the appliance from the power supply.
- Do not touch the appliance's plug with wet hands.
- Never take hold of the appliance if it has fallen into water. Immediately disconnect the appliance from the power supply.
- Any repairs or housing opening may be carried out by professionals and relevant workshops only.
- Do not transport the appliance, holding it by the power cord.
- Do not allow the power cord to come into contact with heat sources or sharp edges.
- Do not bend, pinch nor knot the power cord.

- Always completely unwind the power cord.
- Never place the appliance or other objects on the power cord.
- Always take hold of the plug to disconnect the appliance from the power supply.
- Check the power cord regularly for damage. Do not use the appliance if the power cord is damaged. If this cable is damaged, it must be replaced by customer service or a qualified electrician in order to avoid dangers.

Fire or Explosion Hazard

- Do not place any objects inside the appliance (cookbooks, sponges, etc.). Sudden activation of the appliance can cause damage to such objects, and even burn them.
- When heating or cooking food products in containers from flammable materials such as plastic or paper, remain near the appliance as there is a risk of the appliance overheating.
- If objects in the device catch fire, leave the door closed, turn the appliance off and remove the plug from its socket or flip the main circuit breaker switch.
- Do not use metallic pots, pans or covers. Metal may lead to sparks in the cooking chamber. Use only dishes resistant to high temperatures, designed for use in microwave ovens (see sec. 5.3). Risk of fire!
- Do not prepare food products and beverages in closed or sealed containers. Such containers may crack inside the device or injure the user when being opened!
- Do not use the appliance for preparation of fresh or hard-boiled eggs, either in shell or peeled, as eggs may explode.
- Food products with thick skins, such as potatoes, pumpkins, apples or chestnuts, should be pierced prior to heating.
- Do not place solutions inside containing water, oil or grease, as such a mixture may explode.

Safety of Microwave Oven Operation

- Do not fry any food products in the appliance. Hot oil can lead to skin burns and/or damage to the appliance.
- Food products prepared in the appliance are heated unevenly. Also, containers are usually hotter than the food products inside. Carefully check the temperature of food products, especially those prepared for children. Risk of burns!
- During the heating of liquids in the microwave oven it is possible that the liquid may reach boiling temperature without externally visible bubbling. For this reason, special care must be taken when handling the container. Even a light bump, e.g. when removing the liquid from the device, may lead to spillage. Risk of burns!
- For that reason avoid using tall, narrow containers with a thin neck.
- Place a spoon (only in exceptional cases use a metallic one) or glass stirrer in the beverage, then place the dish in the center of the rotating tray. Stir the liquid prior to heating and after half the heating time has elapsed. After heating: wait for a moment, carefully stir the liquid, then remove from the cooking chamber.
- As food prepared in the microwave is heated unevenly, the contents of children's bottles must be mixed thoroughly - optimally by shaking – then, before giving the bottle to the child, check the temperature of the food. **Prior to heating food remove the bottle cap and nipple!**

Microwave Radiation Hazard!

Exposure to microwave radiation may cause bodily injury. To avoid the effects of this risk, follow the safety instructions presented below:

- Do not turn the microwave oven on when the door is open, as the appliance may emit an excess of damaging electromagnetic waves.
- Never change the safety locks!
- It is extremely important to not damage the door and that it can be closed properly. Example of damage to the door which may be unsafe include the following:
 - warping and indentations,
 - cracked and/or properly secured hinges and screws,
 - damaged door seals,
 - cracked glass pane,
 - damaged locking elements.
- The space between the door and the appliance must be free of foreign objects.

- Door seals must be tight and clean, as dirt and damage may allow electromagnetic waves to escape from the microwave oven. Take care to prevent buildup of any residues (e.g. cleaning agents, dust, grease, etc.).

Operating personnel

- The appliance can be used by children of 8 years old and older, as well as by people with reduced physical, sensory or mental abilities and those with limited experience/knowledge as long as they are under supervision or have been instructed on safe use of the appliance and possible risks. Children should not play with the appliance.
- Do not leave the appliance unattended in the presence of children.
- Cleaning and user maintenance may not be performed by children.

Improper Use

- Unintended or prohibited use may cause damage to the appliance.
- The appliance may only be used when its technical condition is flawless and allows for safe operation.
- The appliance may only be used when all connections are executed according to rules of law in force.
- The appliance may only be used when it is clean.
- Use only original spare parts. Never attempt to repair the appliance on your own.
- Do not introduce any changes in the appliance nor modify it.

1.3 Intended Use

As described below, every use of the appliance for a purpose differing and/or diverging from its intended standard use, is prohibited and considered to be an unintended use.

The following is an intended use:

- heating-up and defrosting foods with the use of suitable cookware.

This appliance is intended for use in households and similar places, e.g.:

- in employee canteens in shops, offices, and similar areas;
- on farms;
- by customers in hotels, motels, and other typical accommodation establishments;
- in lodging-houses.

1.4 Unintended Use

An unintended use may lead to personal injuries or property damages caused by hazardous voltage, fire or high temperature. The appliance may only be used to perform tasks described in this instruction manual.

EN

The following is an unintended use:

- for industrial and laboratory needs,
- as a storage compartment (e.g., for cookware/dishes),
- drying paper, textiles or other flammable materials,
- heating/heating up flammable, harmful, and quickly evaporating liquids or materials, etc.

2 General information

2.1 Liability and Warranty

All information and instructions in this instruction manual account for legal regulations in force, current level of technical engineering knowledge as well as our expertise and experience, developed over the years. If special models or additional options are ordered, or state-of-the-art technical solutions were implemented, the actual scope of delivery of the appliance may, in some circumstances, differ from descriptions and numerous drawings in this instruction manual.

The manufacturer is not liable for any damages nor faults stemming from:

- failure to observe instructions,
- unintended use,
- technical alterations introduced by the user,
- usage of unapproved spare parts.

We reserve the right to introduce technical modifications to the product, intended for improvement of the appliance and its performance.

2.2 Copyright Protection

This instruction manual, and texts, drawings and images included in it, as well as its other components are copyright protected. It is prohibited to reproduce this instruction manual (including its excerpts), in any form and by any means, and to use and/or transfer its content to third parties without manufacturer's written permission. Violation of the above results in obligation to pay compensation. We reserve the right to claim further damages.

2.3 Declaration of Conformity

The appliance meets the currently applicable standards and guidelines of the European Union. We confirm the above in the EC Declaration of Conformity. We may provide relevant Declaration of Conformity upon request.

3 Transport, Packaging and Storage

3.1 Delivery Check

Immediately upon reception, check the delivery for completeness and possible shipping damage. In the case of visible transport damage refuse to accept the appliance or accept it conditionally. Mark and note the scope of damage in shipping documents/consignment list of the shipping company and lodge a complaint.

Concealed damage must be reported immediately upon its discovery, as compensation claims may only be filed within applicable time limits.

If you find that parts or accessories missing, please contact our Customer Service Department.

3.2 Packaging

Do not dispose of the appliance cardboard box. It may be used to store the appliance when relocating or when shipping the appliance to our service point in the case of any damages.

The packaging and its elements are made of recyclable materials. Particularly, these are: plastic films and bags, cardboard box.

When disposing of the packaging, observe applicable domestic regulations. Recyclable packaging materials should be recycled.

EN

3.3 Storage

Leave the packaging closed until installation of the appliance; observe external indications concerning method of placing and storage. Store the packaging in the following conditions only:

- in closed rooms;
- in dry and dust-free surrounding;
- away from aggressive agents;
- in a location protected against sunlight;
- in a location protected against mechanical shocks.

In the case of extended storage (over three months), make sure you check the condition of the packaging and the parts regularly. If needed, replace the packaging with a new one.

4 Technical Data

4.1 Technical Specifications

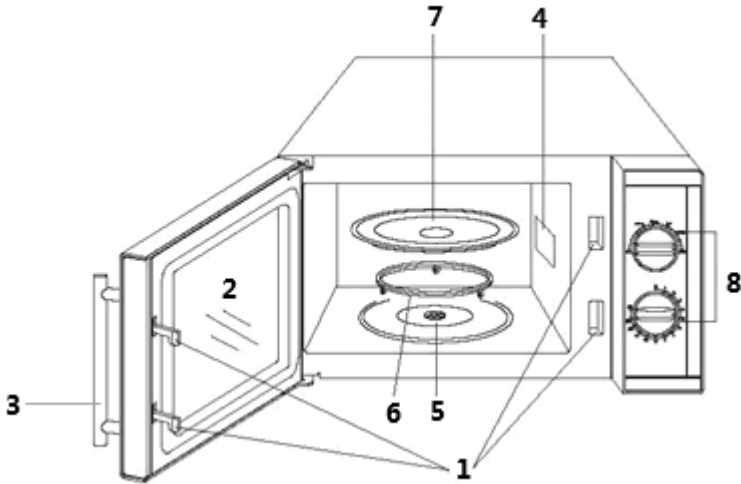
Name:	Microwave 23L, 900W
Article number:	610836
Material:	stainless steel
Chamber material:	stainless steel
Turntable material:	glass
Diameter of the turntable, in mm:	270
Microwave oven output, in W:	900
Number of magnetrons:	1
Power levels:	6
Volume, in L:	23
Chamber dimensions (W x D x H), in mm:	315 x 290 x 200
Time setting, up to, in min.:	30
Connected load:	1,4 kW 230 V 50 Hz
Dimensions (W x D x H), in mm:	480 x 395 x 280
Weight, in kg:	12,8

We reserve the right to implement technical modifications.

Version / characteristics

- Functions:
 - heating-up
 - defrosting
- Timer: manual
- Turntable
- Internal lighting

4.2 List of Components of the Appliance



- | | |
|----------------------------|--------------------------|
| 1. Door safety lock system | 2. Door with sight glass |
| 3. Door handle | 4. Ventilation openings |
| 5. Turntable drive | 6. Roller ring |
| 7. Glass turntable | 8. Control panel |

4.3 Functions of the Appliance

The microwave unit is designed for heating up and defrosting foods with the use of cookware suitable for use in microwave units. With the use of suitable rotary controllers you may set power output and time, as required for a given food.

5 Installation and operation

5.1 Installation

Unpacking / Positioning

- Unpack the appliance, remove all external and internal packaging elements and shipment safeguards.



CAUTION!

Choking hazard!

Prevent children from accessing package materials, for instance: plastic bags and EPS.

- If the appliance is covered with a protective film, remove it. Remove the film slowly, so no glue residues are left. Remove any glue residues with the use of a suitable solvent.
- Be careful not to damage the rating plate and warning labels fixed on the appliance.
- **Never** place the appliance in humid or wet environment.
- Place the appliance in a way making the connections easily accessible, so that they may be quickly disconnected if such a need arises.
- The appliance should be placed on surfaces that are:
 - even, with sufficient bearing capacity, resistant to water, dry and resistant to high temperatures;
 - sufficiently large, and thus enabling usage of the appliance with no problems;
 - easily accessible;
 - well ventilated.
- Maintain sufficient clearance from table edges. The appliance might turn over and fall down.

Installation and operation

- To ensure proper functioning, the device must have sufficient ventilation.
- Never block the ventilation ducts!
- It is necessary to maintain the following safe distances:
 - above the device: 20 cm
 - at rear of device: 10 cm
 - at sides of device: 5 cm.
- The device must remain a minimum distance of 2 m from radios, televisions, and other such electronics in order to avoid interference with the signal reception.

Power supply connection

- Verify if technical data of the appliance (see rating plate) correspond with the local electric power grid specification.
- Connect the appliance to a single, properly grounded mains socket with protective contact. Do not connect the appliance to a multi-socket.
- The power cord should be laid in a way preventing anyone from threading on it or tripping against it.

5.2 Basics of Thermal Processing in Microwave

Instead of traditional heat sources, a microwave oven applies an electron lamp which emits electromagnetic waves. These waves, like radio waves, are invisible but their effects can be observed. Such waves can pass through materials such as glass, porcelain, artificial materials and paper. As these materials do not contain water, grease or oil, they are not heated by the microwaves. Simply put, the microwaves directly reach the food product, causing molecules of water, grease and oil to vibrate; friction results in the creation of heat which is used for defrosting, heating or cooking. During cooking with microwaves, heat remains inside the product being prepared, in opposition to the processes of boiling or grilling in which heat enters the food from the outside. If the device is not damaged, energy created by the microwaves remains inside the device and does not pose a threat to the user.

- Carefully place food products to be cooked inside the microwave oven, with larger pieces at the outer edges.
- Remember the cooking time. It is best to at first set the shortest possible time and then lengthen cooking time as necessary. Excessive cooking time may cause the food product to smoke or catch fire.

- Cover food products during cooking. This will ensure even cooking and prevent splattering.
- Turn food products over while cooking. This will speed up the process of cooking such products as chicken or hamburgers. Large products, such as a roast, should be turned over at least once.
- Such dishes as dumplings should, after half of the cooking time has elapsed, be turned over, moved from the top to bottom, moved from the outside to the inside, etc.

5.3 Cookware Suitable for Use in Microwave

- Check that a dish is suitable to be used in a microwave.

Test: place the empty dish together with a glass of water (never activate the device when empty or with only an empty container inside), then heat at the highest power level for 60 seconds. An appropriate dish will be lukewarm. If the dish is hot, it is not appropriate for use in the microwave.

Proper materials for dishes for the microwave allow microwaves to pass through. Energy goes through the container and heats the food product.

- Do not use metallic containers or containers containing metallic parts (e.g. gold strips around the edge of a plate). Microwaves do not pass through metal.
- Do not use products from recycled materials, as they may contain small pieces of metal. If such containers are used, sparks and even fire may result.
- Dishes of oval and round shapes should be used, as food products cook more quickly in the corners of square-shaped containers.
- Wide, flat containers are best suited to use in the microwave as compared to narrow and tall ones. Food products cook evenly in flat dishes.
- To avoid food from baking onto the edge of dishes, you may cover the edges with thin strips of aluminum foil. Do not use too much aluminum foil, and leave a minimum distance of 2.5 to 3.0 cm between the foil and walls of the microwave cooking chamber.

Installation and operation

Information in the below table may be helpful in selecting the right cookware:

Cookware piece	Microwave unit operation
Oven-proof glass, ceramics, chinaware	yes
Non oven-proof glass, ceramics, chinaware	no
Oven-proof glass ceramics	yes
Plastic cookware suitable for microwave units	yes
Paper towels	yes
Metal cookware or cookware with metal elements (e.g. gold-plated rim)	no
Aluminium film and aluminium film container	no

5.4 Operation

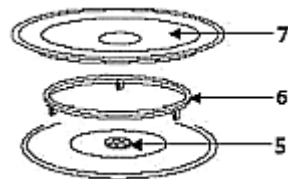
Before use

1. Empty the thermal processing chamber.
2. Prior to first operation, clean the appliance and its equipment according to instructions in section **6 'Cleaning'**.
3. Leave the door open for the chamber to dry completely.

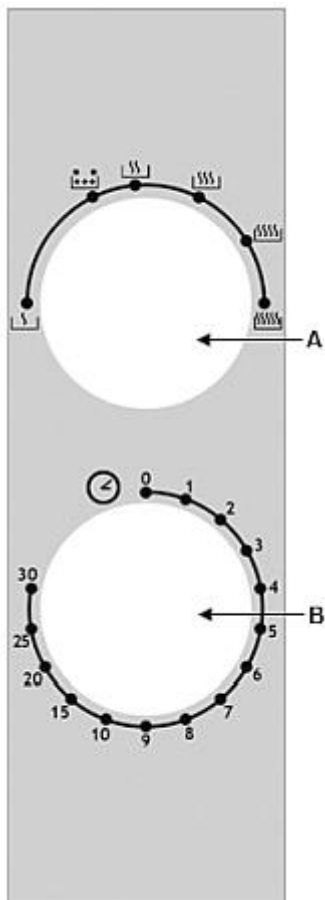
EN

Placing Glass Turntable

1. Insert the roller ring (6) in the groove in the bottom of the thermal processing chamber.
2. Put the glass turntable (7) at the bottom of the chamber with the ribbed side down and rotate it until it engages with the turntable drive (a).



Control Panel



A – power output level controller

Power output levels (6)

	High	Output: 100%
	Medium high	Output: 85%
	Medium	Output: 66%
	Medium low	Output: 48%
	Defrosting	Output: 40%
	Low	Output: 17%

B - Timer (0 – 30 min.)

Heating-up Food



WARNING!

Risk of burns by hot cookware!

Cookware may be very hot, as high temperature from food is being radiated.

Remove cookware only using oven mitts or kitchen dish-cloth.



CAUTION!

Risk of ignition!

Observe the appliance especially with high power output levels!

Reduce the power output in the case of abnormal noises, pouring or bubbling of liquids.

1. Before each use, check if the glass turntable (7) and roller ring (6) are correctly seated.

The thermal processing chamber must be clean; the roller ring (6) must lie in the groove; the glass turntable (7) must be snapped onto the drive of the turntable (5).

HINT:

Never use the appliance without the glass turntable and without a container with food nor without food in a container!

Nothing may protrude outside of the turntable edge.

Do not heat up food directly on the glass turntable (7).

When heating up a number of chunks/pieces, distribute them evenly in a cookware/container, so that they do not touch each other.

2. Place a container with food on the glass turntable (7).
3. Close the door making sure that door seals are free of foreign objects and that the door closes securely.

- Using the right controller, set the required output level and thermal processing duration (1–30).

The thermal processing duration depends on the following food characteristics:

initial temperature:	the lower, the longer the thermal processing duration
density:	the higher, the longer the thermal processing duration
humidity:	the lower, the longer the thermal processing duration
thickness:	the larger, the longer the thermal processing duration
weight:	the larger, the longer the thermal processing duration

NOTE!

As soon as the thermal processing time is set, the appliance starts to operate!

EN


The thermal processing chamber is lit, and the glass turntable is rotating.

- Make sure that the glass turntable is always free to rotate.
- Open the door in order to stop the appliance during operation.
- When food is removed before the set time elapses or when the appliance is not in operation, always set the timer to '0'.

An acoustic signal is heard when the set time elapses.

- Use the door handle to open the door and remove food.

Defrosting

The function labeled  (DEFROST) allows the easy defrosting of frozen food products. Energy created by the microwaves heats the external layer of the product, and the heat slowly seeps into the interior of the product. This ensures even defrosting of the food product.

- Prior to defrosting, remove the packaging from the product.
- Place the product on a plate.

While defrosting proceed in accordance with the following instruction:

Installation and operation

Covering

Food products should be covered, in order to:

- quicken their heating,
- avoid drying out,
- avoid splattering of grease in the cooking chamber,

Exceptions: bread, baked goods, breaded food products and products which are supposed to be crunchy should not be covered.

Turning over / mixing

Practically all food products should be turned over and/or mixed at least once during defrosting.

1. Sticky pieces of food should be separated as quickly as is possible.

Smaller portions

Smaller portions defrost more evenly and quicker than larger ones.

1. Divide food products into smaller pieces prior to defrosting.

An entire meal can thus be quickly and easily prepared.

EN

Delicate foods

Delicate foods such as pate / cakes, cream, cheese or bread should be only partially defrosted, and the defrosting process should be finished at room temperature. In this manner you will avoid a situation where the food is too hot on the outside while still frozen on the inside.

Leaving dishes out

The time for leaving dishes out following defrosting is very important, as it guarantees continuation of the defrosting process. After defrosting, the defrosted food product should be cooked as soon as possible. Do not re-freeze defrosted food products.

6 Cleaning

6.1 Safety Instructions for Cleaning

- Before cleaning, disconnect the appliance from the power supply.
- Leave the appliance to cool down completely.
- Make sure water does not enter the appliance. Do not immerse the appliance in water or other liquids during cleaning. Do not clean the appliance with a pressurized water jet.
- Do not use any sharp or pointed, nor metal implements (knife, fork, etc.). Sharp or pointed implements may damage the appliance, and when in contact with live parts, they may cause electric shock.
- For cleaning, do not use any scouring agents that contain solvents nor corrosive cleaning agents. They may damage the surface.

6.2 Cleaning

1. Clean the appliance regularly at the end of each working day, or more frequently, if needed.
2. Thoroughly remove all food left-overs and beverage remains from internal walls with a soft and damp cloth. With extensive soiling you may also use a mild cleaning agent.
3. Clean external surfaces with a soft, damp cloth.

NOTE!

To protect elements inside the device against damages, do not allow water to enter the device through ventilation openings.

4. Wipe the door, door seals and neighbouring elements gently with a damp cloth.
5. Clean the control panel with a soft, damp cloth only. Leave the device door open to avoid accidental switching on.
6. Clean the roller ring and glass turntable regularly with a mild washing agent or in a dishwasher.
7. If condensed water is collecting on the inside and outside of the door, remove the humidity with a soft cloth.

HINT:

Condensed water is collecting when the device is used in conditions of high air humidity. The phenomenon of water condensing is normal.

Possible Malfunctions

8. The smells inside the device can be eliminated by placing a cup of water with lemon juice and zest in a microwave-safe container for approx. 5 minutes to heat.
9. Thoroughly clean the device with a dry, soft cloth.

7 Possible Malfunctions

If the microwave does not work:

1. Check if the appliance is correctly connected to the power supply. Remove the plug from the socket and wait for approx. 10 minutes before re-connecting it correctly.
2. Check if a fuse has not been tripped or if the main switch is not switched off. If they operate correctly, check the connection with another appliance.
3. Check if door is locked correctly (door safety lock system). Otherwise, due to safety reasons, microwaves are not generated in the thermal processing chamber.

NOTE:

If all the errors listed above may be excluded, have a qualified specialist or a re-seller immediately check the appliance and repair it should it be necessary.

8 Disposal

Electrical Appliance



Electric appliances are marked with this symbol. Electrical appliances must be disposed of and recycled in a correct and environmentally friendly manner. You must not dispose of electric appliances with household waste. Disconnect the appliance from the power supply and remove power cord from the appliance.

Electrical appliances should be returned to designated collection points.