

BR1200 GS



306800

Bartscher GmbH
Franz-Kleine-Str. 28
D-33154 Salzkotten
Germany

Phone: +49 5258 971-0
Fax: +49 5258 971-120
Service hotline: +49 5258 971-197
www.bartscher.com

Version: 1.0

Date of preparation: 2023-12-20

Original assembly instructions

Technical data

Name:	Mobile sink centre BR1200 GS
Art. No.:	306800
Material:	Stainless steel
Number of chambers:	1
Chamber dimensions (W x D x H), in mm:	400 x 500 x 285
Chamber volume, in litres:	57
Water drain diameter, in mm:	40
Raised edge, in mm:	240
Dimensions of the cut-out for a dishwasher:	602 x 685 x 856
Number of swivel casters:	4
Diameter of casters, in mm:	55
Number of feet:	4
Height-adjustable feet, from—to, in mm:	65 - 90
Dimensions (W x D x H), in mm:	1.200 x 700 x 1200
Weight, in kg:	73,2

We reserve the right to implement technical modifications.

Version / characteristics

- Type: mobile
- Designed for: industrial dishwashers
- Fittings for loading / unloading tables for dishwashers: not available
- Drainer: on the left
- Splash guard
- Features:
 - dishwasher can be installed under the drainer
- Bottom shelf
- The set includes:
 - 1 overflow pipe: Ø 40 mm, length 280 mm
- Important hint:
 - diameter of the cut-out for the fittings: 45 mm

Intended Use

EN

As described below, every use of the appliance for a purpose differing and/or diverging from its intended standard use, is prohibited and considered to be an unintended use.

The following is an intended use:

- to serve as a mobile sink centre or fixed station for washing dishes in a sink or with a dishwasher as an option.

Function

This mobile sink centre has a cut-out for a dishwasher, a sink, and a drainer. With the casters and height-adjustable feet, it may transform from mobile into stationary hygiene station in a matter of seconds.

List of components

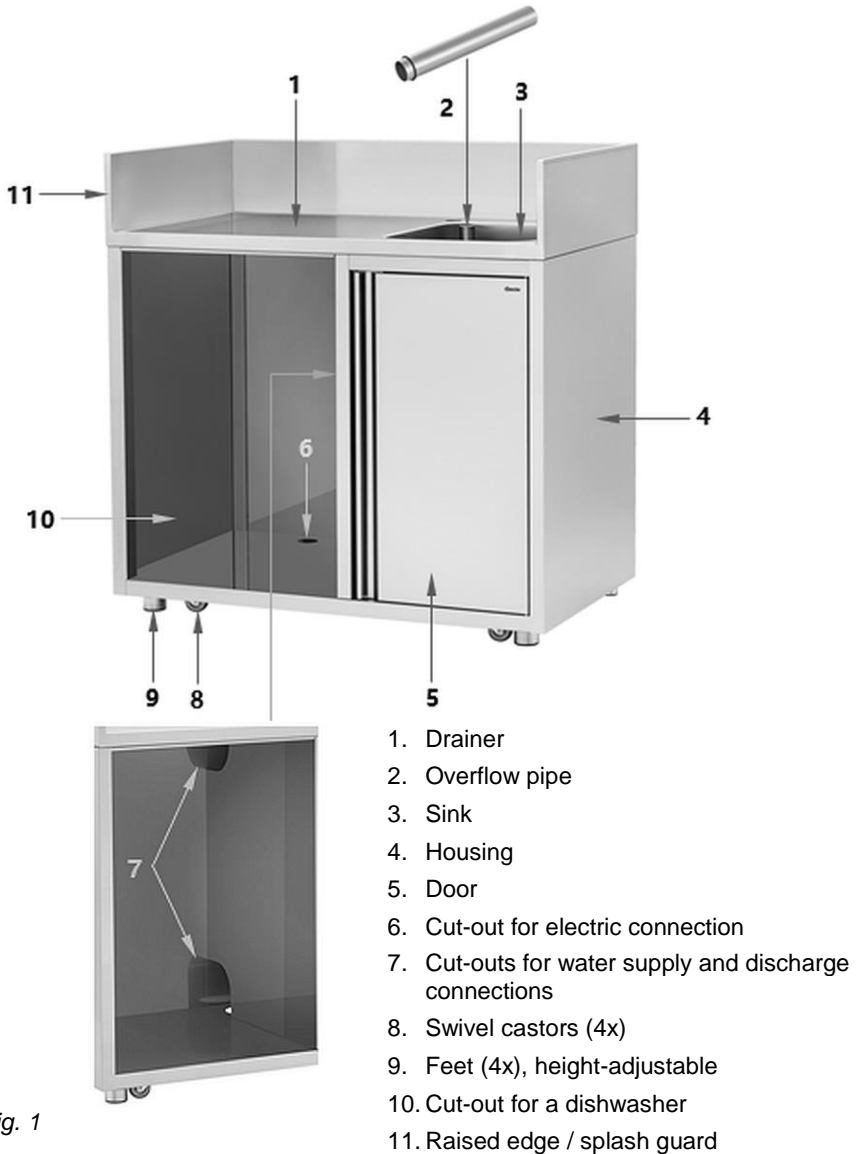
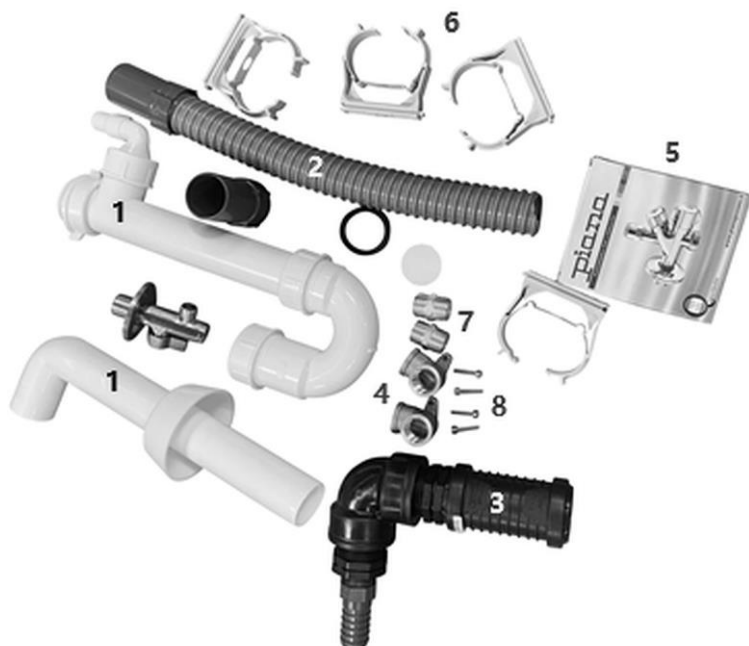


Fig. 1

Equipment included / components



EN

Fig. 2

1. Drain trap
2. Drain hose (1x)
3. Water drain pipe
4. Wall-mounted connection couplers (2x)
5. Elbow valves (2x)
6. Drainpipe clamping rings (4x)
7. Double coupling (2x)
8. M5x30 screws (4x)

Installation instructions



CAUTION!

Incorrect installation, positioning, operation or handling of the appliance may lead to personal injury or property damage.

Positioning and installation, as well as repairs may be performed by authorised technical service only and in compliance with the applicable national law.

Carry out the assembly in the order shown below:



Fig. 3

1. Fix the connection couplers to the wall at designated mounting positions.



Fig. 4

2. Insert elbow valves into the wall-mounted connection couplers.



Fig. 5

3. Connect the elbow valve with the connection coupler.



Fig. 6

4. Install clamping rings for drainpipes



Fig. 7

5. Install the drain trap.



Fig. 8

6. Fix the drain hose in the clamping rings.



Fig. 9

Installation completed

Cleaning

ATTENTION!

Do not use any aggressive or coarse cleaning agents, nor containing acids.

Do not use scouring sponges or synthetic cloths, etc.

1. Keep mobile sink centre surfaces and the sink clean and dry to avoid limescale deposits and corrosion.
2. Thoroughly clean the outer surfaces with a soft cloth and special cleaning agent for stainless steel surfaces.
3. Rinse with fresh water to remove all traces of the cleaning agent.
4. Dry the cleaned surfaces with a dry, soft cloth.