

**TSA300V**



**300055**

Bartscher GmbH  
Franz-Kleine-Str. 28  
D-33154 Salzkotten  
Germany

Phone: +49 5258 971-0  
Fax: +49 5258 971-120  
**Service hotline:** +49 5258 971-197  
[www.bartscher.com](http://www.bartscher.com)

Version: 1.0

Date of preparation: 2023-03-03

**Original instruction manual**

## Technical Data

<b>Name:</b>	<b>Serving trolley TSA300V</b>
Art. No.:	<b>300055</b>
Material:	plastic, aluminium
Number of shelves:	3
Shelf dimensions (W x D), in mm:	785 x 485
Clearance between shelves, in mm:	295
Max. load-bearing capacity per shelf, in kg:	40
Max. total load-bearing capacity, in kg:	120
Number of swivel casters:	4
Locking swivel casters:	2
Diameter of swivel casters, in mm:	100
Number of caster dampers:	4
Material of caster dampers:	plastic
Dimensions (W x D x H), in mm:	1000 x 495 x 920
Weight, in kg:	15,4

EN

We reserve the right to implement technical modifications.

## Version / Characteristics

- Colour: black
- Delivery form: self-assembly set, simple assembly
- Purpose:
  - transportation
  - serving
  - cleaning
- Version: shelves
- Housing: 3-sided
- Rim: at 3 sides
- With handles

## Intended Use

As described below, every use of the appliance for a purpose differing and/or diverging from its intended standard use, is prohibited and considered to be an unintended use.

EN

The following is an intended use:

- Cleaning and transporting dishes.
- Serving dishes.

## Accessories (not included in the delivery)

### Cleaning container set TSA300V

for serving trolley TSA300V

Waste container:

W 343 x D 230 x H 440 mm

Cutlery container:

W 333 x D 230 x H 173 mm

Weight: 2.0 kg

**Art. No. 300061**

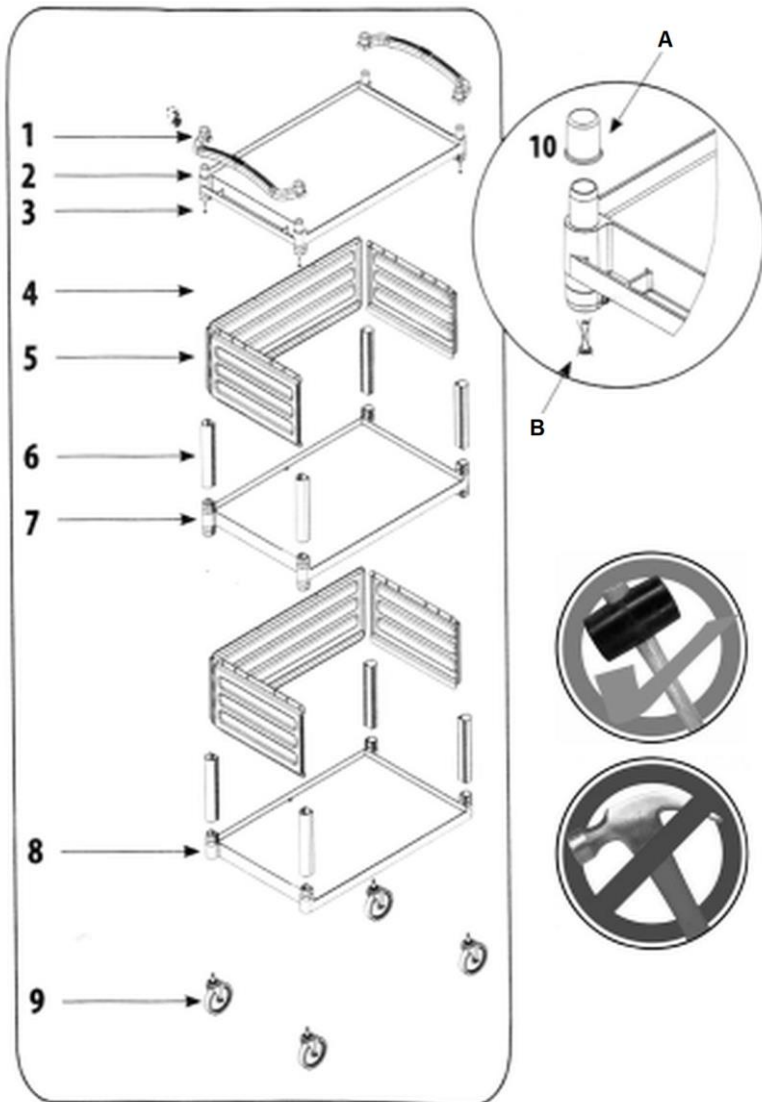


*Fig. 1*

## Scope of Delivery / Part Name

1. Unpack the serving trolley and remove the packing material pursuant to environmental regulations.
2. Check completeness of delivery according to the list below and Fig. 2:

No.	Name	Number
1	Handle	2x
2	Top shelf	1x
3	Handle bolt	4x
4	Rear wall (large)	2x
5	Side wall (small)	4x
6	Spacer	8x
7	Centre shelf	1x
8	Bottom shelf	1x
9	Swivel casters	4x
10	Cover (optional for 1-handle assembly)	2x



EN

Fig. 2

## Assembly

1. Under each shelf, check the marking for the bottom, centre or top shelves.
2. Start assembly with the bottom shelf (8, Fig. 2).
3. Place 4 spacers (6) in the corners of the bottom shelf.

### NOTE!

**Use a rubber mallet to hammer each spacer down until there are no gaps between the spacers and the corner fixings of the bottom shelf.**



4. First, place the back wall (4), inserting it into the slots provided in the spacers (6).
5. In the same way, fit the side walls (5) on the right and left sides into the spacers (6) (Fig. 3).
6. Make sure that all the walls engage well in the slots.

EN

Fig. 3

7. Next, place the centre shelf (7) over the spacers (6).
8. Place 4 further spacers (6) in the corners of the centre shelf (7). Use a rubber mallet to fix the spacers correctly.
9. Repeat steps 4 and 5 to fix the back and side walls.
10. Before fitting the top shelf (2) to the serving trolley, fix both handles (1) onto it.
11. Secure the handles in the lower holes of the top shelf with the screws (3) provided.
12. Now, using a rubber mallet, fix the top shelf (2) with the handles (1) fitted onto the spacers (6).
13. If only one handle will be used instead of two, note the notch in the upper part — see Fig. 1.  
**A** – optional covers (10) for the serving trolley with one handle.  
**B** – with handle screw when using covers.





14. Lay the serving trolley on its side.
15. Use a rubber mallet to fix the swivel casters (9) to the bottom shelf (8) of the serving trolley.
16. Place the serving trolley on the swivel casters.

Fig. 4

## Loading the Serving Trolley

1. The serving trolley with 3 shelves can be used for serving, cleaning and transporting.
2. Place dishes, cutlery etc. on the shelves of the serving trolley as required. Rims on the shelves prevent the transported items from slipping.

Thanks to the three-sided housing, the trolley hides transported items, such as dirty dishes, from view.



Fig. 5

## Cleaning

### ***ATTENTION!***

**For cleaning, do not use any scouring agents containing solvents nor corrosive cleaning agents. They may damage the surface.**

1. Clean the serving trolley regularly with warm water and a soft, damp cloth. Use a mild cleaning agent when required.
2. Dry the serving trolley with a soft cloth.