



**A500405**

Bartscher GmbH  
Franz-Kleine-Str. 28  
D-33154 Salzkotten  
Germany

Phone: +49 5258 971-0  
Fax: +49 5258 971-120  
**Service hotline:** +49 5258 971-197  
[www.bartscher.com](http://www.bartscher.com)



Version: 1.0

Date of preparation: 2023-02-24

**Original instruction manual**

## Technical Data

|                                |                              |
|--------------------------------|------------------------------|
| <b>Name:</b>                   | <b>Buffet display double</b> |
| Art. No.:                      | <b>A500405</b>               |
| Colour:                        | white                        |
| Material:                      | plastic                      |
| Hood version:                  | detachable, plexiglas        |
| Number of levels:              | 2                            |
| Operation:                     | on both sides                |
| Dimensions (W x D x H), in mm: | 470 x 315 x 415              |
| Weight, in kg:                 | 3,1                          |

We reserve the right to implement technical modifications.

## Intended Use

As described below, every use of the appliance for a purpose differing and/or diverging from its intended standard use, is prohibited and considered to be an unintended use.

The following is an intended use:

- Storing suitable cakes, snacks and similar food products.

## Unpacking

1. Unpack the buffet display and remove the packing material observing environmental regulations in force.

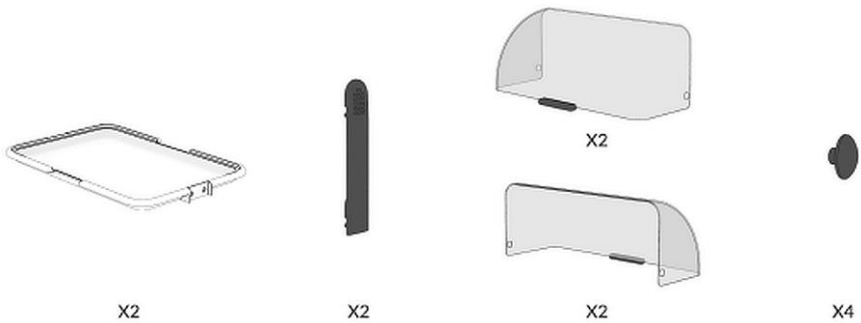
### CAUTION!

#### Choking hazard!

Prevent children from accessing packaging materials, for instance: plastic bags and EPS elements.

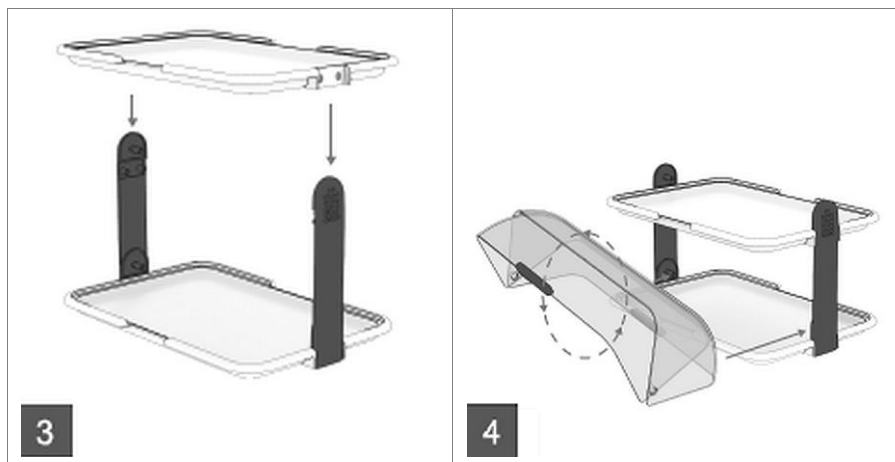
## Equipment Included

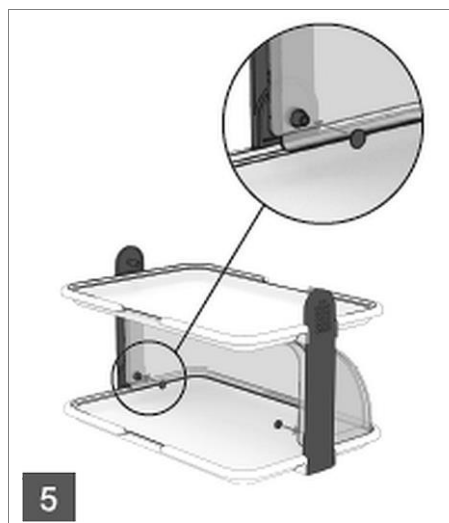
1. Check completeness of delivery following the figure below:



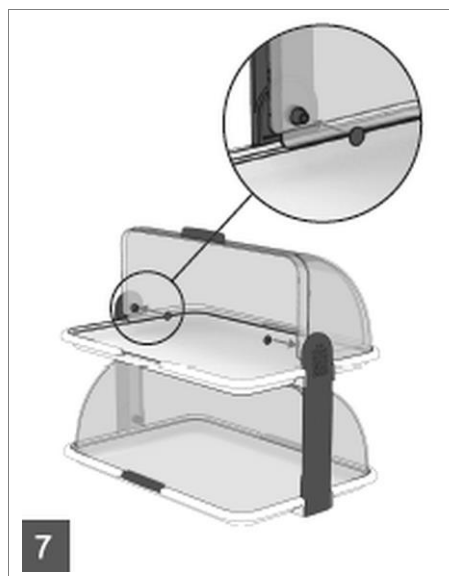
## Assembly

1. Assemble the buffet display using the following figures.





EN



## **Before Use**

1. Before use, clean the buffet display thoroughly observing indications in section '**Cleaning**'.
2. To end with, dry all cleaned parts with a soft dish-cloth.

## **Indications for User**

- Place the buffet cabinet on an even surface.
- Do not locate the buffet cabinet in a place exposed to the direct sunlight.
- Use the buffet display to display cakes, snacks and similar food products in self-service areas.
- Do not store perishable products in the buffet cabinet.

## Cleaning

### **ATTENTION!**

**For cleaning, do not use any scouring agents containing solvents nor corrosive cleaning agents. They may damage the surface.**

1. For cleaning, disassemble all components of the buffet display.
2. After use and in the meantime, should it be needed, clean the buffet display with warm water, a mild cleaning agent and a soft cloth. For cleaning, remove all components of the buffet display.
2. After use and in the meantime, should it be needed, clean the buffet display with warm water, a mild cleaning agent and a soft cloth.
3. Thoroughly dry all cleaned elements.

### **NOTE!**

**Components of the buffet display are dishwasher-safe.**

4. Clean the buffet display regularly with food-grade disinfectant.