

**STMS 1000**



**130154**

Bartscher GmbH  
Franz-Kleine-Str. 28  
D-33154 Salzkotten  
Germany

Phone: +49 5258 971-0  
Fax: +49 5258 971-120  
**Service hotline:** +49 5258 971-197  
[www.bartscher.com](http://www.bartscher.com)

Version: 1.0

Date of preparation: 2023-08-24

**Original instruction manual**

## Technical data

<b>Name:</b>	<b>Hand blender holder STMS 1000</b>
Art. No.:	<b>130154</b>
Material:	stainless steel
Pot diameter, from-to, in mm:	400 - 690
Mixer, diameter, in mm:	42
Dimensions (W x D x H), in mm:	405 x 604 x 83
Weight, in kg:	1,3

We reserve the right to implement technical modifications.

## Version / features

- Designed for: set with immersion blender 1000
- Adjustable position and angle
- Saving time
- More flexibility in kitchen

EN

## Intended Use

As described below, every use of the appliance for a purpose differing and/or diverging from its intended standard use, is prohibited and considered to be an unintended use.

The following is an intended use:

- Blender mounted on the pot.

## Function

With this immersion blender holder the blender is fixed to the pot, and you can chop, blend and heat up the food while it is being mixed, without the need to use your hands.

## Equipment Included

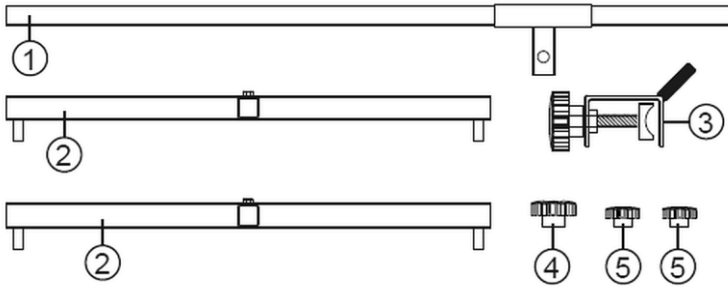


Fig. 1

## Assembly

1. Assemble the immersion blender holder as shown in the figures below.

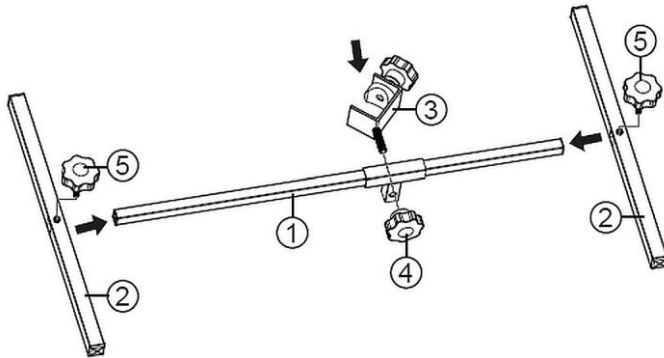


Fig. 2

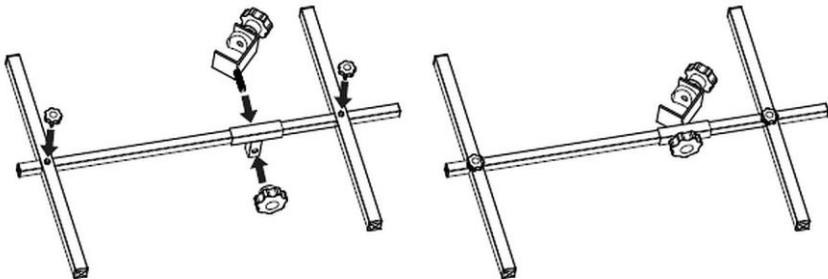


Fig. 3

## Fixing the immersion blender holder to the pot

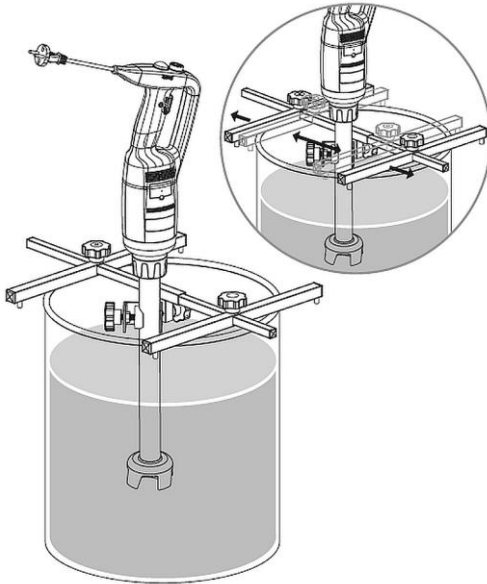


Fig. 4

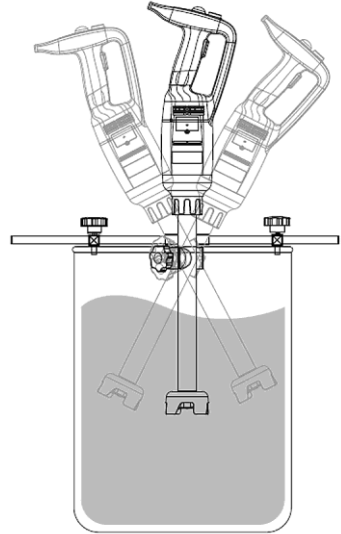


Fig. 5

1. Place the immersion blender holder on the edge of the pot.
2. Move the bars (2, Fig. 1) to the edge of the pot, and fix them in this position with the use of the screws (5).
3. Put the blender in the clamp (3)
4. Tighten the screw properly (4).
5. Slide the clamp (3) with the blender attached on the rail (1) to the desired position, and fix it with the set screw (4).
6. If needed, change the blender fixing angle in the clamp (3) by unscrewing the set screw (4) and then tightening it again.

## Cleaning

1. Immersion blender holder should be cleaned regularly with a soft, damp cloth.  
Use a mild cleaning agent when required.
2. Dry the blender holder thoroughly with a soft cloth.