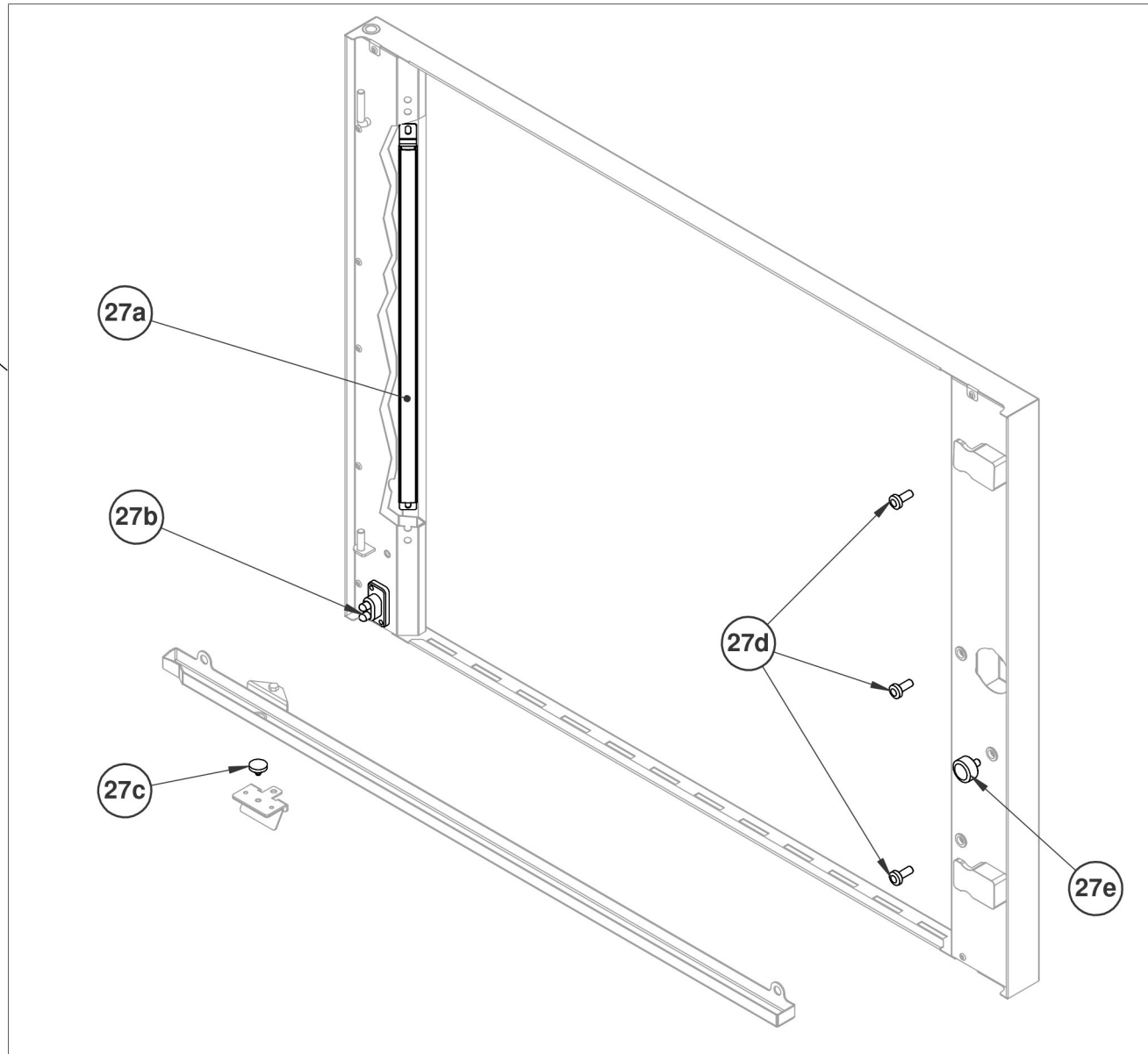


27



| Pos. | Artikelbeschreibung | Description of item | Artikel Nr./Item No. |
|------|--------------------------------|--------------------------------|----------------------|
| 1 | Sicherheitsthermostat | Safety thermostat | E06011153 |
| 2 | Kondensator 6µF | Condenser 6,3µF | 06090016 |
| 3 | Transformator | Transformer | E06041099 |
| 4 | Hauptplatine | Oven main board | E06010226 |
| 5 | Magnetschalter | Proximity Hall sensor | E06042146 |
| 6 | Magnet | Magnet for hall sensor | E06042147 |
| 7 | Motor | Motor | E06033157 |
| 8 | Dichtung | Sealing | E06090171 |
| 9 | Motorventil | Motor for valve | E06031017 |
| 10 | Entlüftungsrohrdichtung | Vent pipe gasket | E02029878 |
| 11 | Fühler z. Garraum | Sensor f. inner chamber | 06000093 |
| 12 | Ablaufabdeckung | Complete drain grate | E02018400A |
| 13 | Auflageschiene 1 St. | Guiding rail 1 pc | 02021742 |
| 14 | Bolzen | Pin | E02026691 |
| 15 | Kontakt z. Lampe | Connector f. lamp | E02025251 |
| 16 | Lüfter | Fan | E05901012 |
| 17 | Dichtung Heizung | Sealing for heating element | E02027323 |
| 18 | Heizkörper, 3000 W, 230 V | Heating element, 3000 W, 230 V | 06002113 |
| 19 | Dichtung | Humidifier pipe gasket | E02027322 |
| 20 | Rohr | Tube | E02017917 |
| 21 | Einspritzung f. Wasser | Water injection | 02018414 |
| 22 | Unterlegscheibe | Injector flat washer | E05218029 |
| 23 | Zahnscheibe | Injector serrated washer | E05218024 |
| 24 | Mutter für Lüfter | Oven fan screw | E05111062 |
| 25 | Dichtung f. Tür, schwarz 2,0 m | Door gasket, black 2,0 m | E070701004 |
| 26 | Glasscheibe, innen | Inner glass | E02028072 |
| 27 | Tür, komplett | Door, complete | E02028171 |
| 27a | LED - Beleuchtung | LED - illumination | E02024939 |
| 27b | Kontakt z. Lampe | Connector f. lamp | E02025007 |
| 27c | Kappe z. Becken | Cap f. basin | 02012707 |
| 27d | Stoßdämpfer | Buffer | 02021521 |
| 27e | Kappe z. Mikroschalter | Cap f. microswitch | 02022746 |
| 28 | Türgriff, Edelstahl | Door handle, stainless steel | 02022822 |
| | | | |



Kombidämpfer Silversteam2 5230DRS
Artikel-Nr.: 117172

Ersatzteilliste
26.09.2024

Seite
3 / 5

| Pos. | Artikelbeschreibung | Description of item | Artikel Nr./Item No. |
|------|-------------------------------------|-----------------------------------|----------------------|
| 29 | Bedienblende | Front panel with glass | E02029914CB |
| 30 | Steckdose für Kerntemperraturfühler | Core probe connector | E06000127 |
| 31 | Schalter | Switch | 06032033 |
| 32 | USB Anschluss | USB Connection | E06060045 |
| 33 | WLan-Modul | WiFi module | E06010238 |
| 34 | Flachbandkabel | 5 way cable L=750mm | E06050078 |
| 35 | Touchscreen | Oven Keyboard | E06010232 |
| 36 | Fuß | Base | 05900030 |
| 37 | Kühlungslüfter | Fan | E06033173 |
| 38 | Luftfilterhalterung | Air filter support | E02026370 |
| 39 | Luftfilter | Air cleaner | E02026386 |
| 40 | Magnetventil | Magnetic valve | 06042103 |
| 40a | Drossel im Magnetventil (braun) | Reduction for magnetic valve | 06042091 |
| 40b | Düse, Waschsystem | Nozzle, wash-up system | E06042115 |
| 40c | Rückschlagventil | Check valve | E06042128 |
| 41 | Mikroschalter f. Tür | Microswitch f. door | 06043080 |
| 42 | Verschluss | Lock | 05900124 |
| 43 | Summer | Summer | 06010182 |
| 44 | Schütz 3P+1N, 9 A, BF0910A230 | Contactora 3P+1N, 9 A, BF0910A230 | 06046033 |
| 45 | Anschlussklemme | Terminal clamp | E06050659 |
| 45a | Steckdose | Panel shuttered socket | E06060047 |
| 46 | Steckanschluss | Push-on fitting | E07050341 |
| 47 | Schlauch PTFE | PTFE pipe | E07090125 |
| 48 | Rückschlagventil | Non-return valve | E06042136 |
| 49 | Schlauch PE | PE pipe D.6X8 | E07090128 |
| 50 | Pumpe f. Reinigungsmittel | Cleaning agents pomp | E06042140 |
| 51 | Schlauch (2m) | Hose | E07090132 |
| 52 | Ansaugstück | Anti-floating weight | E02027354 |
| 53 | Injektor für Waschanlage | Injektor for washing maschine | E06042143 |
| | | | |
| | | | |
| | | | |
| | | | |
| | | | |



| Pos. | Artikelbeschreibung | Description of item | Artikel Nr./Item No. |
|---------|-----------------------------------|--------------------------------------|----------------------|
| Zubehör | Kerntemperaturfühler-Set SST2-D1P | Core temperature sensor set SST2-D1P | 116109 |
| Zubehör | Kerntemperaturfühler-Set SST2-D4P | Core temperature sensor set SST2-D4P | 116113 |
| Zubehör | Verbindungsset Silversteam2 | Connection kit Silversteam2 | 116112 |
| Zubehör | Untergestell Silversteam 230 | Base unit Silversteam 230 | 115075 |
| Zubehör | Kombidämpfer-Beschwadungssset | Pump set f. combi steamer | 116011 |
| Zubehör | Kombidämpfer-Handbrause | Hand shower f. combi steamer | 116005 |
| Zubehör | Smoker-Box 1160 | Smoker-Box 1160 | 117712 |
| Zubehör | Druckminderer | Pressure regulator | 533051 |
| Zubehör | Kombidämpferreiniger RS-5L | Combi steamer cleaner RS-5L | 116299V |
| Zubehör | Kombidämpferreiniger F10L | Combi steamer cleaner F10L | 173279 |
| | | | |
| | | | |
| | | | |
| | | | |
| | | | |
| | | | |
| | | | |
| | | | |
| | | | |
| | | | |
| | | | |
| | | | |
| | | | |
| | | | |
| | | | |
| | | | |
| | | | |
| | | | |
| | | | |
| | | | |
| | | | |
| | | | |
| | | | |
| | | | |
| | | | |