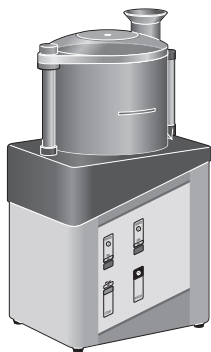
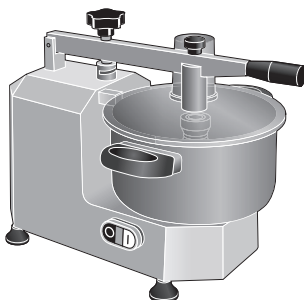


Bartscher



CL/3 - CL/5 - CL/8
CL/52V - CL/82V



BC/3N
120.831

uso e manutenzione **IT**

* use and maintenance **GB**

emploi et entretien **FR**

Gebrauch und Wartung **DE**

uso y mantenimiento **ES**

uso e manutenção **PT**

использование и техобслуживание **RUS**

CE

MOD018V03

RACCOMANDAZIONI PER IL LETTORE

Prima di mettere in esercizio l'apparecchiatura, è necessario leggere e comprendere tutto il contenuto del manuale di istruzioni.

Si raccomanda di leggere le disposizioni di sicurezza e di rispettarle rigorosamente.

La prudenza è comunque insostituibile. La sicurezza è anche nelle mani di tutti coloro che interagiscono con l'apparecchiatura nell'arco della vita prevista.

Conservare questo manuale in un luogo noto per averlo sempre a disposizione qualora sia necessario consultarlo.

RECOMMENDATIONS FOR THE READER

Before running the appliance, carefully read the entire instruction manual.

Please read the safety instructions and strictly follow them.

However, discretion is invaluable. Safety is also in the hands of all those who use the appliance during its expected working life.

Keep this manual in a known place so its is always available for consultation when needed.

RECOMMANDATIONS POUR LE LECTEUR

Avant de mettre l'appareil en service, il est nécessaire de lire et comprendre l'ensemble du contenu du mode d'emploi.

Il est recommandé de lire les dispositions de sécurité et de les respecter rigoureusement.

La prudence est de toute façon irremplaçable. La sécurité se trouve entre les mains de chaque personne qui interagit avec l'appareil au cours de sa vie prévue.

Conservé ce mode d'emploi en un lieu connu pour l'avoir toujours à portée de main s'il est nécessaire de le consulter.

EMPFEHLUNGEN FÜR DEN LESER

Vor der Inbetriebnahme des Geräts ist der gesamte Inhalt der Bedienungsanleitung zu lesen und zu verstehen.

Es wird empfohlen, die Sicherheitsvorgaben zu lesen und diese strikt zu befolgen.

Umsichtiges Arbeiten ist in jedem Fall unverzichtbar. Die Sicherheit liegt auch in den Händen derjenigen, die mit dem Gerät während der vorgesehenen Lebensdauer interagieren.

Bewahren Sie diese Bedienungsanleitung an einem bekannten Ort auf, um sie bei Bedarf stets greifbar zu haben.

RECOMENDACIONES PARA EL LECTOR

Antes de poner en funcionamiento la máquina, es necesario leer y comprender todo el contenido del manual de instrucciones.

Se recomienda leer las disposiciones de seguridad y respetarlas taxativamente.

La prudencia no puede sustituirse. La seguridad está también en manos de quienes utilizan la máquina durante la vida útil prevista.

Conservar este manual en un lugar conocido para disponer del mismo en caso de ser necesaria su consulta.

RECOMENDAÇÕES PARA O LEITOR

Antes de pôr a máquina a funcionar, é necessário ler e compreender o conteúdo do manual de instruções.

Recomenda-se a leitura das disposições de segurança e o rigoroso respeito das mesmas.

De qualquer modo, a prudência é insubstituível. A segurança também está nas mãos de todas as pessoas que interagem com a máquina no arco da sua vida prevista.

Conservar este manual num lugar conhecido para o ter sempre à disposição quando for necessário consultá-lo.

РЕКОМЕНДАЦИИ ЧИТАТЕЛЮ

Перед вводом в эксплуатацию оборудования необходимо прочитать и усвоить все содержимое настоящего руководства.

Прочитать и строго соблюдать инструкции по технике безопасности.

Осторожность незаменима. Безопасность находится в руках всех тех, кто взаимодействует с оборудованием на протяжении всего срока его эксплуатации.

Хранить данное руководство в хорошо известном и доступном месте, чтобы обращаться к нему по мере необходимости.

GENERAL AND SAFETY INFORMATION

Purpose of the manual3
 Machine and manufacturer identification 3
 Contacting customer service.....4
 Safety devices4
 Safety and information signs.....6
 Unpacking, handling and installation instructions.....6

CUTTER CL

General appliance description8
 Technical specifications9
 Control descriptions10
 Recommendations for use10
 Appliance cleaning11
 Troubleshooting12

CUTTER BC/3N

General appliance description14
 Technical specifications15
 Control descriptions15
 Recommendations for use16
 Appliance cleaning16
 Troubleshooting17



GB

PURPOSE OF THE MANUAL

- The use and maintenance manual, which is an integral part of the appliance, was written by the manufacturer in his mother tongue to provide the information needed by those authorised to use the appliance during its expected working life.
- Time dedicated to reading this information will prevent personal health and safety risks and economic damages.
- The manufacturer reserves the right to modify the information in the manual without prior notice provided these changes do not affect safety.
- Some parts of the text are highlighted to emphasise their importance.



Important

This indicates particularly important technical information that should not be ignored.



Caution - Precaution

This indicates that adequate actions must be taken to avoid harm to personal safety and health and economic damages.



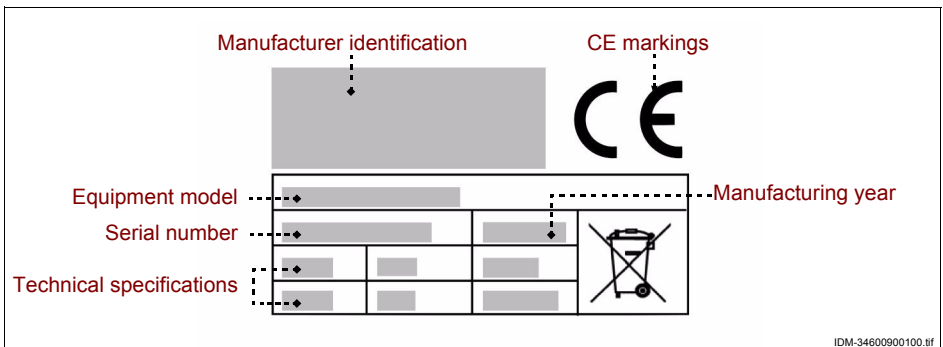
Danger - Warning

This indicates potentially hazardous situations which, if ignored, could cause serious harm to personal health and safety.

GB

MACHINE AND MANUFACTURER IDENTIFICATION

The illustrated identification plate is applied directly on the equipment. It includes references and all indications required for working safety.



CONTACTING CUSTOMER SERVICE

Indicate the appliance version and type of defect found when contacting customer service.

SAFETY DEVICES

- During design and construction the Manufacturer has carefully considered all aspects that could cause possible hazards and personal risks.
- The manufacturer has adopted all the "rules of good construction practice" and constructed the machine with specifically selected materials to guarantee food hygiene and working operability.
- The purpose of this information is to inform the user to pay attention to prevent any type of operating and food risk. However, discretion is invaluable. Safety is also in the hands of all those who use the appliance (installation technicians and users).
- GB** - Carefully read the instructions in this manual and those applied directly on the equipment; in particular, observe those that pertain to safety.
- Handle the appliance following the information on the packaging, on the appliance and in the instructions for use.
- During transport, handling and installation, do not hit or drop the appliance to avoid damaging its parts.
- Personnel authorised to perform power connections must make sure the mains specifications match those on the plate, that the mains has a circuit breaker and components in accordance with current laws and regulations.
- Do not tamper with, remove or bypass the safety devices installed on the appliance for any reason.
- The user should carefully read the entire manual and make sure all parts are understood, especially all the information concerning safety.
- Upon first appliance use, if necessary, simulate use to identify controls especially power on and off controls.

Only use the appliance as intended. Improper appliance use or use other than that admitted may cause personally safety risks and injuries and economical damages.

The manufacturer is not liable for any damages due to improper appliance use, failure to follow the instructions in the user manual and appliance tampering or changes without official authorisation.

- All work that requires specific technical skills or abilities (installation, power connections, etc.) must only be performed by authorised personnel with recognised experience in the specific field.
- Do not use the appliance with broken or inefficient power wires. When a defect is found, immediately stop the appliance in safety conditions and have authorised and qualified personnel replace wires.

Before cleaning, maintenance, etc., TURN OFF THE POWER (or unplug the power cord) and make sure the processing area is fully cooled.

- Clean the appliance after every use or when reasonably needed, also according to the type of food product processed.
- Accurately clean all appliance parts (including surrounding areas) that can come into direct or indirect contact with food products to avoid the risk of contamination and maintain hygiene.
- Only clean the appliance with food safe detergents. Never use corrosive and flammable cleaning products or products that may contain and/or emit harmful substances.
- Clean and disinfect the appliance wearing personal safety devices especially when detergents are used.
- Do not clean the appliance under running water to avoid damaging parts, especially electric and electronic parts.
- In the event of prolonged appliance disuse, clean and thoroughly dry all its parts (internal and external). Unplug the power cord and make sure the room conditions are suited to preserve the appliance in time.

Conditions necessary for correct electrical equipment operations are listed according to the surrounding environment.

- Room temperature not under 5°C.
- Relative humidity between 50% (at 40°C) and 90% (at 20°C).
- The room must be free of areas with gas concentrations and potentially explosive powders and/or fire hazards.

- The activity may affect the environment and, for this reason, take air emissions, liquid discharges and ground contamination, the use of raw materials, natural resources and waste disposal into account.
- During transport and storage, environmental temperature must be between -25°C and 55°C with a maximum of 70°C as long as exposure is no longer than 24 hours.
- Packaging components must be disposed according to current laws in the country of use.
- When decommissioning and scrapping the appliance, divide all parts according to their features and dispose accordingly. Specifically, electrical and electronic components marked by a specific symbol must be taken to authorised recycling centres or returned to the dealer when purchasing a new appliance.

Electrical and Electronic equipment contain hazardous substances, potentially harmful to health and the environment. Please dispose of them correctly.

GB SAFETY AND INFORMATION SIGNS

Safety signals are affixed to the appliance areas with RESIDUAL RISKS to inform the user of their existence.

The illustrations depict the safety and information signs affixed on the equipment.



- **Electrical shock hazard:** this indicates the need to turn power off (or unplug the power cord) before working on electrical connections.

UNPACKING, HANDLING AND INSTALLATION INSTRUCTIONS

- The appliance is delivered packaged in a specific container and, if necessary, suitably stabilised with shockproof material to ensure its integrity. Packaging may be on a pallet according to appliance features, destination and transport means to facilitate handling. All information required for handling (loading and unloading) in safe conditions is indicated directly on the packaging.
- The package must be handled according to its specifications (weight, dimensions, etc.). For limited dimensions and weights, the package may be handled manually. Otherwise, use a lifting device with suitable capacity. Upon receiving the appliance, make sure all components are integral. In the event of damages or missing parts, contact your local dealer to arrange for future procedures.
- Installation must be performed by expert and authorised personnel who must previously ensure that the electrical mains meet specific current laws, regulations and standards in effect in the country of use.

– Before installing the appliance, make sure the selected site is suitable, sufficiently ventilated and lit, stable and with surrounding areas sufficient for easy cleaning and maintenance. Also make sure the support surface is stable, level and easy to clean to avoid the risk of dirt accumulations and food product contamination.

Personnel authorised to perform electrical connections must make sure the mains grounding system is efficient and that the mains voltage and frequency match the data listed on the appliance identification plate.

For appliances with special features (shape, weight, dimensions, etc.) the information included in this paragraph may not be thorough. Any additional information is listed in the paragraph on "Lifting Procedures" for each single appliance.

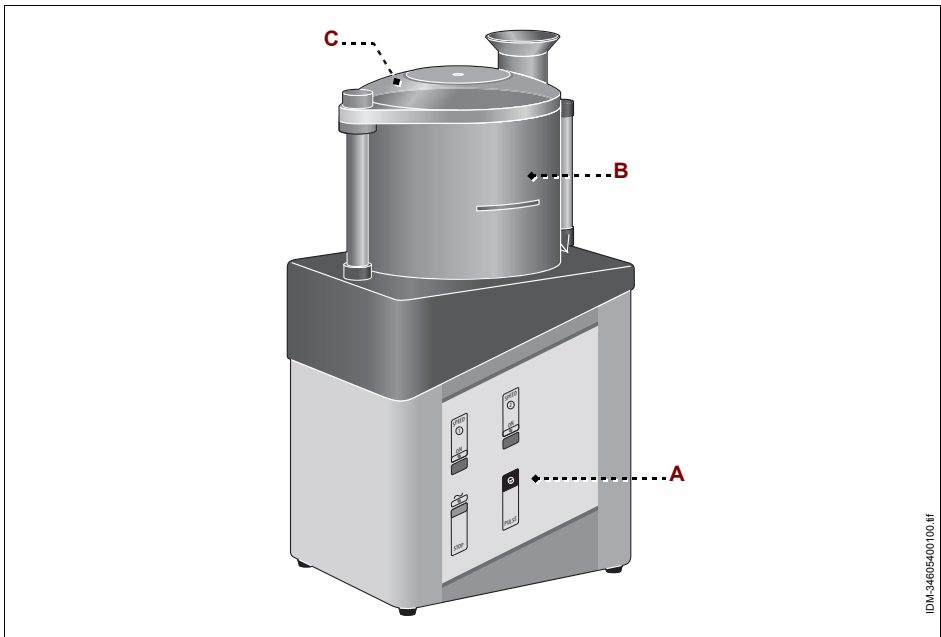
GENERAL APPLIANCE DESCRIPTION

- The cutter CL is an appliance designed and constructed to mince and grind any type of vegetable and homogeneously knead and mix soft dough for human consumption.
- The professional appliance is designed to be installed in catering environments (bars, pizzerias, restaurants, etc.). Special training is not required. However, users should have skills and abilities specific to the catering sector.

Any use other than that indicated by the manufacturer is considered IMPROPER.

- The appliance is constructed with selected materials and appropriate techniques to guarantee maximum hygiene, rust resistance, significant energy savings and operating safety.
 - All appliance parts in contact with food products are made of suitable materials.
- The illustration depicts main appliance parts and the list includes their descriptions and functions.

GB



- A) Control panel:** it is equipped with the control devices needed to operate the appliance (see "Control descriptions").
- B) Basket:** it contains the product to be ground or blended and is associated with an interlock device (micro switch). The appliance will not start if the basket is incorrectly positioned.
- C) Basket cover:** it is associated with an interlock device (micro switch). The appliance stops when the cover is opened.

TECHNICAL SPECIFICATIONS

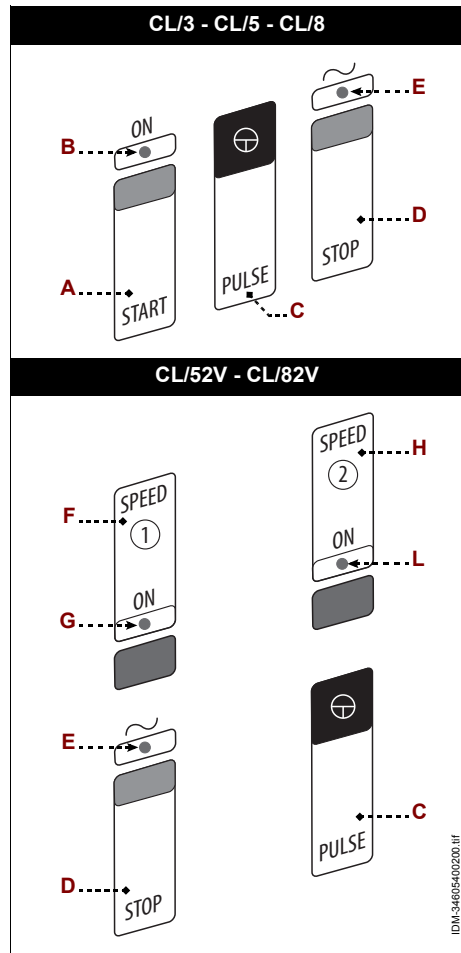
Table 1: Technical appliance specifications

Description	Unit of measure	CL/3	CL/5	CL/8	CL/52V	CL/82V
Power	kW	0,75			0,6 - 0,8	
Power supply	V/Ph/Hz	230V/1N/50Hz - 230-400V/3-3N/50Hz			400V/3N/50Hz	
Basket dimensions	mm	Ø210x105	Ø210x160	Ø210x205	Ø210x160	Ø210x205
Basket capacity	lt	3	5	8	5	8
Tool rotation speed	rpm	1400			1400/2800	
Appliance dimensions	mm	240x310x46 0	240x310x57 0	240x310x62 0	240x310x57 0	240x310x62 0
Packaging dimensions	mm	400x300x670				
Net weight	kg	18	19	19	21	21
Installation type		Counter installation				
Noise level	dB (A)	<70 dB (A)				

CONTROL DESCRIPTIONS

The appliance is equipped with the listed control devices, required to run its main functions.

- A) Pushbutton:** used to turn on the appliance.
- B) Indicator light:** when on, it indicates that the appliance is running.
- C) Button (retentive):** used to turn on the appliance in pulse mode. The appliance stops when released.
- D) Pushbutton used to turn off the appliance.:**
- E) Indicator light:** when on, the appliance is electrically powered.
- F) Button:** used to turn on the appliance at low speed.
- G) Indicator light:** when on, it indicates that the appliance is running at low speed.
- H) Button:** used to turn on the appliance at high speed.
- L) Indicator light:** when on, it indicates that the appliance is running at low speed.



RECOMMENDATIONS FOR USE

- 1 - Insert the basket and the tool suited for the process to be performed.
- 2 - Place products to be processed in the basket.
- 3 - Place the cover on the basket.
- 4 - Press one of the buttons (**A-F-H**) to start the appliance or press button (**C**) to start pulse mode.

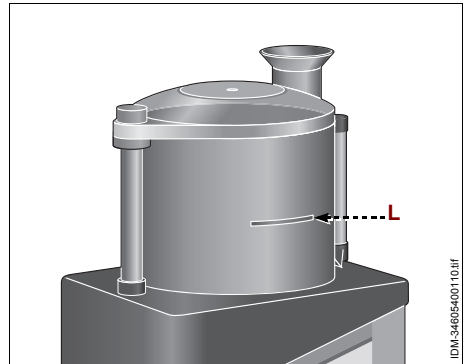
- 5-If necessary, add liquid food products through the aperture in the basket cover.
- 6-Press the button (D) to stop the appliance when food product is of the correct consistency.
- 7-Remove the basket cover.
- 8-Remove the basket and tool.

If it is the first time the appliance is used, remove any protective linings and accurately clean to remove any construction material residue before starting it.



Caution - Precaution

When processing liquid products, never exceed the maximum level indicated by the side notch (L) on the basket.



GB

APPLIANCE CLEANING

Before cleaning the appliance (at the end of the day or when necessary) turn the power off (or unplug the power cord).

- 1-Remove the basket cover , the basket and tool. Accurately clean, rinse and dry them.
- 2-Reassemble the basket , tool and basket cover.
- 3-Accurately clean the work surface and all surrounding areas.
- 4-Clean external appliance surfaces with a damp cloth or sponge.



Caution - Precaution

Only clean with food safe detergents. Never use corrosive or flammable cleaning products or products that contain substances harmful to human health.

For long periods of disuse, after cleaning and turning off appliance power (or unplugging the power cord), adequately cover it to keep it clean.

TROUBLESHOOTING

The purpose of the following information is to help the operator to identify and correct any anomalies or malfunctions that may occur during use.

Some faults may be resolved by the user, others require specific technical skills or abilities and must only be performed by qualified personnel with recognised experience in the specific sector.



Important

Do not remove internal appliance parts.

The manufacturer is not liable for any machine tampering!

Table 2: Operating malfunctions

<i>Problem</i>	<i>Causes</i>	<i>Solutions</i>
The equipment does not start.	Main switch off.	Turn on main switch.
	No mains power.	Contact your dealer or authorised service centre.
	The basket was not correctly inserted.	Check correct basket insertion.
	The basket cover was not correctly closed.	Make sure the cover is correctly closed
The tool rotation direction is incorrect.	Appliance power phase wires are incorrectly connected.	Have an expert technician invert power wires.

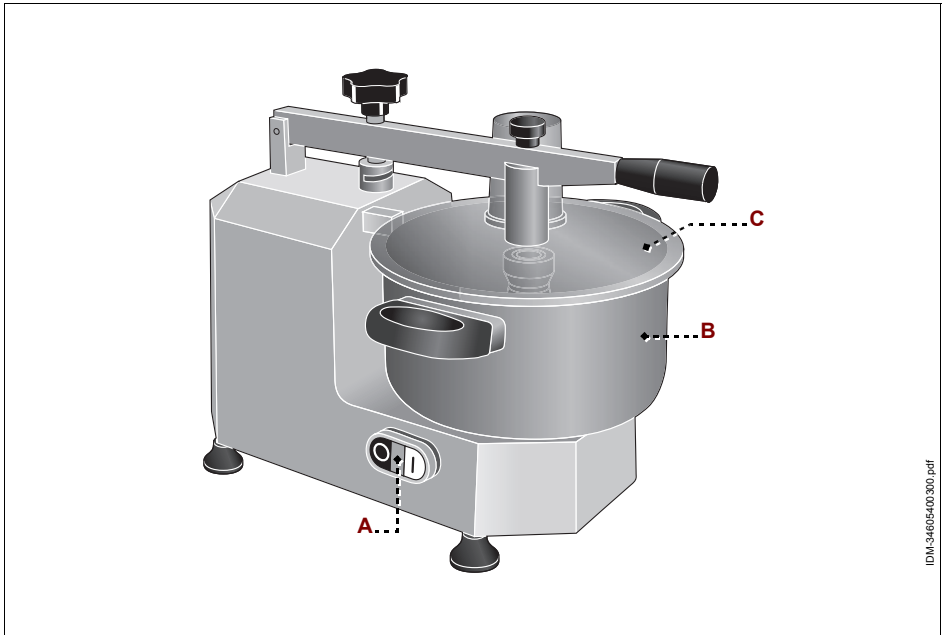
GENERAL APPLIANCE DESCRIPTION

- The cutter BC/3 is an appliance designed and constructed to mince and grind any type of vegetable and homogeneously knead and mix soft dough for human consumption.
- The professional appliance is designed to be installed in catering environments (bars, pizzerias, restaurants, etc.). Special training is not required. However, users should have skills and abilities specific to the catering sector.

Any use other than that indicated by the manufacturer is considered IMPROPER.

- The appliance is constructed with selected materials and appropriate techniques to guarantee maximum hygiene, rust resistance, significant energy savings and operating safety.
 - All appliance parts in contact with food products are made of suitable materials.
- The illustration depicts main appliance parts and the list includes their descriptions and functions.

GB



- A) Control pane:** It is equipped with the control devices needed to operate the appliance (see "Control descriptions").
- B) Basket:** It contains the product to be ground or blended and is associated with an interlock device (micro switch). The appliance will not start if the basket is incorrectly positioned.
- C) Basket cover:** It is associated with an interlock device (micro switch). The appliance stops when the cover is opened.

TECHNICAL SPECIFICATIONS

Table 3: Technical appliance specifications

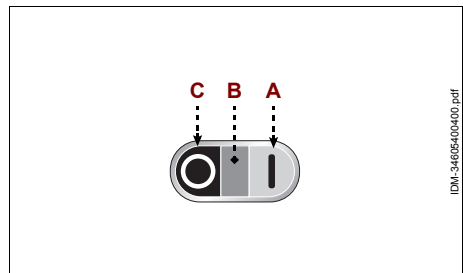
Description	Unit of measure	BC/3N
Power	kW	0,37
Power supply	V/Ph/Hz	230V/1N/50Hz
Basket dimensions	mm	Ø210x105
Basket capacity	lt	3,5
Tool rotation speed	rpm	730
Appliance dimensions	mm	400x320x320 (620)
Packaging dimensions	mm	420x400x340
Net weight	kg	12
Installation type		Counter installation
Noise level	dB (A)	<70 dB (A)

GB

CONTROL DESCRIPTIONS

The appliance is equipped with the listed control devices, required to run its main functions.

- A) Pushbutton:** used to turn on the appliance.
- B) Indicator light:** when on, it indicates that the appliance is running.
- C) Pushbutton:** used to turn off the appliance.



RECOMMENDATIONS FOR USE

- 1 -Insert the basket and the tool suited for the process to be performed.
- 2-Place products to be processed in the basket.
- 3-Close the basket cover.
- 4-Press the button **(A)** to start the appliance.
- 5-If necessary, add liquid food products through the aperture in the basket cover.
- 6-Press the button **(C)** to stop the appliance when food product is of the correct consistency.
- 7-Open the basket cover.
- 8-Remove the basket and tool.

If it is the first time the appliance is used, remove any protective linings and accurately clean to remove any construction material residue before starting it.

APPLIANCE CLEANING

GB

Before cleaning the appliance (at the end of the day or when necessary) turn the power off (or unplug the power cord).

- 1-Remove the basket cover , the basket and tool. Accurately clean, rinse and dry them.
- 2-Reassemble the basket , tool and basket cover.
- 3-Accurately clean the work surface and all surrounding areas.
- 4-Clean external appliance surfaces with a damp cloth or sponge.



Caution - Precaution

Only clean with food safe detergents. Never use corrosive or flammable cleaning products or products that contain substances harmful to human health.

For long periods of disuse, after cleaning and turning off appliance power (or unplugging the power cord), adequately cover it to keep it clean.

TROUBLESHOOTING

The purpose of the following information is to help the operator to identify and correct any anomalies or malfunctions that may occur during use.

Some faults may be resolved by the user, others require specific technical skills or abilities and must only be performed by qualified personnel with recognised experience in the specific sector.



Important

Do not remove internal appliance parts.

The manufacturer is not liable for any machine tampering!

Table 4: Operating malfunctions

<i>Problem</i>	<i>Causes</i>	<i>Solutions</i>
The equipment does not start.	Main switch off.	Turn on main switch.
	No mains power.	Contact your dealer or authorised service centre.
	The basket was not correctly inserted.	Check correct basket insertion.
	The basket cover was not correctly closed.	Make sure the cover is correctly closed
The tool rotation direction is incorrect.	Appliance power phase wires are incorrectly connected.	Have an expert technician invert power wires.



<p>La presenza del bidoncino barrato sulla targhetta dati dell'apparecchiatura indica che essa al termine della propria vita utile dovrà seguire per il suo smaltimento e riciclaggio quanto previsto dalla Direttiva Europea. La Direttiva prevede la raccolta separata delle apparecchiature elettriche ed elettroniche attraverso un sistema di raccolta denominato RAEE. All'atto dell'acquisto di un nuovo apparecchio l'utilizzatore è obbligato a non smaltire l'apparecchio come rifiuto urbano, ma bensì dovrà riconsegnarlo, in ragione di uno contro uno, al rivenditore o distributore. Il rivenditore provvederà al suo smaltimento seguendo le procedure previste dal sistema di raccolta dei RAEE. Nel caso del solo smaltimento dell'apparecchiatura, sul territorio italiano, contattare il produttore, il quale fornirà le informazioni adeguate circa lo smaltimento della macchina presso il centro di raccolta più vicino all'utente. Gli utilizzatori che risiedono al di fuori del territorio italiano dovranno contattare i Ministeri dell'Ambiente del loro Paese, i quali forniranno le informazioni necessarie ad un corretto smaltimento. Il mancato rispetto delle procedure di smaltimento può produrre effetti nocivi a danno dell'ambiente e delle persone. Pertanto lo smaltimento abusivo, totale o parziale, delle apparecchiature, porterà a sanzioni amministrative da parte delle Autorità Competenti nei riguardi delle utenze negligenti o inadempienti.</p>	
<p>The markings illustrated here (barred garbage bin), on the utensil data plate, indicates that at the end of its working life, the utensil must be disposed of and recycled according to European Directive. The Directive provides for the separate collection of electric and electronic equipment by a collection system called RAEE. Upon purchasing a new utensil, the user must not dispose of the utensil as urban waste but must return it, in a one-to-one exchange, to the dealer or distributor. The dealer may dispose of the utensil following the procedures set by the RAEE collection system. In the event the user disposes of the utensil without purchasing a new one, in Italy contact the manufacturer who will provide suitable information on machine disposal at the collection centre closest to the user. Users who do not reside in Italy must contact the Ministry of the Environment in their countries who will provide information necessary for correct disposal. Failure to observe the disposal procedure may cause harmful effects on the environment and people. Therefore, total or partial illicit utensil disposal by users is punishable by local authorities.</p>	<p>La présence de ce symbole, comme ci-dessus (poubelle barrée), sur l'étiquette, indique que l'appareil, au terme de sa durée de vie devra suivre pour son élimination et son recyclage, les indications prévues à ce sujet par les Directives Européennes. La Directive prévoit le ramassage séparé des appareils électriques et électroniques par le biais d'un système de ramassage appelé RAEE. Au moment de l'achat de l'appareil l'utilisateur est obligé à ne pas éliminer l'appareil comme déchets habituels, mais il devra le ramener, en raison d'un échange, au revendeur ou au distributeur. Le revendeur se fera charge de son élimination en suivant les procédures prévues par le système de ramassage. Dans le cas de l'élimination de l'appareil, sur le territoire français, contacter le Ministère de l'Environnement ou le revendeur, ce dernier fournira les informations nécessaires pour l'élimination de l'appareil auprès du centre de ramassage le plus près. Les utilisateurs résidents en dehors du territoire italien devront contacter le Ministère de l'Environnement de leurs Pays, lesquels fourniront les informations nécessaires pour une correcte élimination. Le non respect des normes d'élimination peut avoir des effets nocifs sur l'environnement et sur les personnes. Par conséquent l'élimination abusive, totale ou partielle, des appareils de la part des utilisateurs, donnera lieu à des sanctions de la part des Autorités compétentes.</p>
<p>Wenn das hier dargestellte Symbol (durchgestrichene Abfalltonne) auf dem Typenschild eines Gerätes wiedergegeben ist, bedeutet dies, dass es am Ende seiner Lebensdauer entsprechend der europäischen Richtlinie zu entsorgen und wiederzuverwerten ist. Die Richtlinie sieht eine getrennte Sammlung von Elektro- und Elektronik-Altgeräten entsprechend dem sogenannten WEEE-System vor. Beim Kauf eines neuen Geräts verpflichtet sich der Nutzer, dieses nicht als unsortierten Siedlungsabfall zu entsorgen, sondern dem Händler oder Verteiler im Verhältnis eins zu eins zurückzugeben. Der Händler sorgt für die Entsorgung des Geräts unter Einhaltung der vom WEEE-System vorgesehenen Vorgehensweise. Wenn das Gerät in Italien zu entsorgen ist, den Hersteller direkt kontaktieren. Nutzer außerhalb Italiens erhalten beim Umweltministerium des jeweiligen Landes Aufschluss über die zweckmäßige Entsorgung des Geräts. Die Nicht Einhaltung der Entsorgungsvorschriften kann schädliche Auswirkungen zu Lasten von Mensch und Umwelt mit sich bringen. Deshalb wird die auch nur teilweise unbefugte Entsorgung der Geräte seitens von Nutzern durch die zuständigen Behörden mit Bußen bestraft.</p>	<p>La presencia de los símbolos aquí reproducidos (contenedor de basura tachado), en la placa de datos del aparato, indica al final de su vida útil, éste deberá ser desguazado y reciclado según cuanto previsto por la Directiva Europea. La Directiva prevé la recolección separada de los aparatos eléctricos y electrónicos por medio de un sistema de recolección denominado RAEE. En el momento de la compra de un nuevo aparato el usuario está obligado a no eliminar el aparato como basura urbana, sino que debe entregarlo, como intercambio del nuevo, al revendedor o distribuidor. El revendedor se encargará de su desguace siguiendo los procedimientos previstos por el sistema de recolección de los RAEE. En caso de tratarse de desguace, exclusivamente en el territorio italiano, contactar el productor, el cual le dará la información adecuada sobre la eliminación de la máquina en el centro de recolección más cercano al usuario. Los usuarios que residen fuera del territorio italiano deberán contactar los Ministerios del Medio ambiente de su país, los cuales suministrarán la información necesaria para una eliminación correcta. El no respeto de los procedimientos de eliminación puede provocar efectos nocivos que dañan el medioambiente y las personas. Por lo tanto la eliminación clandestina, total o parcial, de los aparatos por parte de los usuarios, implicará sanciones por parte de las Autoridades Competentes.</p>
<p>A presença dos símbolos indicados (contentor do lixo barrado) na chapa de dados do aparelho, significa que ao fim da própria vida útil a desactivação e reciclagem deverão ser feitas conforme as prescrições contidas na Directiva Europeia. A Directiva prevê a recolha separada das aparelhagens eléctricas e electrónicas através de um sistema de recolha denominado RAEE. No momento da compra de um novo aparelho, o utilizador é obrigado a não eliminar o aparelho como lixo urbano, mas deverá entregá-lo, na razão de um contra um, ao revendedor ou distribuidor. O revendedor ocupará-se da sua eliminação seguindo os processos previstos pelo sistema de recolha dos RAEE. No caso de eliminação do aparelho no território italiano, contacte o produtor, que fornecerá todas as informações necessárias para a eliminação da máquina junto do centro de recolha mais próximo do utilizador. Os utilizadores que residem fora do território italiano deverão contactar os Ministérios do Ambiente do próprio País, que fornecerão as informações necessárias para uma correcta eliminação. A inobservância dos procedimentos de eliminação pode prejudicar o ambiente e as pessoas. Portanto, a eliminação abusiva, total ou parcial, das aparelhagens por parte dos utilizadores, são objecto de coima por parte das Autoridades Competentes.</p>	<p>Наличие данного символа (перечеркнутый мусорный контейнер) на паспортной табличке прибора означает, что по завершению своего срока службы прибор подлежит утилизации и переработке в соответствии с европейской директивой. Директива предусматривает отдельный сбор отработанной электрической и электронной аппаратуры по системе RAEE. В момент приобретения нового прибора пользователь обязуется не утилизировать прибор в качестве бытовых отходов, а сдать его (в соотношении один к одному) продавцу или дистрибьютору. Продавец должен обеспечить утилизацию прибора в соответствии с методами, предусмотренными системой RAEE. В случае утилизации оборудования на территории Италии обратиться к производителю, который предоставит информацию по утилизации прибора в ближайшем к пользователю центре сбора отходов. Пользователи, находящиеся за пределами Италии, должны обратиться в Министерство по охране окружающей среды своей страны для получения информации о порядке утилизации. Несоблюдение методов утилизации может причинить вред окружающей среде и здоровью людей. Ввиду этого, в случае полного или частичного несоблюдения правил в области утилизации оборудования пользователь несет ответственность в соответствии с законом.</p>

<p>CONDIZIONI DI GARANZIA</p> <ul style="list-style-type: none"> - La garanzia ha durata 12 mesi ed è subordinata alla presentazione di una copia di idoneo documento fiscale o fattura comprovante la data di acquisto. - Il prodotto è garantito contro vizi e difetti dei materiali, di fabbricazione e assemblaggio per 12 mesi dalla data della fattura di acquisto. La garanzia consiste nella sostituzione o riparazione delle parti componenti il prodotto che risultino difettose. Essa non comprende in alcun caso la sostituzione del prodotto o seguito di intervento per guasto. - La garanzia è quindi limitata alla sostituzione o riparazione gratuita delle parti che, a giudizio del costruttore, siano risultate mal funzionanti. Non rientrano in essa i materiali di consumo e gli utensili. - Le prestazioni in garanzia saranno rese dal rivenditore presso cui è stato effettuato l'acquisto del prodotto, oppure in alternativa dalla casa costruttrice, restando inteso che il relativo trasporto avrà luogo a cura, spese e rischio del cliente. - La garanzia decade qualora il prodotto sia stato manomesso o riparato da personale non autorizzato. - La presente garanzia sostituisce ed esclude ogni altra garanzia dovuta dal rivenditore per legge o contratto e definisce tutti i diritti del cliente in ordine a vizi e difetti e/o mancanza di qualità in ordine ai prodotti acquistati. - Per ogni eventuale controversia legale è riconosciuto competente il Foro di residenza del costruttore. 	<p>WARRANTY CONDITIONS</p> <ul style="list-style-type: none"> - The warranty has duration of 12 months and is subject to the presentation of a copy of a suitable fiscal document or invoice proving the purchase date. - The product is guaranteed against flaws and defects of the materials, manufacturing and assembly for 12 months from the date of the purchase invoice. The warranty consists in the replacement or repair of defective product components. It does not include the replacement of the product after breakdown repairs for any reason. - Therefore the warranty is limited to the free replacement or repair of parts which, in the manufacturer's opinion, malfunction. Consumable materials and tools are not included. - Warranty services are rendered by the dealer where the product was purchased or, alternately, by the manufacturer, it being understood that the relevant transport will be at the customer's full liability and expense. - The warranty is invalidated if the product was tampered with or repaired by unauthorised personnel. - This warranty substitutes and excludes any other warranty due by the dealer by law or contract and defines all the customer's rights regarding purchased product defects and faults and/or quality deficiencies. - Any legal controversy will be submitted to the manufacturer's Court of residence.
<p>CONDITIONS DE LA GARANTIE</p> <ul style="list-style-type: none"> - La garantie a une durée de 12 mois et elle est subordonnée à la présentation d'une copie du document fiscal approprié de la facture prouvant la date d'achat. - Le produit est garanti contre les vices et défauts de matière première, de fabrication et d'assemblage pendant 12 mois à compter de la date indiquée sur la facture lors de l'achat. La garantie consiste à remplacer ou réparer les parties qui constituent le produit et résultent défectueuses. Elle n'inclut en aucun cas le remplacement du produit suite à une intervention pour panne. - La garantie se limite donc au remplacement ou à la réparation gratuite des parties qui, selon l'évaluation du constructeur, font preuve de dysfonctionnements. Les matériaux de consommation et les outils ne sont pas couverts. - Les prestations sous garantie seront effectuées par le revendeur chez lequel l'achat a été effectué ou, en alternative, par la maison constructrice, restant entendu que le port est pris en charge par le client, ceci incluant l'organisation, les frais et les risques relatifs. - La garantie est annulée en cas d'altération ou de réparation du produit par du personnel non agréé. - La présente garantie remplace et exclut toute autre garantie due par le revendeur en vertu de la loi ou du contrat et définit tous les droits du client en ce qui concerne les vices et les défauts et/ou le manque de qualité en ce qui concerne les produits achetés. - Pour tout litige juridique est reconnue tribunal compétent de la résidence du fabricant. 	<p>GARANTIEBEDINGUNGEN</p> <ul style="list-style-type: none"> - Die Garantiezeit beträgt 12 Monate und hängt von der Vorlage einer Kopie eines geeigneten Steuerdokuments oder einer Rechnung, die das Kaufdatum belegt. - Die Garantie bezieht sich auf Mängel und Fehler in Bezug auf die Materialien, die Herstellung und die Montage und gilt 12 Monate ab dem Rechnungsdatum. Die Garantieleistung besteht in der Auswechslung der fehlerhaften Produktkomponenten. Die Garantie umfasst in keinem Fall die Auswechslung des Produkts infolge eines Eingriffs wegen Defekt. - Die Garantie ist mithin beschränkt auf die kostenlose Auswechslung oder Reparatur der Teile, die nach dem Urteil des Herstellers fehlerhaft arbeiten. Verbrauchsmaterialien und Werkzeuge sind von dieser Garantie nicht abgedeckt. - Die Garantie wird von dem Wiederverkäufer geleistet, bei dem das Produkt gekauft wurde oder als Alternative von der Herstellerfirma. Dabei versteht sich, dass der entsprechende Transport in der Verantwortung sowie auf Kosten und Risiko des Kunden erfolgt. - Die Garantie verfällt, sobald das Produkt von unbefugtem Personal manipuliert oder repariert wird. - Diese Garantie ersetzt und schließt jede weitere vom Wiederverkäufer von Gesetztes oder Vertrags wegen geschuldete Garantie und definiert alle Kundenrechte hinsichtlich Qualitätsfehler oder -mängel an den gekauften Produkten. - Für Rechtsstreitigkeiten erkennt wird zuständigen Gericht des Wohnsitzes des Herstellers.
<p>CONDICIONES DE GARANTIA</p> <ul style="list-style-type: none"> - La garantía tiene una duración de 12 meses y está subordinada a la presentación de una copia de un documento fiscal válido o de una factura que pruebe la fecha de compra. - El producto está garantizado contra vicios y defectos de los materiales, de fabricación y de ensamblaje, por un plazo de 12 meses a partir de la fecha de la factura de compra. La garantía consiste en la sustitución o reparación de las partes componentes del producto que resulten defectuosas. La misma no comprende, en ningún, caso la sustitución del producto posterior a una intervención por avería. - La garantía se limita a la sustitución o reparación gratuita de las partes que, a juicio del fabricante no funcionan correctamente. No entran dentro de la misma los materiales de consumo y los herramientas. - Las prestaciones bajo garantía serán realizadas por el revendedor al que se ha realizado la compra del producto, o bien por la Casa Fabricante, dejando sobreentendido que el transporte, riesgos y gastos quedará a cargo del cliente. - La garantía caduca si el producto ha sido forzado o reparado por personal no autorizado. - La presente garantía sustituye y excluye cualquier otra garantía debida por el revendedor por ley o contrato y define todos los derechos del cliente con respecto a las imperfecciones, defectos y/o faltantes en cantidad del pedido de los productos comprados. - Para cualquier controversia jurídica es reconocida Tribunal competente de residencia de los fabricantes. 	<p>CONDIÇÕES DE GARANTIA</p> <ul style="list-style-type: none"> - A garantia tem a duração de 12 meses e está subordinada à apresentação de uma cópia de idoneo documento fiscal ou fattura comprovante da data de compra. - O produto está garantido contra vícios e defeito dos materiais, de fabricação e montagem ou por 12 meses da data da factura de compra. A garantia consiste na substituição ou reparação das partes que constituem o produto que resultem defeituosas. A garantia não prevê a substituição do produto devido a intervenção por avaria. - A garantia limita-se, portanto, à substituição ou reparação gratuita das partes que, a juízo do construtor, não funcionem bem. Não reentram na mesma os consumíveis e os utensílios. - As prestações sob garantia serão de competência do revendedor no qual foi efectuada a compra do produto ou, em alternativa, pela firma construtora, ficando assente que o relativo transporte, despesas e riscos são a cargo do cliente. - A garantia decae se o produto for alterado ou reparado por pessoal não autorizado. - A presente garantia substitui e exclui qualquer outra garantia devida pelo revendedor por lei ou por contrato e define todos os direitos do cliente em relação a vícios e defeitos e/ou falta de qualidade relativamente aos produtos comprados. - Para qualquer litígio jurídico é reconhecida Tribunal competente da residência do fabricante.
<p>УСЛОВИЯ ГАРАНТИИ</p> <ul style="list-style-type: none"> - Настоящая гарантия действительна в течение 12 месяцев и обусловлена предъявлением настоящего сертификата вместе с соответствующим документом о покупке или фактурой, подтверждающей дату покупки. - На изделие предоставляется гарантия против изъянов и дефектов материалов, изготовления и сборки в течение срока, указанного в настоящем сертификате. Гарантия заключается в проведении замены или ремонта дефективных частей, составляющих изделие. Гарантия не включает в себя замену изделия в результате ремонта вследствие поломки. - В таком образом, гарантия ограничивается бесplatным проведением замены или ремонта частей, которые по усмотрению производителя считаются неисправными. Гарантия не распространяется на расходные материалы и инструменты. - Гарантийные услуги оказываются дилером, у которого была совершена покупка, или, в качестве альтернативы, фирмой-производителем, причем подразумевается, что транспортировка организуется и выполняется за счет клиента и под его ответственностью. - Гарантия утрачивается в случае неправильного обращения с изделием или ремонта, проведенного неуполномоченным персоналом. 	<p>GARANTIVILLKOR</p> <ul style="list-style-type: none"> - Garantin varar i 12 månader och gäller på villkor att kunden kan visa upp ett kvitto eller faktura som bevis på inköpsdatum. - Produkten garanteras mot eventuella fel och defekter i materialet, fabrikeringsfel och monteringsfel i 12 månader från inköpsdatum. Garantin består i byte eller reparation av delarna som produkten består av och som eventuellt är defekta. Den täcker aldrig byte av produkten eller eventuella försök till reparationer. - Garantin är således tillräckligt ersättning eller gratis reparation av delarna som fungerar dåligt, enligt bevisningen. Detta gäller inte förbrukningsartiklar och verktyg. - Garantiprestationerna ska ges av återförsäljaren som såll produkten till kunden, eller av tillverkaren, förutsatt att kunden står för transportkostnaderna och eventuella risker. - Garantin förfaller om produkten manipuleras eller repareras av personal som inte är auktoriserad för detta. - Denna garanti ersätter och utesluter varar annan garanti från återförsäljaren, enligt lag eller kontrakt, och anger alla kunders rättigheter vad gäller fel och defekter och/eller avsaknad av kvalitet i de produkter som inhandlats. - För varje tvist är erkänd behörighet domstol där tillverkaren.
<p>ЮТІЛЛАСИ ФЕЛТІЛЕК</p> <ul style="list-style-type: none"> - А јоталлас јідортана 12 hónap. А јоталлас а васіларнас најарјат ігазолу száма vagy blokk (annak másolatának) felmutatása ellenében vetett igénybe. - А јоталлас а ангажјиболу, јігајатсі һі, өзсетезерелсі һібабол ередо meghibásodásokra terjed ki, а számlán feltüntetett vásárlás napjától számított 12 hónapig. А јоталлас áll а termék hibás részének cseréjéért vagy ezek kijavításábol. Nem foglalja viszont magában а egész termék cseréjét а hiba javítása következtében. - А јоталлас кізаролу а һібас részек djmteses javítására, eszerejére korlátozott, amik а gyártó elhárításábolján részben vagy egyáltalán nem мілдөк. Nem érvényes anyagkópirás es felszélsekre. - А јоталлас беллсі јолгајатласа а еладо végé, ahol történt а termék vásárlása, vagy pedig kívánásg szerint а gyártó cég, de ebben аз esetben аз ару szállítási költsége es biztonságá, kockázata а vásárló terhé. - А јоталлас érvényсі vetсі һ а termékem nem hozzárтó es nem meghatalmazott személy bármilyen beavatkozás végzét. - Ez а јоталлас meghatározсі kіzar minden más јоталлас amik а gyártó kópirás, vagy szerz өvedсі vagy alapján es lehetett volna а vásárló minden јоталл а vásárlót termékék һібаві, һіаыosságával, mіghéз һібавіszl szemben vevőсіm. - Minden olyan јогevia elismert illetékes bíróság lakóhelye а gyártótol. 	<p>ΟΡΟΙ ΕΥΘΥΝΗΣ</p> <ul style="list-style-type: none"> - Η εγγύηση έχει διάρκεια 12 μήνες και υπόκειται στην προσκόμιση αντιγράφου του κατάλληλου φορολογικού εγγράφου ή τιμολογίου που αναγράφει την ημερομηνία αγοράς. - Το προϊόν είναι εγγυημένο για αβλαβείς και ελαττωματά υλικών, κατασκευής και συναρμολόγησης για 12 μήνες από την ημερομηνία έκδοσης του τιμολογίου. Η εγγύηση καλύπτει την αντικατάσταση ή την επισκευή των μερών του προϊόντος που παρουσιάζονται τα ελαττώματα. Για κανένα λόγο, δεν προβλέπεται την ολική αντικατάσταση του προϊόντος σε περίπτωση τεχνικής επίλυσης επισκευής. - Συνακόπτες, η εγγύηση καλύπτει μόνο τη δωρεάν αντικατάσταση ή επισκευή των μερών του, κατά την κρίση του κατασκευαστή, απόδοσης/όχι παρουσίασής των παρουσιάζουν προβλήματα λειτουργίας. Δεν καλύπτει τα αναλώσιμα υλικά και τα εργαλεία. - Οι υπηρεσίες τεχνικής υποστήριξης που καλύπτονται από την εγγύηση παρέχονται από τον πωλητή του προϊόντος ή, αναλόγως, από την κατασκευαστή εταιρεία. Εννοείται ότι η μεταφορά του προϊόντος (α) γίνεται με οριστική, άμεση και ανάκληση κίνησης του πωλητή. - Η εγγύηση παύει να ισχύει σε περίπτωση που το προϊόν περιβλεπεται ή επισκευάζεται από μη εξουσιοδοτημένους τεχνικούς. - Η παρούσα εγγύηση αντικαθίσταται και αποκρούεται όλες οι προηγούμενες εγγυήσεις που ενδέχονται παρέχει ο πωλητής, με βάση το νόμο ή κάποιο συμβόλαιο, και καθυστερεί όλα τα δικαιώματα του πελάτη όσον αφορά τα ελαττώματα καλή ή βλάβη αναμειγμένη ποιότητας του προϊόντος που αποκτήθηκαν. - Για κάθε νομική διαφορά αναγνωρίζεται αρμόδιο δικαστήριο της κατοικίας του κατασκευαστή.