

**81L - 102L**



**500381 - 500383**

Bartscher GmbH  
Franz-Kleine-Str. 28  
D-33154 Salzkotten  
Germany

Phone: +49 5258 971-0  
Fax: +49 5258 971-120  
**Service hotline:** +49 5258 971-197  
[www.bartscher.com](http://www.bartscher.com)



Version: 1.0

Date of preparation: 2024-01-26

**Original instruction manual**

## Technical Data

<b>Name:</b>	<b>Storage container trolley 81L</b>
Art. No.:	<b>500381</b>
Material:	Polypropylene, Polycarbonate
Volume, in litres	81
Load capacity, in kg:	77
Dimensions (W x D x H), in mm:	330 x 750 x 740
Weight, in kg:	9,6

We reserve the right to implement technical modifications.

<b>Name:</b>	<b>Storage container trolley 102L</b>
Art. No.:	<b>500383</b>
Material:	Polypropylene, Polycarbonate
Volume, in litres	102
Load capacity, in kg:	103
Dimensions (W x D x H), in mm:	400 x 750 x 735
Weight, in kg:	10,8

We reserve the right to implement technical modifications.

## Version / Characteristics 500381-500383

- Suitable for contact with food
- **Not** suitable for washing in dishwashers
- 2 fixed castors, 2 swivel castors
- Delivery form: self-assembly set (simple assembly)
- Lid properties:



- sliding lid
- transparent
- detachable



- integrated scoop handle

EN

- The set includes: 1 scoop

## Intended Use

As described below, every use of the appliance for a purpose differing and/or diverging from its intended standard use, is prohibited and considered to be an unintended use.

The following is an intended use:

- Hygienic storage of various cereals as well as spices, rice or pasta.

## Unpacking

1. Unpack the storage container trolley and dispose of packaging materials in accordance with environmental regulations.

### **CAUTION!**

#### **Choking hazard!**

**Prevent children from accessing packaging materials, for instance: plastic bags and EPS elements.**

## Equipment Included

1. Check completeness of delivery according to the list below:

Name	Number
1. Cross slotted screw	16
2. Front fixed castor	2
3. Rear swivel castor	2
4. Storage container	1
5. Lid	1
6. Sliding lid	1
7. Scoop	1

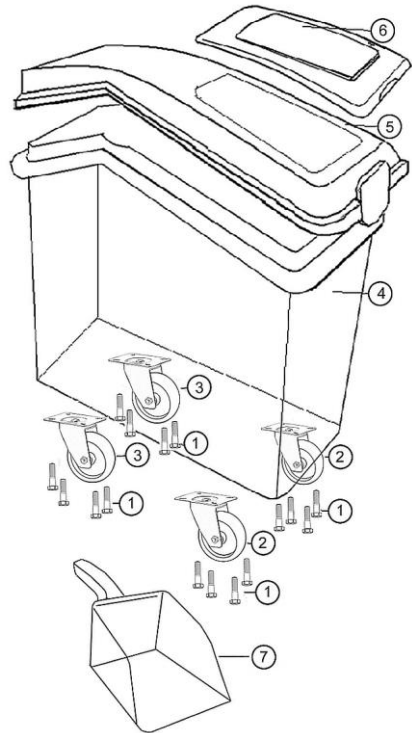


Fig. 1

EN

## Assembly

1. Rotate the storage container upside down to fix the castors (swivel castors) to the underside.

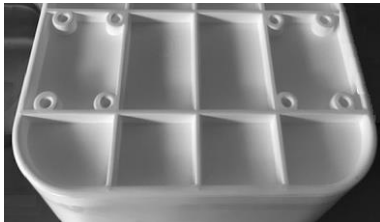


Fig. 2

1. Screw the perforated plates of the two fixed castors (2, Fig. 1) to the components at the front of the storage container underside (Fig. 2) each time using four cross slotted screws (1).

2. Screw the perforated plates of the two swivel castors (3) to the intended components at the rear of the storage container underside (Fig. 2) in each case using four cross slotted screws (1).
3. Place the storage container trolley on the castors (swivel castors).
4. Place the lid (5) on the storage container (4).
5. Fix the transparent sliding lid in the cover guides.
6. Hook the enclosed scoop onto the handle on the lid.

## Indications for User

- Store only suitable food products in the storage container trolley.
- Pay attention to expiry dates of food products stored in the storage container trolley.
- Close the transparent sliding lid of the storage container trolley after taking out food products.  
The transparent sliding lid allows a quick overview of dry goods in the storage container.
- Use the supplied scoop to retrieve food products.

EN

## Care and Cleaning Instructions

1. Clean the storage container trolley before first use and clean it regularly before each new filling.
2. Clean storage container thoroughly with warm water, a soft cloth or a sponge and a mild cleaning agent.
3. Rinse the storage container thoroughly on the inside with clean water to remove any remaining cleaning agent.
4. Wipe the exterior of the storage container with a soft, damp cloth.
5. Dry the storage container thoroughly with a lint-free cloth or, before refilling, allow it to air dry completely.