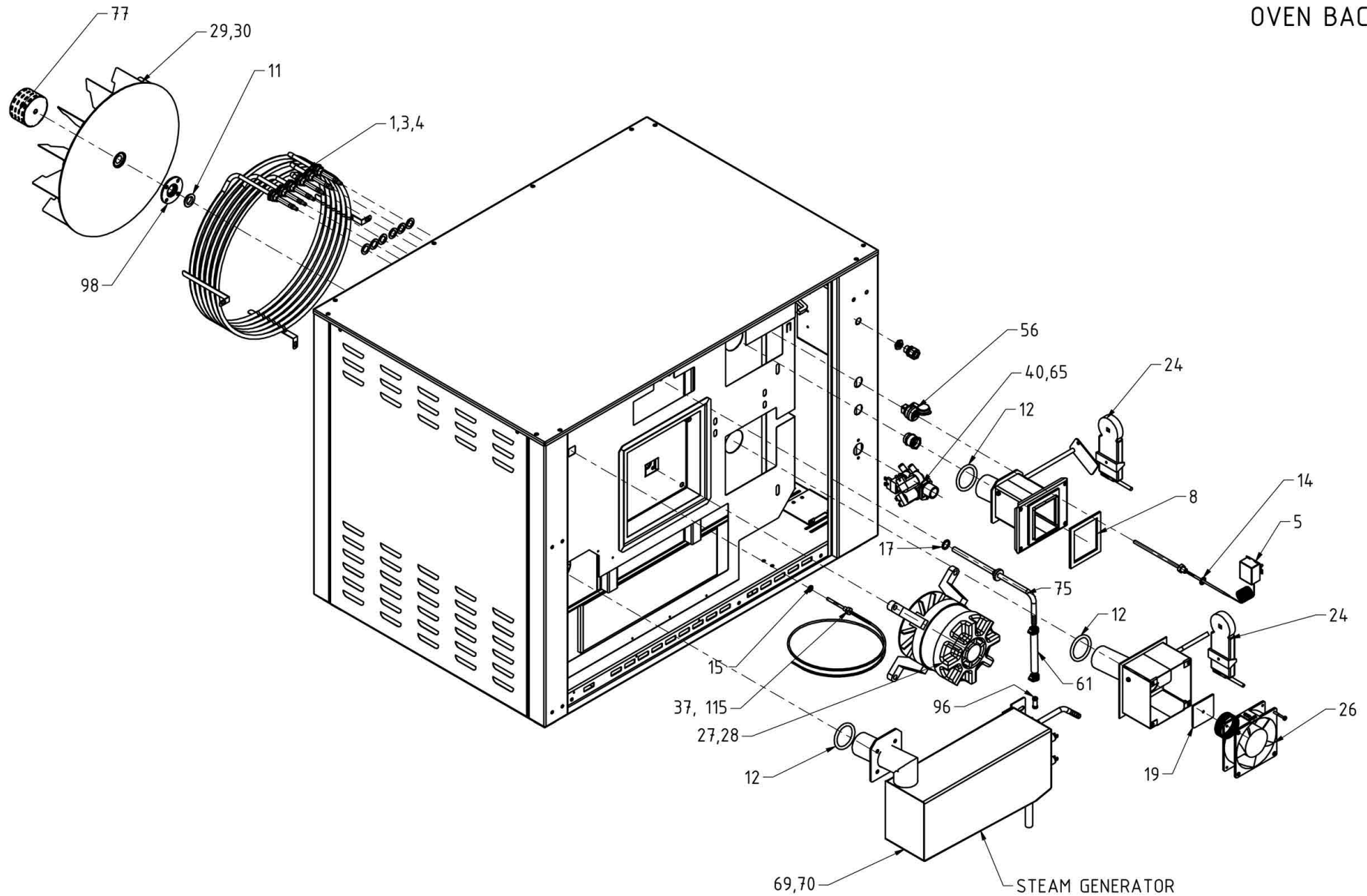
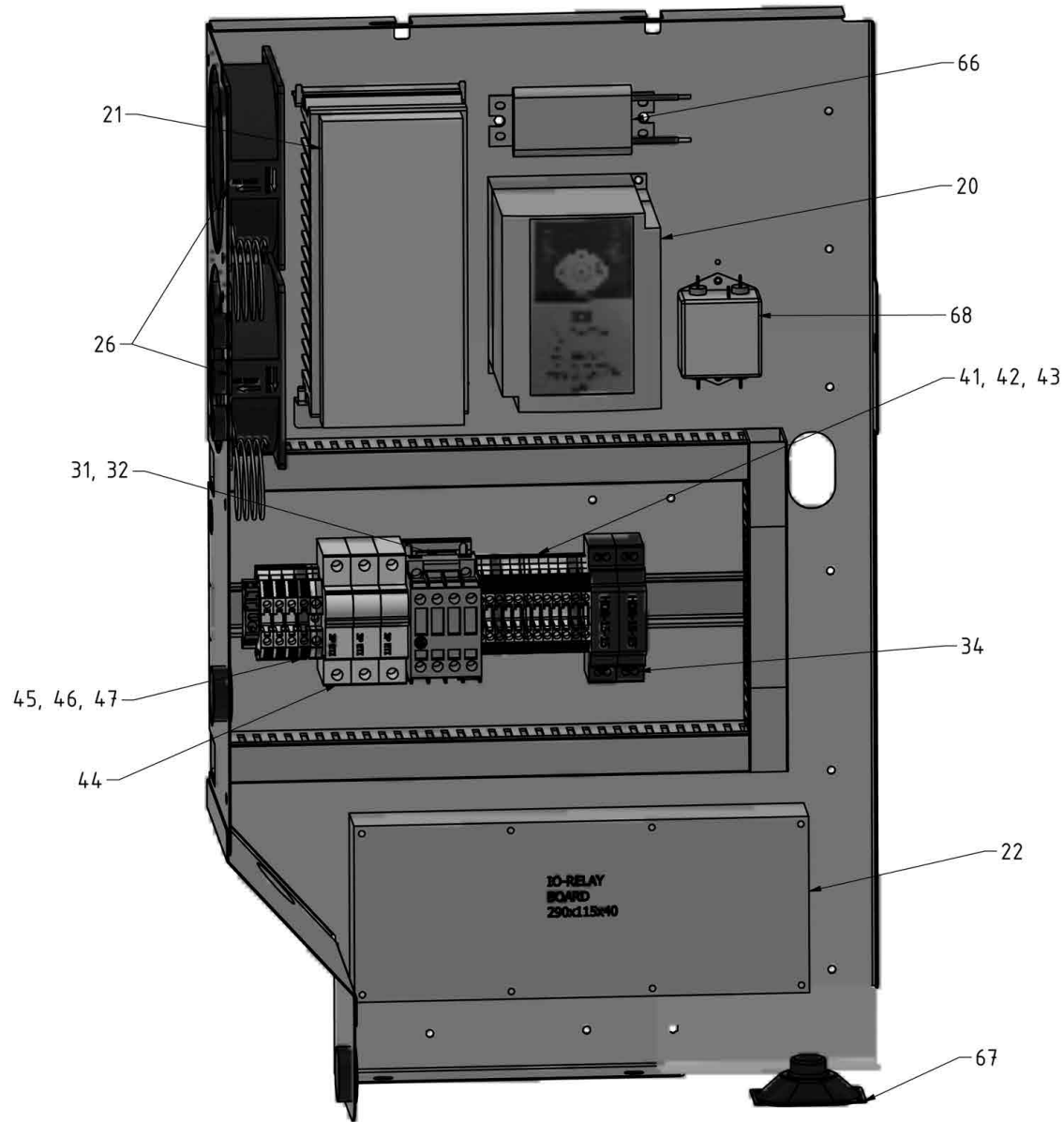


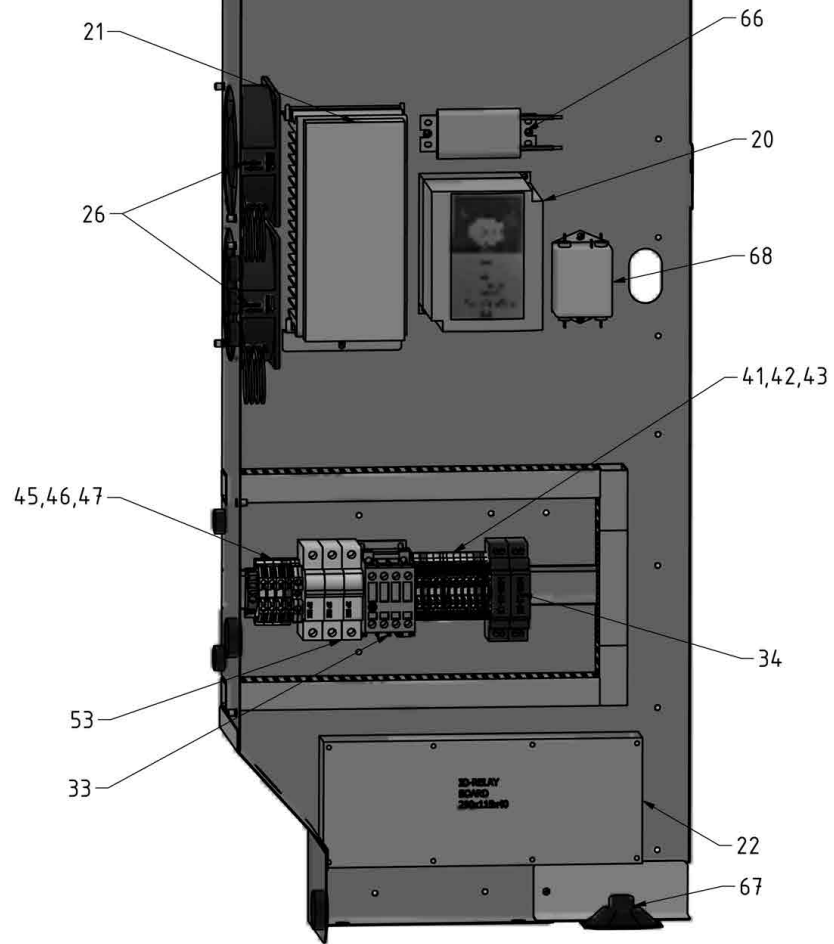
OVEN BACK VIEW



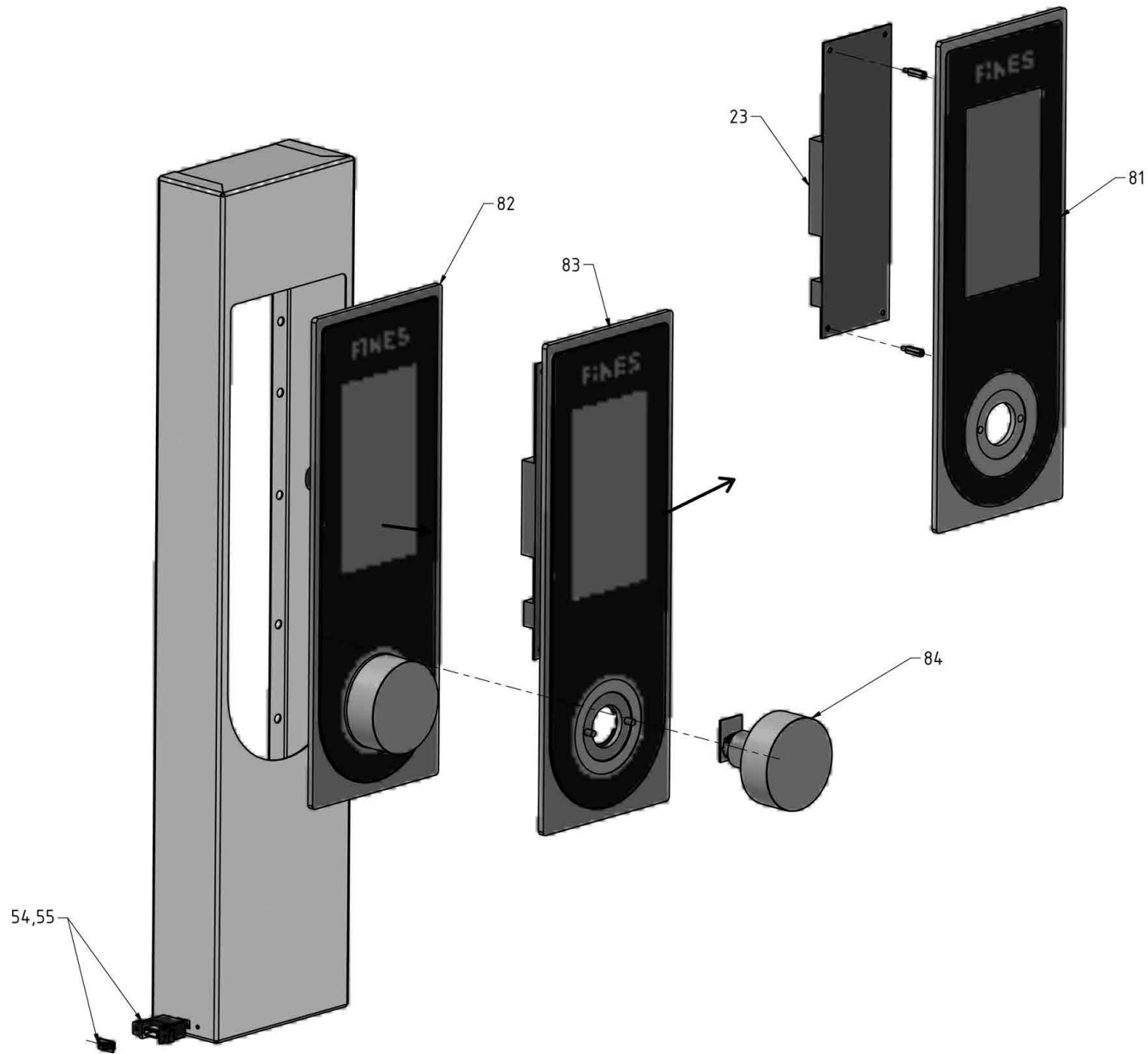
ELECTRIC PLATE HTB5, HTB8



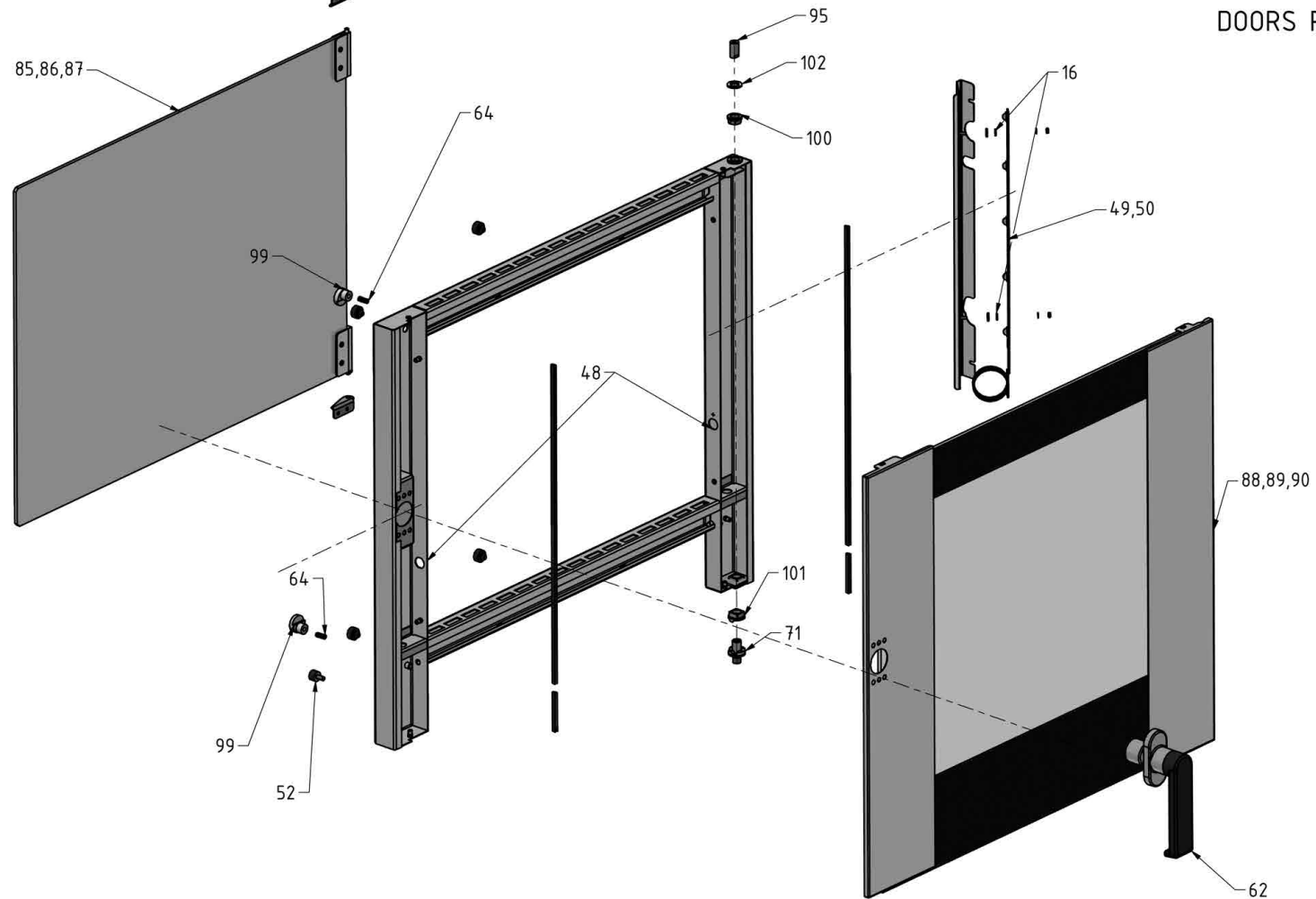
ELECTRIC PLATE HTB10



CONTROL PANEL

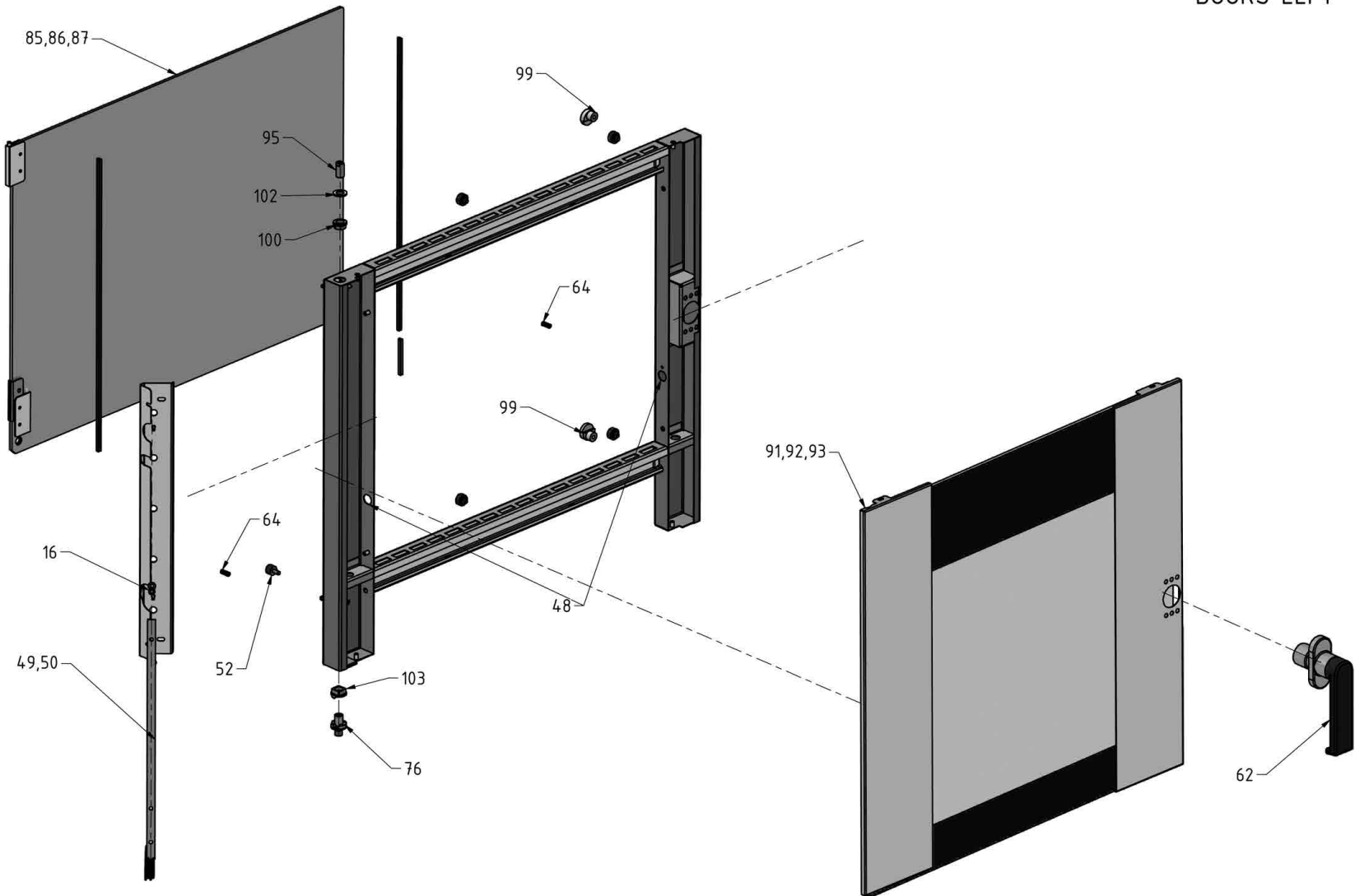


DOORS RIGHT



NOTE:

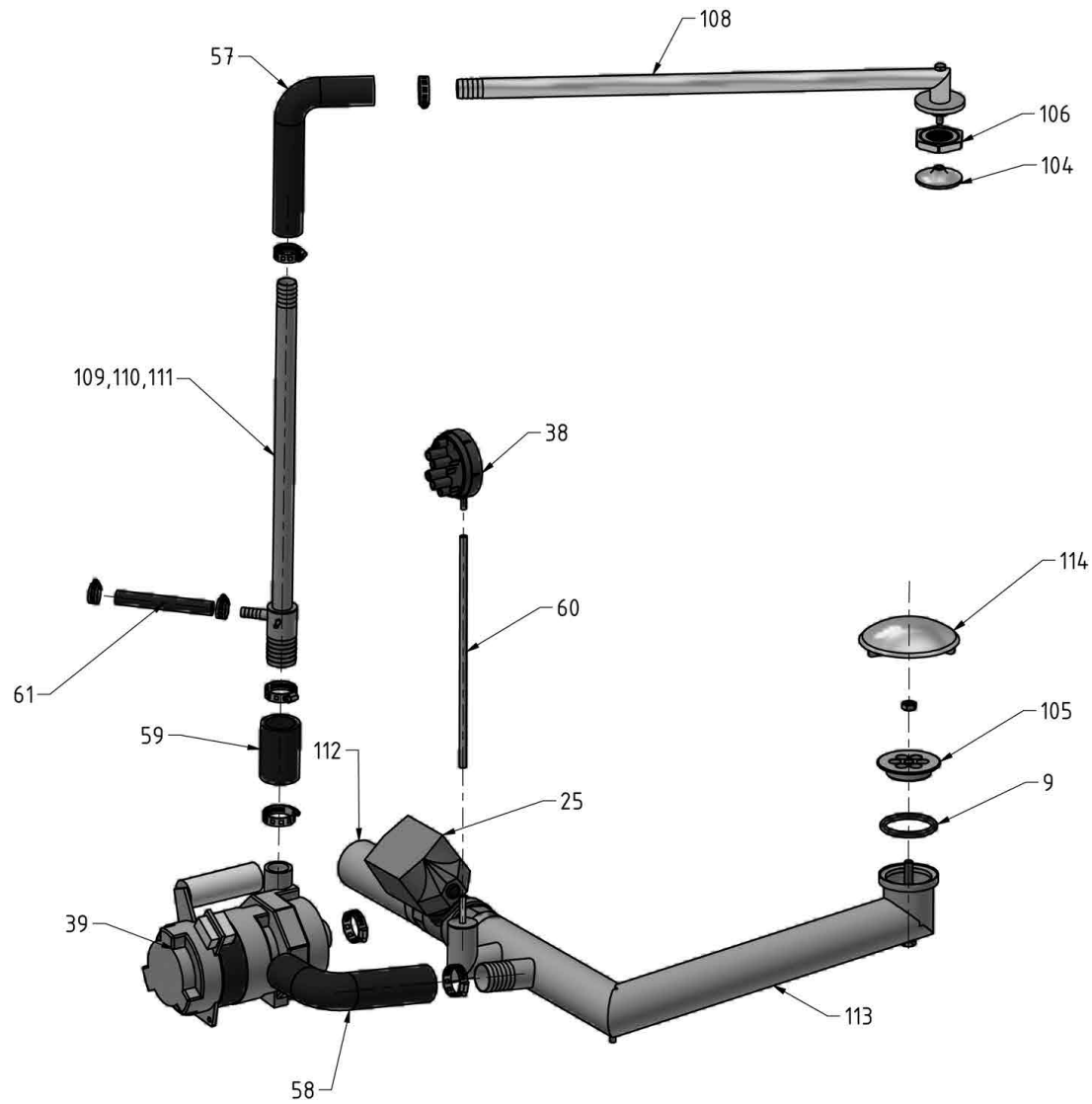
Position 101 needs to be cut out of the door
in case of replacement.



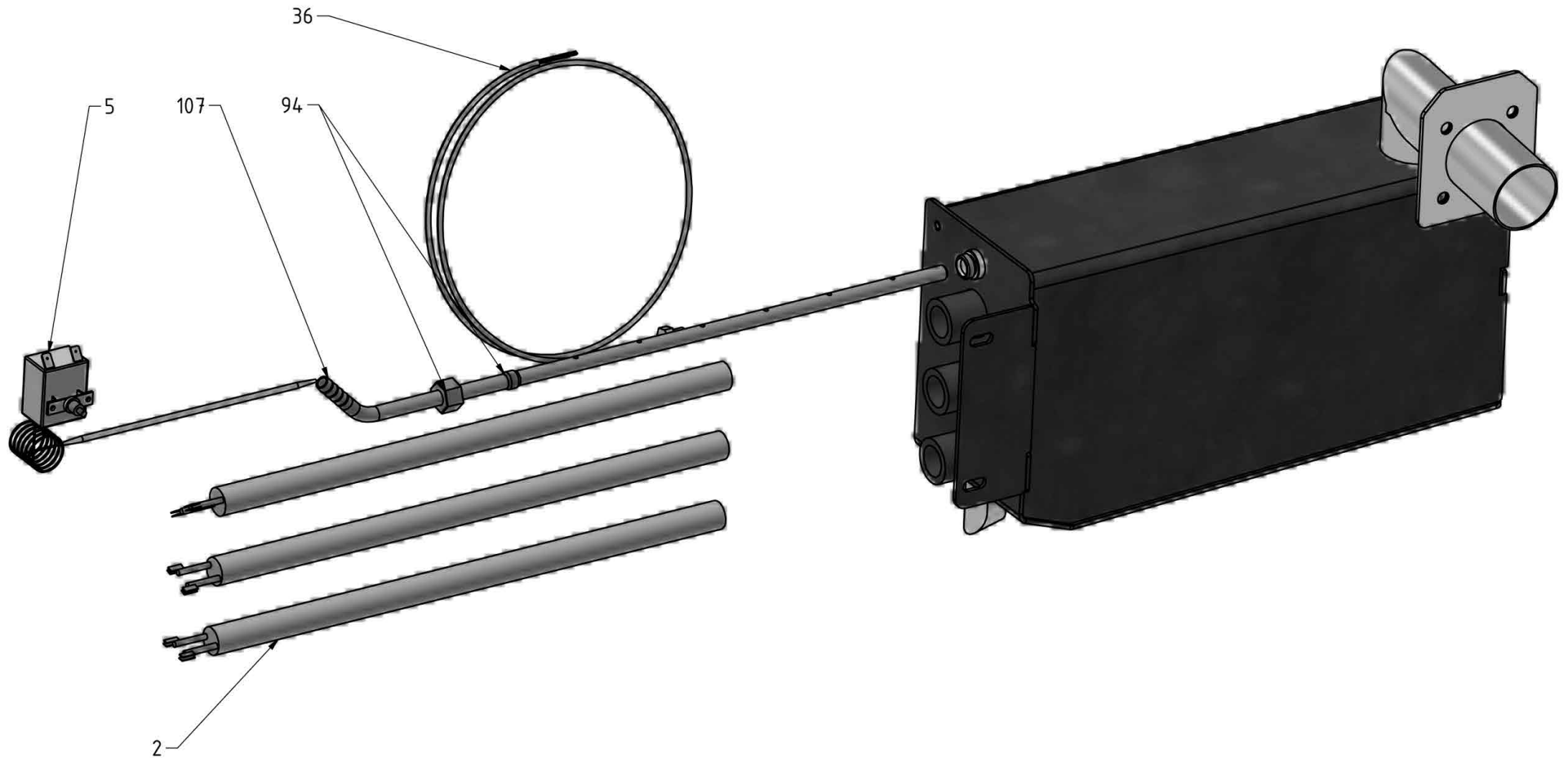
NOTE:

Position 103 needs to be cut out of the door
in case of replacement.

CLEANING SYSTEM



STEAM GENERATOR



Pos.	Artikelbeschreibung	Description of item	Artikel Nr./Item No.
004	Heizgerät, 11000W, 4,0+4,0+3,0kW	Heater, 11000W, 4,0+4,0+3,0kW	E0110017
002	Heizgerät, 230V,950W	Heater GVK fi20x400,230V,950W	E0110039
005	Sicherheitsthermostat 315 C	Safety thermostat 315 C	E0210008
006	Dichtung	Door gasket OC-B-05	E0306060
008	Dichtung	Gasket for chimney 100x88	E0307036
009	Waschmaschinenabfluß Viton fi46xfi6	Washer drain viton fi46xfi6	E0310009
011	Dichtung	Axis sealing HTB, Fi-17x24/30x4,14 D77	E0310012
012	Dichtung	Sealing o-ring fi50x6	E0310016
014	Thermosicherungsichtung fi10xfi14	Thermal fuse sealing OC fi10xfi14	E0310020
015	Dichtung	Probe sealing OC fi8xfi14	E0310021
016	Dichtung	Sealing fi5xfi10	E0310022
017	Dichtung	Sealing o-ring fi15x3 OC-B	E0310023
019	Dichtung	Gasket - SILICONE foam 3mm	E0320014
020	Steuergerät Vector 0,8kW, 230V	Controller Vector 0,8kW, 230V	E0410012
021	Steuergerät Platine	Controller HTB - TRIAC board	E0410020
022	Steuergerät Platine II	Controller HTB - IO board II	E0410028
025	Motorantrieb Ablasskugelhahn 1 1/4	Motor drive drain ball valve 1 1/4	E0510016
026	Lüfter	Fan,120x120x38_230V	E0510022
027	Motor L7_EB60	Motor L7_EB60	E0510023
030	Lüfter	Fan 1.0 VRTK350-082-06	E0610008
031	Schütz CL03 12kW	Contactore CL03 12kW	E0700002
034	Transformator, MW HDR-15-15	Transformer, power supply	E0910010
036	Temp.fühler (400 C), L=1,35m	Temp.probe (400 C), L=1,35m	E01010005
037	Temp.fühler (260 C), L=1,7 m	Temp.probe (260 C), L=1,7 m	E01010006
038	Wasserstandssensor (2 Stufen)	Water level sensor (2 levels)	E01110006
039	Reinig.pumpe 0,28kW; 2800/min; 230V	Clean. pump 0,28kW; 2800/min; 230V	E01110007
040	EV - Trippel gerade 3/4"	EV - tripple straight 3/4"	E01110009
051	Türschalter, MS 362A-01	Door switch, MS 362A-01	E01605044
044	Stromkreisbremse G103C10, 10A3P	Circuit braker G103C10, 10A3P	E01810021
062	Türhaken HRS 6333 schwarz	Door hook HRS 6333 black	E02310022
063	Türkupplung 6303 rechts doppelt	Door clutch 6303 right double	E02310021
085	Glas innen Montage	Glass inside assembly OC-B-05	E09930101604
088	Glas-Außeneinheit rechts	Glass outside assembly right	E09930101605
082	Elektronische Steuerung - Baugruppe	Electronic controller S-Control+	E09910102

