



ICE MAKERS

EISWÜRFELBEREITER
Q-SERIE (Kegelform)

FABBRICATORE DI
GHIACCIO A CUBETTI

MACHINE À GLACE
EN CUBES

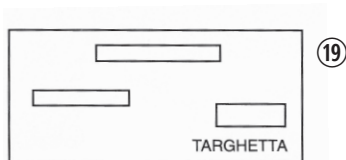
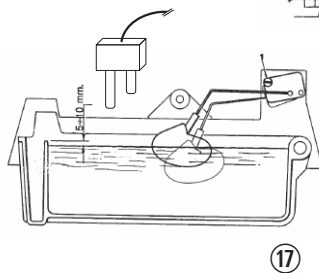
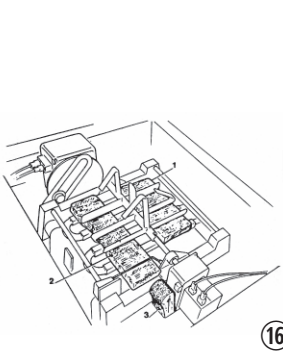
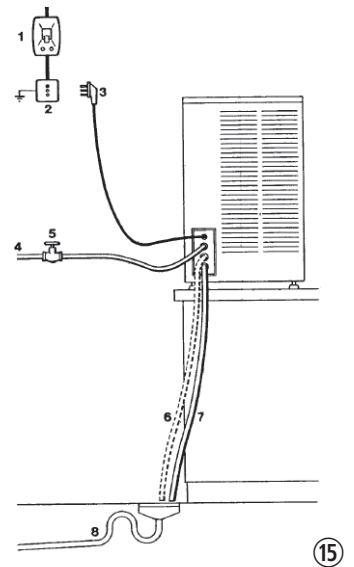
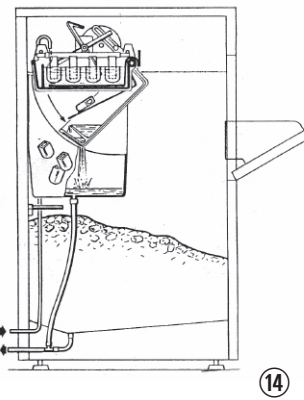
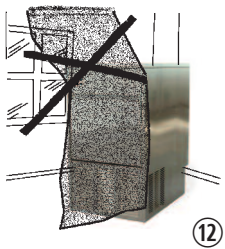
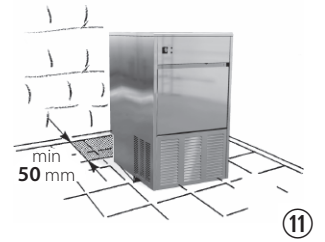
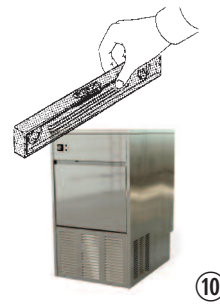
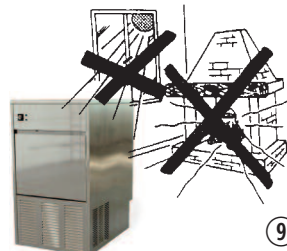
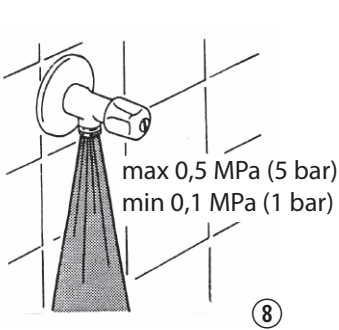
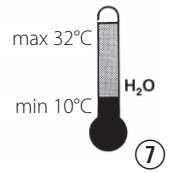
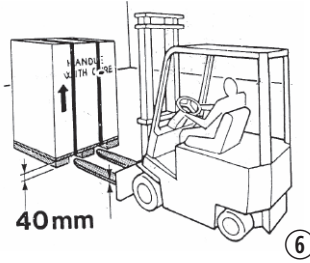
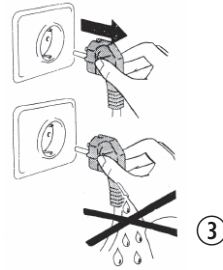
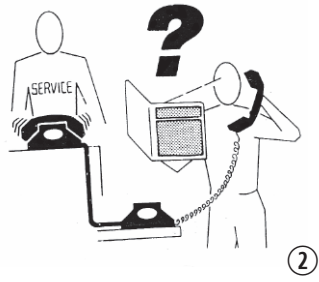
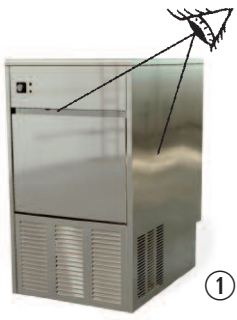
104204 **Q25**

104206 **Q45**

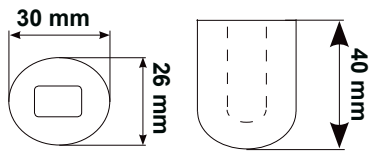
104218 **Q75**

104216 **Q150**

INSTRUCTION MANUAL
BETRIEBSHANDBUCH
LIBRETTO ISTRUZIONE
MANUEL DE ISTRUCTION

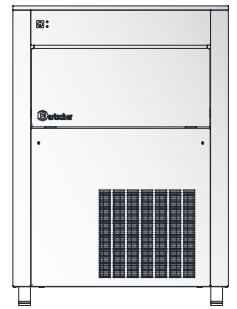


Q Series - Kegeleis



17 g

MODELL	Q 25	Q 45	Q 75	Q 150
--------	------	------	------	-------



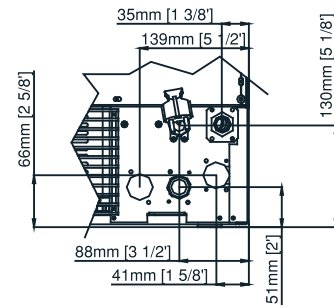
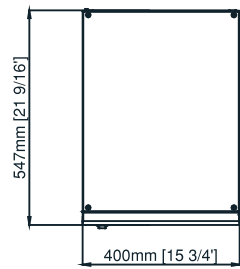
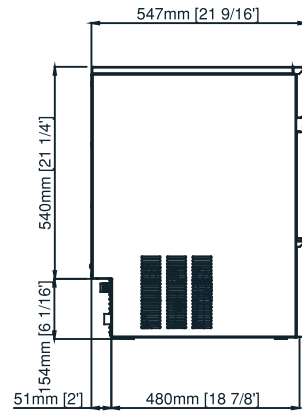
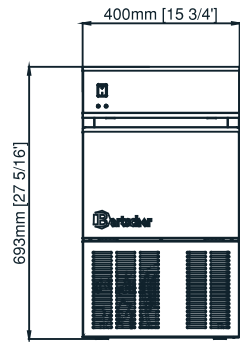
Eiswürfel Programm	15	35	60	90
Eisproduktion (10°C / 10°C)	25 kg	45 kg	75 kg	150 kg
Eisproduktion (21°C / 15°C)	20 kg	38 kg	66 kg	135 kg

Abmessungen

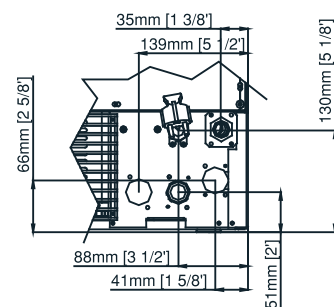
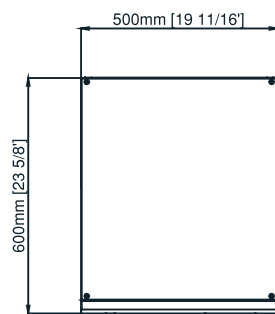
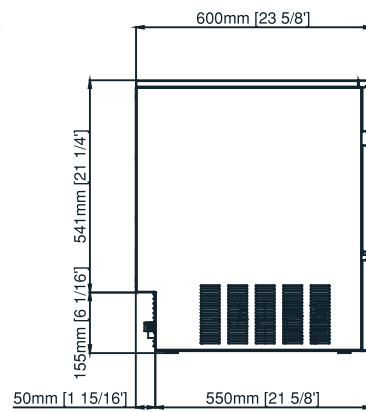
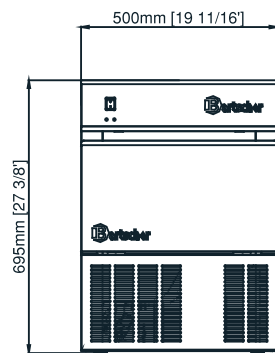
Externe Breite	400 mm	500 mm	700 mm	920 mm
Externe Höhe mit Füße(ohne Füße)	(690) mm	(693) mm	956 mm	1279 mm
Tiefe	545 mm	600 mm	585 mm	650 mm
Vorratsbehälter	10 kg	16 kg	36 kg	67 kg
Netto Gewicht / Brutto	33 kg / 39 kg	41 kg / 48 kg	55 kg / 63 kg	100 kg / 116 kg
W Anschlusswert	265 W	370 W	620 W	990 W
Kältemittel	R134a	R134a	R134a	R134a

Abmessungen

Q 25

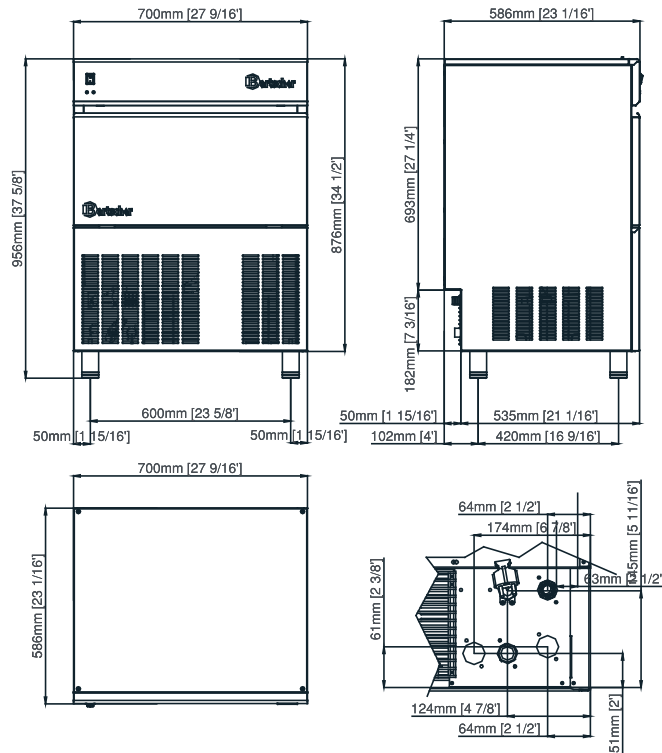


Q 45

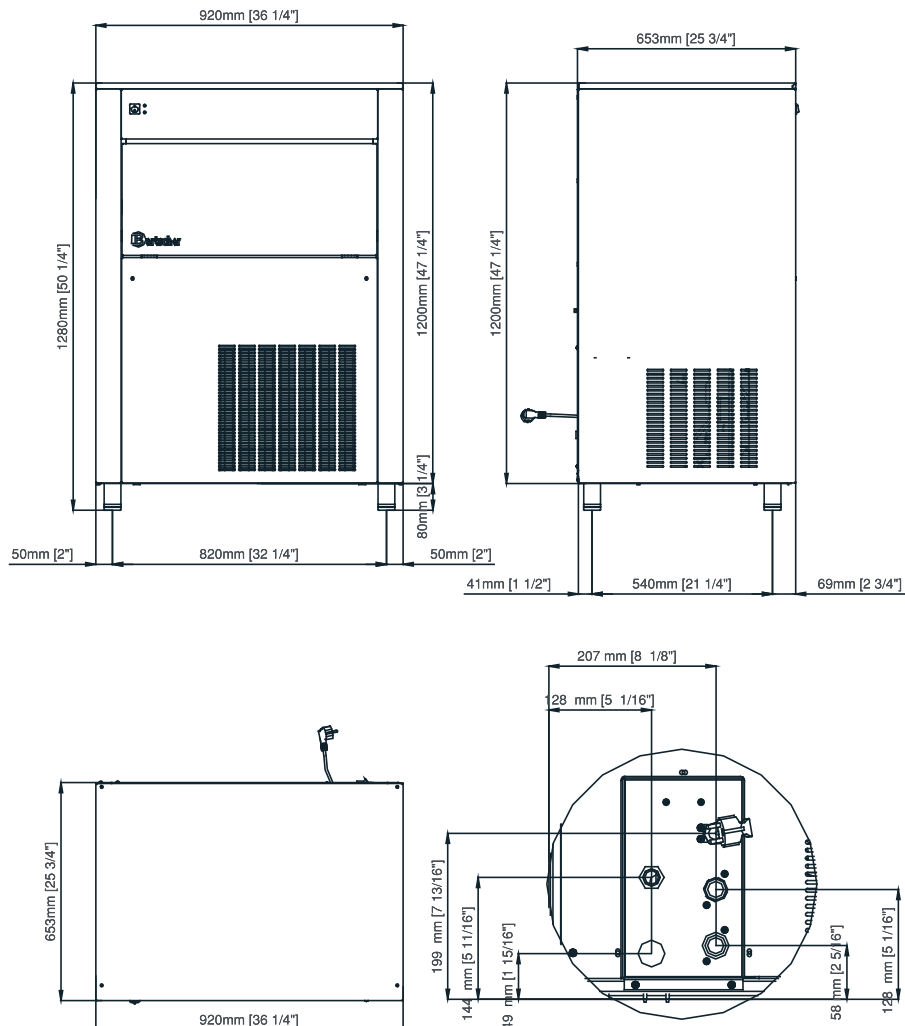


Abmessungen

Q 75



Q 150



WARNING



THE FOLLOWING OPERATIONS AND THOSE HIGHLIGHTED BY THE SYMBOL AT THE SIDE ARE STRICTLY FORBIDDEN FOR WHOEVER USES THE MACHINE SUCH OPERATIONS MUST BE PERFORMED EXCLUSIVELY BY QUALIFIED PERSONNEL

Especially:

- electrical connections
- water connections
- machine installation
- machine testing
- repairing machine components and parts
- disassembling the machine and/or its components
- adjustments and settings
- machine cleaning and maintenance relative to the following parts and components:
 - electrical
 - electronic
 - mechanical
 - cooling



THE TEXT WITH THIS SYMBOL IS OF MORE IMPORTANTE OR POTENTIAL DANGER SIGNALS



NOTE clarifies the ongoing operations

INDICE

Description	Pag.
1. INSTALLATION	8
1.1 CONNECTING THE APPLIANCE TO THE MAINS	8
2. ACTIVATING THE MACHINE	9
3. OPERATION	9
3.1 ALARM SIGNALS FOR AIR / WATER MODELS	9
4. CONTROL PANEL SIGNALS	10
5. OPERATING PROBLEMS	10
6. SERVICE INFORMATION	10
7. CLEANING AND MAINTENANCE	
7.1 CLEANING THE AIR CONDENSER	11
7.2 CLEANING THE WATER INLET FILTER	11
7.3 CLEANING THE CONTAINER	11
8. TECHNICAL SERVICE DATA	
8.1 ELECTRONIC BOARD FUNCTIONS	12
8.2 ELECTRONIC BOARD INPUTS AND OUTPUTS	12
8.3 OPERATION CHARACTERISTICS	12
8.4 FEATURES OF THE GAS REFRIGERATOR PLANT FREON R404a	13
8.5 PROGRAMMED MAINTENANCE WARNING	13
8.6 CONNECTION OF ELECTRICAL CABLES AND COMPONENTS TO THE PC BOARD	14
9. MAINTENANCE	
9.1 PERIODICAL MAINTENANCE AND CLEANING	15
9.2 ICEMAKER CLEANING	15
9.3 PARTS REPLACEMENT PROCEDURES	15
10. WEE	47
11. WIRING DIAGRAM	48

GENERAL INFORMATION

- The ice making machines approved by VDE bear the symbol shown in fig. ⑬ on the packing, the serial number plate and the machine structure.



CE Our products comply with directives 2006/95/ec 2004/108/ec therefore they also bear the marking on the manual cover.

- This appliance is not intended to be used by persons - including children - with reduced physical, sensory or mental capabilities, or with no experience and knowledge, unless they have been instructed on how to use the appliance and are supervised by a person who is responsible for their safety. Children should be supervised to ensure that they do not play with the appliance



Do not start the appliance before the technician intervenes (fig. ④).

1. INSTALLATION

⚠ Implement the following operations before activating the ice maker:

1. Verify that the ice maker has not been damaged during transport (fig. ①).
2. Remove all the material provided from the container: supply pipe, drain pipe, documentation and any accessories.
3. Clean inside the container with a sponge dampened with warm water and a little sodium bicarbonate; rinse with clean water and dry carefully.
4. Place the ice maker in its definite location and ensure that it is perfectly level (fig. ⑩).

⚠ Note: When choosing where to install the appliance, make sure that:

- the room temperature never drops below **10°C (50°F)** and does not exceed **43°C (110°F)**.
- the water temperature must be no less than **10°C (50°F)** and no more than **32°C (90°F)** (fig. ⑦).
- the supply water pressure must be no less than **0,1 MPa (1 bar)** and no more than **0,5 MPa (5 bar)**.
Should the pressure exceed 0,5 MPa, install a pressure reducer on the machine water supply (fig. ⑧).
- d) the machine is away from heat sources and in a well-ventilated area (fig. ⑨).

⚠ Connect only to the drinking water mains

5. Use the new set of mobile junctions (water pipe) supplied with the appliance. The old set of junctions must not be reused.
6. Install the water connections before the electrical connections.
7. Connect the 3/4" supply pipe (supplied) to the machine and to the cold drinking water supply line.
For practical and safety purposes, it is advisable to install a shut-off valve (not supplied by us) (fig. ⑮): 1. switch; 2. socket; 3. electrical plug; 4. water supply; 5. valve; 6. water drain from the condenser: water-cooled version; 7. water drain from the container; 8. water drain with open siphon).
8. Apply the flexible pipe (supplied) with a 20 mm inner diameter and of adequate length (not more than 1 metre from the machine) to the water drain fitting of the machine in order to reach the drain well (fig. ⑮).

⚠ Note: Install the machine in a position that the ventilation of the cooling unit is not obstructed in any way (only for air-cooled machines) (fig. ⑪).

- Do not install the machine in a dusty room as the condenser of the cooling unit can be easily clogged (only for air-cooled machines) (fig. ⑳).
- If the machine is installed in an area where the drinking water has a high content of salt solutions, follow the manufacturer's instructions in order to minimise the problem.
- To prevent the ice from absorbing bad smells and tastes, never store food, bottles, etc. in the container.
- Do not leave the ice container door open during normal operation.

⚠ There must be a differential switch (cut-out) in the electrical system.

1.1. CONNECTING THE APPLIANCE TO THE MAINS

- If the power supply cable is damaged, it must be replaced by qualified personnel to prevent any hazards to persons

2. ACTIVATING THE MACHINE

Implement the following operations before activating the ice maker.

1. look at the pictures:
 - remove the cover by loosening the relative fastening screws.
 - release the gear motor, the blades and the float (where applicable) by removing the factory-set stops 1, 2 and 3, which have been fixed to prevent damage during transport (fig. 16). For the water-cooled models connect also the second fitting to the water outlet, which conveys the water coming from the condenser.


⚠ Note: Implement a minimum inclination of 3% to the pipes for perfect water flow from the appliance, ensuring that these have no narrowing sections and are not siphoned. It is advisable that the pipes drain into an open siphon (fig. 15).

2. Connect the machine to the power supply after having verified that the mains voltage corresponds to that on the serial number plate on the rear panel of the appliance.

⚠ The maximum voltage variation tolerance allowed is $\pm 10\%$ of the rated value.

- Provide a power supply circuit to the machine, with its own bipolar main switch and a minimum of 3 mm contact opening. The machine should also have its own fuse or automatic protection and an earthed plug.
- All must be sized according to the amperage indicated on the serial number plate (fig. 19). The socket must be easily accessible.

3. OPERATION

Simply press the **ON/OFF** button  to start and stop the machine.

- The ice cube makers can be easily adapted to the furnishing of every room.
- The ice cubes are formed around the fingers of the evaporator, inside a tray filled with water and continuously moved by revolving blades.
- The level of the water in the tray is kept constant by a float connected to a microswitch that controls the opening and closing of a water inlet electrovalve of the water supply.
- When the ice cubes reach the required dimensions, they come in contact with the revolving blades that cause the relative gear motor to swing, which stresses a micro switch and simultaneously causes the following through a relay:
 - the delivery of hot gas to the evaporator by an electrovalve opening, which leads to the cubes gradually dropping off the fingers of the evaporator.
 - the tilting of the water tray connected by means of a lever to a gear motor.
- The cubes drop and slide on a slanting grid inside the tray and are conveyed into the container beneath.
- The remaining water in the tray is collected into the relative pan on one side of the container and conveyed towards the drain. The tray automatically returns to its horizontal position after about a minute and fills with water till the pre-set level. In the meantime, the hot gas valve closes and the ice forming cycle proceeds smoothly; a complete cycle can vary from about 15' to about 25' depending on the water and room temperatures.
- The quantity of ice inside the container is controlled by the electronic sensor fixed on one side of the container itself; when the ice cubes reach the level of the bulb, the machine stops completely. After removing enough ice from the container for no cubes to be in contact with the bulb, the appliance will resume its normal production.

⚠ Note: After removing the ice cubes, remove any remaining ice on the control bulb for production to resume quicker.

3.1 ALARM SIGNALS FOR AIR / WATER MODELS

- **Overheating condenser:** the machine restarts automatically once the alarm has been resolved. The cause may be due to: clogged air filter, faulty fan, room temperature too high, no water (only in the water version).
- **Water error:** if there is no water, the machine restarts automatically 60 minutes after the alarm is triggered.

⚠ Note: You can exit from the alarm status after having disconnected / connected the power supply (ON/OFF button).

- **The machine stops when the container is full:** the sensor of the container is controlled by the control board and stops the machine when the ice comes in contact with it. The machine stops at the end of the defrosting cycle.

4. SIGNALS

Function Status	Led 1 Green	Led 2 Red	Notes
Machine ON	ON	OFF	Applicable to all conditions that are not in alarm/error
Bin temperature sensor error	OFF	LL	Temperature sensor out of range. Machine OFF
Condenser temperature sensor error	OFF	LL	Temperature sensor out of range. The machine continuous to run
Error cold cycle too long or defrosting too long	ON	ON	Machine OFF
Condenser overheating error	OFF	ON	Machine OFF
No water error	LL	ON	The signal is triggered after attempting to restart
Maintenance warning	LA	LA	The pre-set number of operating hours has been reached. The machines continuous to run
Wash / clean	LV	LV	Signalled during the wash routine
Start stand-by	LV	OFF	Waits to start after switch-off

LL= flashing slowly
 LV= flashing quickly
 LA= alternate flashing
 ON = steady light

5. OPERATING PROBLEMS

- **If the condenser overheats**

The machine stops and only the air/water condensation remains in operation. The machine automatically restarts when the temperature returns to below the limits set. Only after three consecutive alarms within a period of 5 hours, the machine turns off and stays off.

- **Freezing cycle too long**

In the case of three consecutive alarms within 5 hours, the machine stops.

Calculation of the maximum time of the freezing cycle:

1st cycle = 50'

2nd cycle = duration of 1 cycle x 1.5.

If the 1st cycle lasted less than 7' the maximum time of the next cycle will be 50'.

- **Defrosting too long**

If the defrosting time is greater than 2 minutes and there are 2 consecutive failures within 5 hours, the machine stops.

- **Freezing cycle less than 7 minutes**

The electronics calculate the cycle time as too long at 50 minutes.

- **Water loading too long**

If the load time for the water is greater than 5' the machine stops in alarm. After a break of 120' the machine restarts automatically. If water shortage is ongoing, the machine will attempt to restart every 120'.


6. SERVICE INFORMATION




THE FOLLOWING OPERATIONS MUST BE IMPLEMENTED SOLELY BY OUR QUALIFIED PERSONNEL

1. Verify that the water supply valve is open, then plug in the machine and switch on the main switch; the appliance starts-up in automatic mode (fig. 14) after having pressed the ON/OFF start button (fig. 22).
2. Verify that the water reaches the tray, the float stops the water before the overflow and that there are no leaks in the system and in the water channels. The normal level of water inside the tray is about 5/10 mm from the upper edge (fig. 17).
The level of water can be adjusted by rotating the microfloat or the water sensor on the slot on the relative support after having loosened fastening screw 1 (fig. 17). This adjustment must be implemented after having disconnected the power supply.
3. Verify that there is no abnormal vibration due to loose screws.
4. Always stop the appliance before implementing any operations to resolve water leaks, tighten screws, etc.
5. Verify an ice production cycle ensuring that the cubes are conveyed into the container.
6. Verify that the container sensor functions properly: place an ice cube on the bulb inside the container; the appliance should stop within 1 minute and restart automatically shortly after removing it.
7. Replace the cover previously removed.

7. CLEANING AND MAINTENANCE

 **THE FOLLOWING OPERATIONS MUST BE IMPLEMENTED SOLELY BY OUR QUALIFIED PERSONNEL**


- Use a cloth dampened with a specific chlorine-free product for stainless steel to clean the structure.

 **Note:** *Disconnect the electrical power supply from the appliance to perform maintenance and cleaning operations.*

7.1 CLEANING THE AIR CONDENSER

- To make the most of your appliance in terms of efficiency and durability, the air filter at the front of the machine must be cleaned every week (fig. 23).
- The filter is removed by simply extracting it. Simply wash the filter with a water jet of warm water and dry it before setting it back in place.

 **Do not use brushes or blunt objects to clean the filter.**


 **It is absolutely forbidden to operate the producer without the air filter to prevent malfunctioning.**


7.2 CLEANING THE WATER INLET FILTER

- Close the water shut-off valve of the appliance, disconnect the water inlet pipe and remove the filter screen that is on the water inlet electrovalve with a pair of pliers.
- Clean the screen with a water jet and reassemble it into its place.

7.3 CLEANING THE CONTAINER


- Remove the ice from the container. Clean inside the container with a sponge dampened with warm water and a little sodium bicarbonate;
- rinse with clean water and dry carefully.

 **For all extraordinary maintenance and/or repairs (mechanical, cooling and electrical parts) that require adjustments and/or components to be replaced, always refer to an authorised service centre.**

 **If the appliance should not be used for long periods of time:**

- **disable the machine**
- **remove all the ice from the container**
- **drain all the water**
- **thoroughly clean the machine**
- **leave the door of the container ajar**

8. TECHNICAL SERVICE DATA

 **THE FOLLOWING OPERATIONS MUST BE IMPLEMENTED SOLELY BY OUR QUALIFIED PERSONNEL**

8.1 ELECTRONIC BOARD FUNCTIONS

- Ice level check with probe
- Condensing temperature check with probe (machine stop with temperature > 70°C water version; > of 80°C air).
- Maintenance check. The maintenance alert can be programmed after a certain number of hours of functioning.

8.2 ELECTRONIC BOARD INPUTS AND OUTPUTS

Low voltage inputs

Condenser probe
 Container Probe
 Water level sensor
 Defrosting start micro
 Defrosting end micro

Electronic board

High voltage inputs 230V/50HZ

Compressor
 Tilting Motor
 Hot gas electrovalve
 Water electrovalve
 Blades gear motor
 Electric fan

- **Condenser probe:** with condenser temperature < 24°C, the board makes the fan turn guaranteeing optimal condition of condensation and machine yield.
- Resistance values of the temperature probes (deposit probe and condenser probe) with reference to the room temperature:

Temperature °C	Sensor resistance Ohm
20	2762,034556
25	2200,000000
30	1765,531939

PCB MICROPROCESSOR RESET
 Pressing the **ON/OFF**  button.

8.3 OPERATION CHARACTERISTICS

- On the starting the machine goes into defrosting and discharge the water pan.
- The production cycle start with two minutes of delay that allow a correct balancing of the refrigeration system and therefore a good output and a best production.
- During the machine operation, at the end of every defrosting, the water load happens with 80 seconds of delay, this to allow the evaporator subcooling.
- When the bin is full of ice, the probe comes in contact with the ice and the electronic card stop the machine only on the end of defrosting time. This to always have the cubes completely formed and at the same dimensions.
- Signalling of alarms for the models air and water version:
 - condenser overheating : the machine goes to alarm and it restart again automatically once that the cause has been removed and / or the temperature has re-entered in the range of established operation;
 - error of not water feeding: in case of lack of water the machine automatically start again after 60 minutes from the alarm reset.

8.4 FEATURES OF THE GAS REFRIGERATOR PLANT FREON R134a

- Medium and maximum series "E" blade machines absorption at room temperature of 32°C.
- Condensing pressure and evaporator temperature cycle start and end at room temperature of 32°C.

Machine	Gas	Max. ampere	Medium ampere	Condensing pressure starting cycle (bar)	Evaporation temperature starting cycle (°C)	Condensing pressure end cycle (bar)	Evaporation temperature end cycle (bar)	Electrical consumption on 24 hrs/kw	Cubes for cycles and weight singel cube in gr	Water consumption I/h*
21	134 A	2 A	1,8 A	11,5	-3,3	9	-17	7,5	15/17 GR	6
25	134 A	1,6 A	1,4 A	11	-2	9	-13	5,8	15/17 GR	2,8
35	134 A	2,7 A	2,1 A	14	-2	10	-15	8,6	20/17 GR	4,7
60	R134a	4,2 A	3,4 A	14,7	-2	11,3	-15	12,7	35/17 GR	7,5
75	R134a	4,6 A	3,8 A	14,6	-2	11,4	-13	13,3	60/17 GR	9,4
90	R134a	4,7 A	4,2 A	14,9	-2	10,8	-15	14,4	60/17 GR	12,5

- * Expressed in water litres per hour at water temperature of 15°C and room temperature of 21°C

8.5 PROGRAMMED MAINTENANCE WARNING

- The programmed maintenance time is set at 0 hour by the manufacturer.
- In order to modify this time and/or reset the maintenance recall function; proceed with dip-switch set-up, as shown in the attached table.

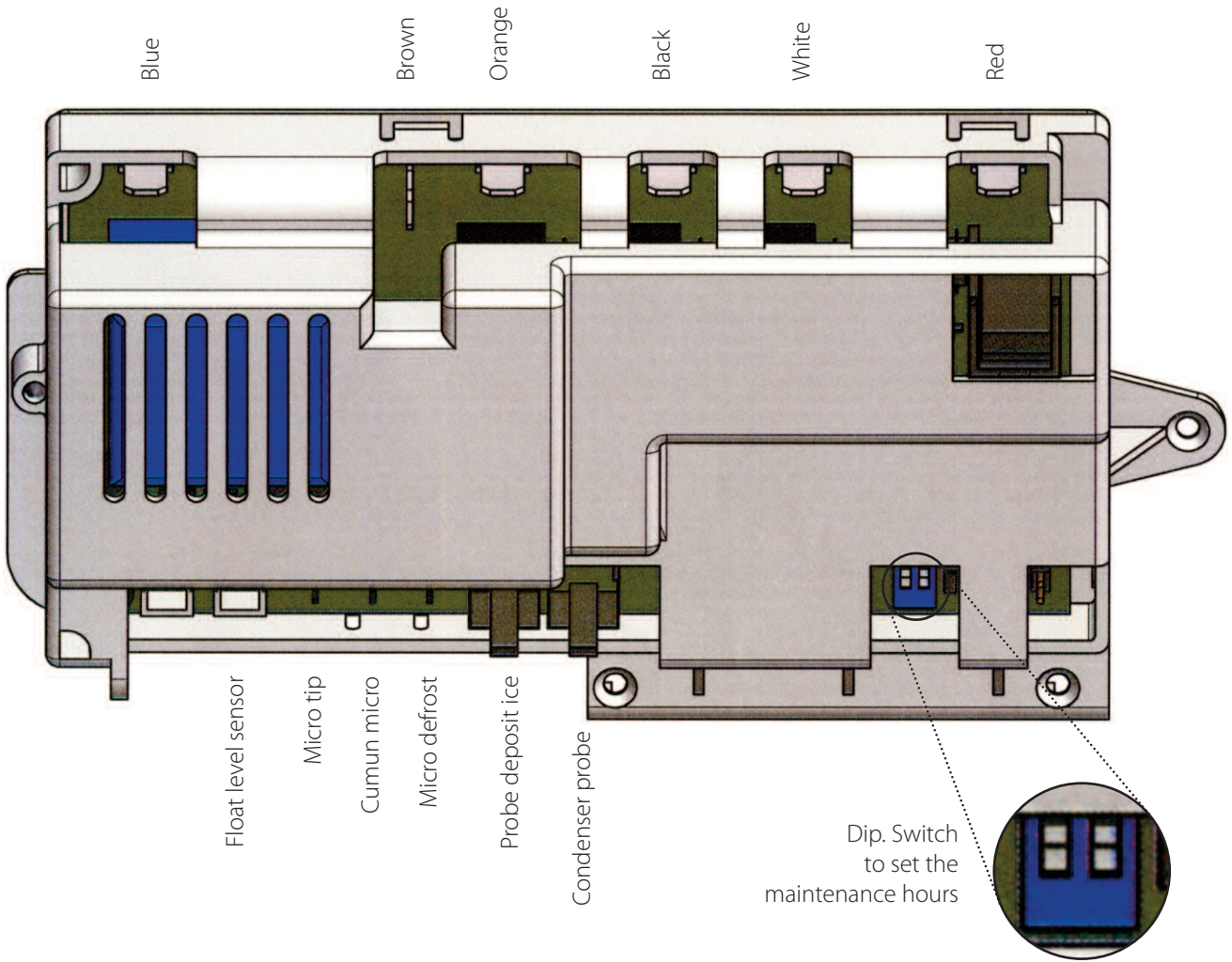
		DIP		NOTE
		1	2	
1	OFF			Interval of maintenance to 0 hour
	ON			
2	OFF			Interval of maintenance to 2000 hours
	ON			
3	OFF			Interval of maintenance to 6000 hours
	ON			
4	OFF			Interval of maintenance to 3500 hours
	ON			

- * In case of programmed maintenance, to reset and to restore the programming to the initial value it's necessary to press the **RESET** button for at least 5 seconds.

8.6 CONNECTION OF ELECTRICAL CABLES AND COMPONENTS TO THE PC BOARD


⚠ Observe the connection with the colors of electric cables.

English



9. MAINTENANCE

9.1 PERIODICAL MAINTENANCE AND CLEANING

 **Cleaning and maintenance especially will vary, depending upon ambient and use conditions.**

In particular affect: hard water, ice volume produced and location requirements.

The following maintenance procedures should be scheduled once per year at least from the local service Agency.

Be sure the electrical power supply of the machine is OFF, before starting any maintenance and cleaning procedure.


- a) Close the water supply, shut-off valve, disconnect the water inlet pipe and remove the strainer from its seat in the water inlet electrovalve withdrawing it by means of pliers. Clean the strainer under running water and reassemble.
- b) Check that the ice maker cabinet is levelled in side-to-side and front-to-rear directions.
- c) Check paddle shaft motor and harvest motor operation.
- d) If you think it opportune, check by means of a gauge the delivery pressure and the evaporator temperature.
- e) Clean the air-cooled condenser using a nonmetal brush or a vacuum cleaner.
- f) Check that fan blades move freely and are not touching any surfaces.
- g) Check for refrigerant leaks.
- h) Check for water leaks. Pour water down bin drain to be sure that drain line is open and clear.
- i) Check operation of the bin thermostat.

9.2 ICEMAKER CLEANING

- a) Remove the top panel.
- b) Remove all ice from the storage bin.
- c) Close the water supply shut-off valve.
- d) Fill tilting pan with a solution of water and citric acid (200-400 grs. of citric acid in one litre of water) and by means of a brush clean the inside of the tilting pan and the evaporator fingers. Start the icemaker to tilt the pan, rinse with clean water in abundance and repeat cleaning three times. e) Add hot water to the ice storage bin and thoroughly wash and rinse all surfaces within the bin.
- f) Clean and sanitize the ice storage bin frequently.

9.3 PARTS REPLACEMENT PROCEDURES

- a) **ADJUSTABLE LEGS FOR N55S÷N90L MODELS**
 - Using the couplings and adjustable feet supplied and screwing them on the base nipples the icemaker can be placed at 9,5 cm. abt. from ground level.
 - Extended feet are available on request to adjust the icemaker at 16 cm. about from ground level.
 - The adjustment should be performed during initial installation of the cabinet and any time the cabinet is moved from the original location to another site.

 **Be sure the electrical power supply and the water supply are OFF, before starting any removal and replacement procedures, as a precaution to prevent possible personal injury or damage to equipment.**

b) COMPRESSOR REPLACEMENT

- Remove the front panel grid and the right side panels.
- On N45S÷N140 models remove the rear panel grid and the side panels.
- Remove the cover and disconnect the electrical leads from the compressor junction box.
- Bleed off or blow the refrigerant charge through the valve.
- Unsolder and disconnect both the suction line and the discharge line (from the compressor).
- Remove compressor mounting bolts and the compressor from the unit base.
- Always install a replacement drier, anytime the sealed refrigeration system is open. Do not replace the drier until all other repairs or replacements have been completed.
- To install the replacement compressor follow previous steps in reverse.
- Thoroughly evacuate the system to remove moisture and non-condensables after compressor replacement.
- Before proceeding with the refrigerant charge check nameplate for specific refrigeration charge for individual cuber.

c) AIR COOLED CONDENSER REPLACEMENT

- Remove the front panel grid and the right side panels.
- Remove the screws which attach the condenser to the unit base.
- Bleed off or blow the refrigerant from the system.
- Unsolder the refrigerant lines from condenser and remove it from the unit.
- Install the replacement condenser following previous steps in reverse.
- Thoroughly evacuate the system to remove moisture and non condensables; then proceed with the charge of FREON R134a.

d) DRIER REPLACEMENT

- Remove the front panel grid and the right side panels.
- Bleed off or blow the refrigerant charge through the Henry-type valve.
- Unsolder the capillary tube from one end of the drier and the refrigerant line from the other end.
- To install a replacement drier remove factory seals.
- Thoroughly evacuate the refrigerant system.
- Charge the system with refrigerant by weight (see nameplate) and check for leaks.

e) FAN MOTOR REPLACEMENT

- Remove the front panel grid and the right side panels.
- Trace the electric wire leads of fan motor and disconnect the same.
- Remove the bolts securing the fan motor assembly to the cabinet base and the remove the assembly.
- Install the replacement fan motor following previous steps in reverse and check that the fan blade do not touch any surface and move freely.

f) EVAPORATOR ASSEMBLY REPLACEMENT

- Remove the top cover.
- Remove six screws securing the paddle shaft supports (two) and the paddle motor support; then remove the paddle motor/paddle shaft/supports assembly.
- Remove the bolts securing the evaporator supports (two) to the cabinet.
- Sideways remove the evaporator supports.
- Unsolder the capillary tube, the hot gas solenoid valve tube and the suction line.
- To install the replacement evaporator assembly follow previous steps in reverse.
- Install the replacement drier; thoroughly evacuate the system and proceed with the refrigerant charge.

g) WATER RESERVOIR/TILTING LEVER/SUPPORT ASSEMBLY REPLACEMENT

- Remove screws and top cover.
- Remove the gear motor/paddle shaft/support assembly.
- Remove the screws securing the evaporator supports (two).
- Sideways remove one evaporator support support as well as one reservoir gudgeon support.
- Slightly lift the evaporator and remove the water reservoir assembly.
- To install the replacement water reservoir assembly follow previous steps in reserve.

h) WATER INLET ELECTROVALVE REPLACEMENT

- Remove the rear panel.
- Check that water supply is closed.
- Disconnect the water supply connection pipe from the valve and that of the electrovalve from the reservoir.
- Break contact from the electrovalve and remove the screws (two) securing the electrovalve to the relevant frame.
- To install the replacement electrovalve follow previous steps in reverse; before installing the water supply pipe check that the gasket is not defective.

i) PADDLE MOTOR REPLACEMENT

- Remove the top cover.
- Remove six screws securing the paddle shaft supports (two) and the paddle motor support.
- Trace the electric wire leads of paddle motor and disconnect the same; then remove the paddle shaft motor assy.
- Remove the paddle shaft assy from the paddle motor gudgeon (or guide pin).
- To install the replacement paddle motor follow previous steps in reverse.

l) HARVEST MOTOR REPLACEMENT

- Remove the top cover.
- Remove the screws securing the harvest motor to the cabinet base.
- Remove the seeger from the cam pin.
- Trace the electric wire leads of harvest motor and disconnect the same; then remove the harvest motor/cam/support assembly.
- Remove the lock pin securing the cam to the motor shaft and the screws joining the harvest motor to the relative support.
- Install the replacement harvest motor on the support and apply the cam; make a $\varnothing 3$ mm hole on the motor shaft and to do it take as a guide the hole already existing on the cam.
- To install the replacement harvest motor assy follow previous steps in reverse.

9. RAEE

Avviso RAEE (IT)

La direttiva sui rifiuti di apparecchiature elettriche ed elettroniche (Waste Electrical and Electronic Equipment - WEEE), entrata in vigore come legge europea in data 13 febbraio 2003, ha apportato un cambiamento significativo alla modalità di smaltimento dell'apparecchiatura elettrica.

Lo scopo della direttiva è, primariamente, la prevenzione dei rischi derivati dai rifiuti di apparecchiature elettriche ed elettroniche (WEEE) e, inoltre, riutilizzo, riciclo e altre forme di recupero volti alla riduzione dell'accumulo di rifiuti.



Il logo RAEE collocato sul prodotto o sulla sua confezione vieta di gettare il prodotto insieme ai normali rifiuti domestici. È necessario smaltire tutti i rifiuti di apparecchiature elettriche ed elettroniche in punti di raccolta adibiti appositamente per il riciclaggio dei rifiuti pericolosi. La raccolta differenziata e il corretto recupero dei rifiuti di apparecchiature elettriche ed elettroniche al momento dello smaltimento consente la salvaguardia delle risorse naturali. Inoltre, il corretto riciclaggio dei suddetti rifiuti tutela la salute umana e l'ambiente. Per maggiori informazioni sullo smaltimento e recupero dei rifiuti di apparecchiature elettriche ed elettroniche, e sui punti di raccolta, contattare l'autorità locale, il servizio per lo smaltimento dei rifiuti domestici, il negozio in cui è stato effettuato l'acquisto, o il costruttore dell'apparecchiatura.

WEEE warning (GB)

The Waste of Electrical and Electronic Equipment Directive (WEEE), in force as a European law since 13 February 2003, has brought about a considerable change in the way electrical equipment is disposed of.

The main purpose of the Directive is prevention of risks deriving from waste of electrical and electronic equipment (WEEE) and moreover, the reuse, recycling and other forms of recovery aimed at reducing waste accumulation.



The WEEE logo found on the product or on its packaging prohibits the disposal of this product with normal domestic waste. All electronic or electrical waste must be disposed of at specific waste collection centres for appropriately equipped for recycling hazardous waste. Separate collection and proper recovery of waste when disposing of electronic and electrical equipment helps protect our natural resources. Moreover, proper recycling of the above-mentioned waste protects human health and the environment. For more information regarding electronic and electrical waste equipment disposal, recovery and collection centres, please contact your local authority, the domestic waste disposal service, the shop where you purchased the equipment from or the manufacturer of the appliance.

Hinweis RAEE (DE)

Die Richtlinie über Elektro- und Elektronik-Altgeräte (Waste Electrical and Electronic Equipment - WEEE), ist seit dem 13. Februar 2003 gesetzlich geltend; sie hat eine bedeutende Änderung bei der Entsorgung von elektrischen Altgeräten mit sich gebracht.

Zweck der Richtlinie ist es in erster Linie, Risiken, die auf Elektro- und Elektronik-Altgeräte (WEEE) zurückzuführen sind, vorzubeugen und außerdem durch deren Wiederverwertung und anderer Wiederaufbereitungsmethoden die Anhäufung solcher Abfälle zu verringern.



Das WEEE-Logo auf dem Produkt oder seiner Verpackung bedeutet, dass dieses Produkt nicht in Ihrem Haushaltsabfall gegeben werden darf. Jeglicher schädlicher Abfall von Elektro- und Elektronikgeräten muss zu den dafür bestimmten Sammelstellen gebracht werden. Durch getrennte und ordnungsgemäße Wiederverwendung elektrischer und elektronischer Abfälle kann zum Umweltschutz beigetragen werden. Außerdem schützt das korrekte Recycling die menschliche Gesundheit und die Umwelt. Weitere Informationen zur Entsorgung, Wiederverwendung und Sammlung von elektrischen und elektronischen Abfällen können bei der Müllabfuhr, bei Recycling-Center sowie beim Verkäufer und Hersteller des Geräts erfragt werden.

Avis DEEE (FR)

La directive sur les déchets d'équipements électriques et électroniques (DEEE) qui est devenue applicable comme loi européenne le 13 février 2003, a conduit à une modification majeure du traitement des équipements électriques à leur fin de vie.

Le but de cette directive est, comme première priorité, la prévention des DEEE, et en complément, la promotion de la réutilisation, du recyclage et d'autres formes de récupération de ces déchets pour réduire les mises en décharge.



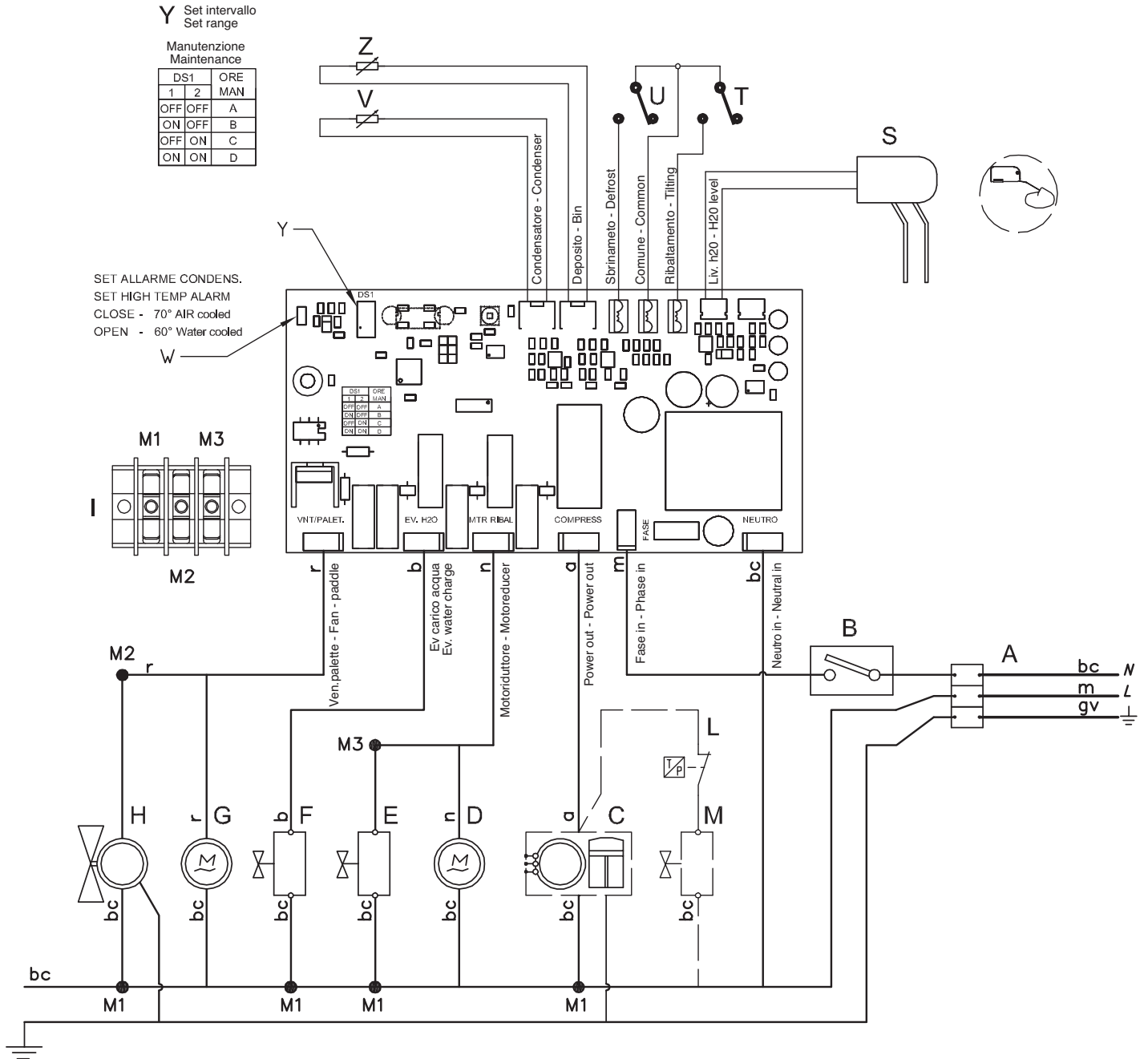
Le logo DEEE sur le produit ou son emballage indique que ce produit ne doit pas être éliminé ou jeté avec vos autres déchets domestiques. Il est de votre responsabilité d'éliminer vos déchets d'équipements électriques ou électroniques en les transférant au point de collecte spécifié pour le recyclage de ces déchets dangereux. Une collecte isolée et la récupération appropriée de vos déchets d'équipements électriques ou électroniques au moment de l'élimination nous permettront de conserver des ressources naturelles. De plus, un recyclage approprié des déchets d'équipements électriques et électroniques assurera la sécurité de la santé et de l'environnement. Pour plus d'informations sur l'élimination des déchets d'équipements électriques et électroniques, la récupération et les points de collecte, veuillez contacter votre centre local, le service des ordures ménagères, le magasin où vous avez acheté l'équipement ou le fabricant de l'équipement.

11. SCHEMA ELETTRICO

ELECTRICAL LAYOUTS

SCHEMAS ELECTRIQUES

SCHALTPLÄNE



19263103/0 REV. 000

A	CAVO di ALIMENTAZIONE POWER CORD
B	INTERRUTTORE GENERALE MAIN SWITCH
C	COMPRESSORE COMPRESSOR
D	MOTORIDUTTORE RIBALTAMENTO HARVEST MOTOR
E	ELETTROVALVOLA GAS HOT GAS SOLENOID VALVE
F	ELETTROVALVOLA CARICO ACQUA WATER INLET VALVE
G	MOTORIDUTTORE PALETTE PADDLE MOTOR
H	VENTILATORE 1 (solo raffr. ARIA) FAN MOTOR (only AIR cooled unit)
I	MORSETTIERA TERMINAL BOARD
L	PRESSOSTATO CONDENSAZIONE (solo raffr. ACQUA) WATER COOLED PRESSURE SWITCH (only WATER cooled)
M	ELETTROVALVOLA ACQUA CONDENSAZIONE WATER COOLED VALVE
S	SENSORE LIVELLO ACQUA WATER LEVEL SENSOR
T	MICRO RIBALTAMENTO END DEFROSTING SWITCH
U	MICRO SBRINAMENTO START DEFROSTING SWITCH
V	SONDA TEMPERATURA CONDENSATORE CONDENSER TEMPERATURE PROBE
Z	SONDA DEPOSITO PIENO BIN FULL PROBE
Y	SELETTORE ORE MANUTENZIONE SERVICE ALARM DIP SWITCH
W	PONTICELLO SET ALLARME CONDENSATORE SWITCH SET HIGH TEMPERATURE ALARM

SEZIONE CAVI / CABLE SECTIONS

————— 1 mmq
————— 1.5 mmq

m	marrone	brown
bc	blu chiaro	light blue
gv	giallo/verde	yellow/green
b	bianco	white
n	nero	black
r	rosso	red
a	arancio	orange

