



125.613



125.618



125.623

**Keep this instruction manual
ready to hand at the product!**

1. General Information	22
1.1 Information about the instruction manual	22
1.2 Key to symbols	22
1.3 Liability and Warrantees	23
1.4 Copyright protection	23
1.5 Declaration of conformity	23
2. Safety	24
2.1 General information	24
2.2 Safety instructions for use of the device	24-25
2.3 Intended use	25
3. Delivery, packaging and storage	26
3.1 Delivery check	26
3.2 Packaging	26
3.3 Storage	26
4. Technical data	27
4.1 Overview of parts	27
4.2 Technical specification	28
5. Installation and operation	29
5.1 Safety instructions	29
5.2 Installation and connection	30-32
5.3 Operating	32-34
6. Cleaning and maintenance	34
6.1 Safety advice	34
6.2 Cleaning	34
6.3 Safety instructions for maintenance	35
7. Waste disposal	35

Bartscher GmbH
Franz-Kleine-Str. 28
D-33154 Salzkotten
Germany

phone: +49 (0) 5258 971-0
fax: +49 (0) 5258 971-120

1. General information

1.1 Information about the instruction manual

This instruction manual contains information about the installation, operation and maintenance of the device and should be consulted as an important source of information and reference guide.

Awareness of the safety instructions and instructions for use in this manual will ensure the safe and correct use of the device.

In addition to the information given here, you should comply with any local Health and safety Controls and generally applicable safety regulations.

The instruction manual forms part of the product and should be kept near the device and easily accessible for anyone carrying out the installation, servicing, maintenance or cleaning.

1.2 Key to symbols

In this manual, symbols are used to highlight important safety instructions and any advice relating to the device. The instructions should be followed very carefully to avoid any risk of accident, personal injury or material damage.



WARNING!

This symbol highlights hazards, which could lead to injury.

Please follow the instructions very carefully and proceed with particular attention in these cases.



WARNING! Electrical hazard!

This symbol draws attention to potential electrical hazards. If you do not follow the safety instructions, you may risk injury or death.



CAUTION!

This symbol highlights instructions, which should be followed to avoid any risk of damage, malfunctioning and/or breakdown of the device.



NOTE!

This symbol highlights tips and information, which have to be followed for an efficient and trouble-free operation of the device.



WARNING! Hot external surface!

This symbol is a warning that the device surface is hot when in use. Ignoring this warning may result in burns!

1.3 Liability and Warrantees

All the information and instructions in this manual take into account standard safety regulations, current levels of technical engineering as well as the expertise and experience we have developed over the years.

The instruction manual was translated with all due care and attention. However, we do not accept liability for any translation errors. The German version of this instruction manual is definitive.

If the delivery consists of a special model, the actual scope of delivery may differ from the descriptions and illustrations in this manual. This is also the case for special orders or when the device has been modified in line with new technology. If you have any questions, you should contact the manufacturer.



NOTE!

Read the instruction manual carefully before using the device. The manufacturer does not accept liability for any damage or malfunction resulting from not following the instructions for use.

The instruction manual should be kept near the device, easily accessible for anyone wishing to work with or using it. We reserve the right to make technical changes for purposes of developing and improving the useful properties.

1.4 Copyright protection

The instruction manual including any texts, drawings, images or other illustrations is copyright. No part of this publication may be reproduced, transmitted or used in any form or by any means without permission in writing from the manufacturer. Any person who commits any unauthorized act in relation to this publication shall be liable to claims for damages. All rights reserved.



NOTE!

The contents, texts, drawings, pictures and any other illustrations are copyright and subject to other protection rights. Any person unlawfully using this publication is liable to criminal prosecution.

1.5 Declaration of conformity

The device complies with the current standards and directives of the EU.

We certify this in the EC declaration of conformity.

If required we will be glad to send you the according declaration of conformity.

2. Safety

This section provides an overview of all important safety aspects.

In addition every chapter provides precise safety advice for the prevention of dangers which are highlighted by the use of the above mentioned symbols.

Furthermore, attention should be paid to all pictograms, markers and labels on the device, which must be kept in a permanent state of legibility.

By following all the important safety advice you gain an optimal protection against all hazards as well as the assurance of a safe and trouble-free operation.

2.1 General Information

This device is designed in accordance with the presently applicable technological standards. However, the device can pose a danger if handled improperly and inappropriately.

Knowing the contents of the instruction manual as well as avoiding mistakes and thus operating this device safely and in a fault-free manner is very essential to protect yourselves from the hazards.

To prevent hazards and to ensure optimum efficiency, no modifications or alterations to the device that are not explicitly approved by the manufacturer may be undertaken.

This device may only be operated in technically proper and safe condition.

2.2 Safety instructions for use of the device

The specifications regarding the industrial safety are based on the Regulations of the European Union applicable at the time of manufacturing the device.

If the device is used commercially, the user is obliged to ensure that the said industrial safety measures concur with the state of the rules and regulations applicable at the time in question for the entire period of use of the device and to comply with the new specifications.

Outside the European Union, the industrial safety laws applicable at the place of installation of the device and the regional territorial provisions must be complied with.

Besides the industrial safety instructions in the instruction manual, the general safety and accident prevention regulations as well as environment protection regulations applicable for area of application of the device must be followed and complied with.



CAUTION!

- The device is not intended for use by individuals (including children) with physical or mental disabilities, insufficient experience, and/or insufficient knowledge unless such persons are under the care of a person responsible for their safety or have received instructions regarding appropriate use of the device.
- Children should be observed to ensure that they are not playing with the device.
- Preserve this manual safely. When passing on/selling the device to a third party, the manuals must be handed over along with the device.
- Every person using the device must act in accordance to the manuals and under consideration of the safety advice.
- The device is to be used indoors only.

2.3 Intended use



CAUTION!

This device has been designed and built for commercial use only and should be operated by qualified personnel only.

Safe operation is only guaranteed when using the device for its intended purpose.

Any technical interventions, as well as assembly and maintenance are to be made by a qualified customer service only.

The Gastro Buffet – Hot Display is intended only for **keeping prepared food products warm** in the appropriate GN containers.



CAUTION!

Any use going beyond the intended purpose and/or any different use of the device is forbidden and is not considered as conventional.

Any claims against the manufacturer or his authorized representative as a consequence of experiencing damages resulting from unconventional use are impossible.

The operator is liable for all damages resulting from inappropriate use.

3. Transport, packaging and storage

3.1 Delivery check

Please check the delivery upon completeness and transport damage immediately after receipt. In case of visible damage do not accept or accept the delivery with reservation only.

Note the extent of damage on the carrier's bill of delivery. Trigger off the complaint.

Hidden damages should be reclaimed immediately after notice, as claims for damages can only be asserted within the effective period for complaints.

3.2 Packaging

Please do not throw away the covering carton of your device as it might be useful for storage purposes, when moving or, in case of damages, when the device must be sent back to a repair center. The outer and inner packing material should be removed completely from the device before installation.



NOTE!

If you liked to dispose the packing, consider the regulations applicable in your country. Supply re-usable packing materials to the recycling.

Please inspect the device upon completeness. In case any part is missing please contact our customer service center immediately.

3.3 Storage

Keep the package closed until installation and under consideration of the outside indicated positioning- and storage markings.

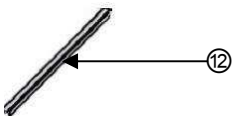
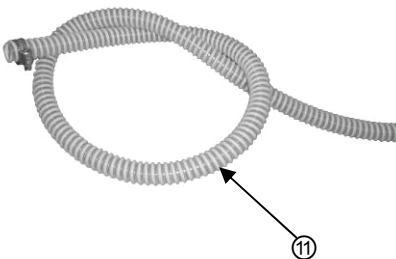
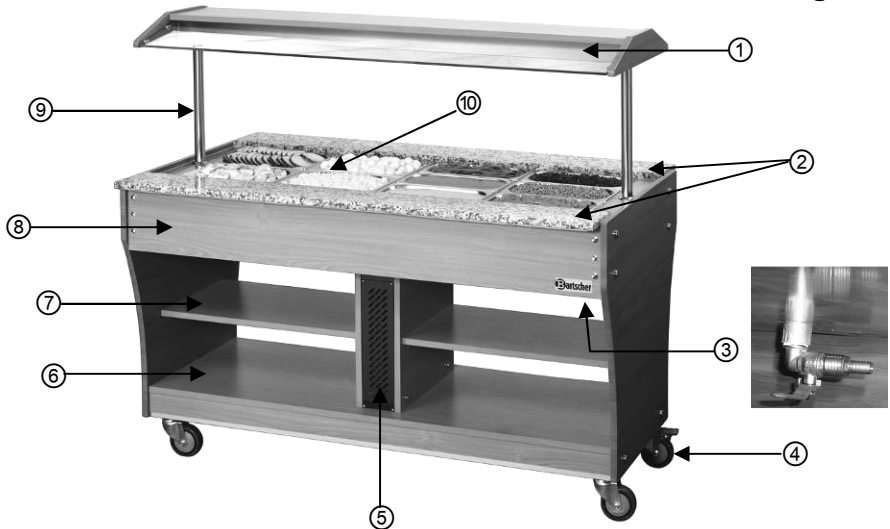
Packages should be stored under consideration of the following:

- Do not store outdoors.
- Keep it dry and dust-free.
- Do not expose it to aggressive media.
- Do not expose it to direct sunlight.
- Avoid mechanical shocks and vibration.
- In case of longer storage (> 3 months) make sure you check the state of the packaging and the parts regularly. If required refresh or renew.

4. Technical data

4.1 Overview of parts

fig. 1



- ① Glass cover with lighting
- ② Countertops
- ③ Drain tap
- ④ Swivel wheels (4),
2 with the possibility of blocking
- ⑤ Vent
- ⑥ Bottom shelf
- ⑦ Middle shelf
- ⑧ Housing
- ⑨ Support poles for glass cover
- ⑩ Chamber for GN containers
- ⑪ Drain hose
- ⑫ Cross bars for GN containers


4.2 Technical specification

Name	Gastro Buffet T – Hot Display		
Model:	3 x 1/1 GN	4 x 1/1 GN	6 x 1/1 GN
	Depth 150 mm		
Article no.:	125.613	125.618	125.623
Material:	basin for GN containers: stainless steel; worktop: Rosa Porrino granite; side walls and body: wood, walnut colour		
Electricity safety class:	I		
Temperature range:	30 °C – 90 °C		
Power:	2.25 kW / 230 V	3.0 kW / 230 V	2 x 2.25 kW / 230 V
Dimensions W x D x H (mm):	1210 x 870 x 1370	1510 x 870 x 1370	2210 x 870 x 1370
GN container intermediate bars:	2 x long, 2 x short	3 x long, 2 x short	4 x long, 4 x short
Weight:	110 kg	134 kg	182 kg

We reserve the right to make technical changes!

Articles are prepared for two-sided assembly (from the front and the back) of the matching sliding tray shelf. Assembly materials are included in the delivery.

The sliding tray shelf (see table below) **is not** included in the delivery.

Material: stainless steel, folding 	Gastro Buffet T Hot Display	Matching sliding tray shelf
	125.613	125.502 W 1140 x D 312 mm
	125.618	125.503 W 1460 x D 312 mm
	125.623	125.504 W 2115 x D 312 mm

5. Installation and operation

5.1 Safety instructions



WARNING! Electrical hazard!

The device must only be connected to a properly installed single socket with protective contact.

Never yank cord to disconnect from outlet.

Cable must not touch any hot parts.

- See that the cable does not touch any heat sources or sharp edges. Do not let the cable dangle over the counter edge.



WARNING! Hot surface!

During operation some elements of the device very become hot. To avoid burns, do not touch hot elements!

- Do not use the device in case it does not function properly, has been damaged or dropped.
- Do not use any accessory or spare parts that have not been recommended by the manufacturer. These can be dangerous for the user or lead to damages of the device or personal injury, and further, the warranty expires.
- Do not lay the cable over carpets or heat insulations. Do not cover the cable. Keep away the cable from operating range and do not dunk it into water.
- Do not move or tilt the device when in operation.



WARNING! Hazard via electrical current!

The device can cause injuries due to improper installation!

Before installation the local power grid specification should be compared with that of the device (see type label).

Connect the device only in case of compliance!

Take note of the security advice!

5.2 Installation and connection



CAUTION!

Installation and maintenance of the device may be carried out only by qualified personnel!

Assembly of the hot display



NOTE!

Two people are needed for the assembly of the hot display!

- Unpack the device and remove all wrapping material.
- Remove the protective film from the device. Check that all the film has been removed.
- Mount the glass cover with integrated lighting on the device (**fig. 2**).

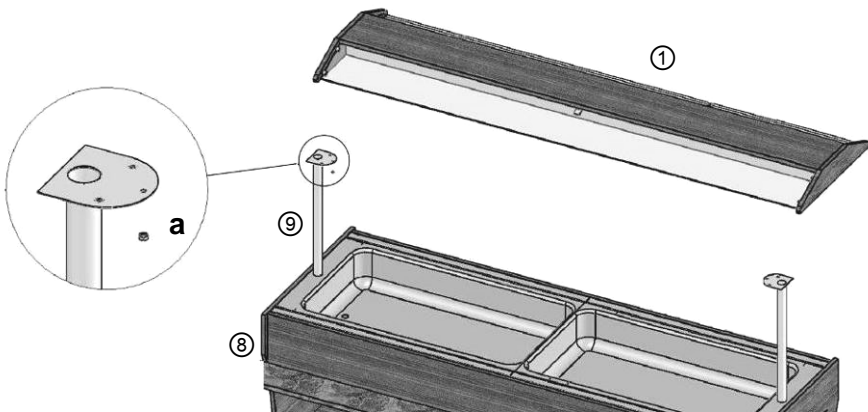


fig. 2

- Insert the support poles ⑨ for mounting the glass cover ① in the openings provided for in the device's housing ⑧.
- Place the glass cover ① on the support poles ⑨ so that the assembled pins would enter into place in the designated holes on the surface of the support poles.
- Then attach the glass cover to each support pole ⑨ using the 3 supplied nuts (a).
- Be careful when guiding the cable to the lighting glass cover ①.
- Connect the light power cord to the appropriate plug.

Assembly of sliding tray shelf (fig. 3)

- For mounting the brackets ③ of the sliding tray shelf, use holes "A" and "B" (the upper openings of the wooden panel). First, remove the plugs from the openings.
- Mount the bracket ③ on the wooden panel, by screwing bolt "1" in opening "A" and bolt "2" in opening "B".
- Mount the sliding tray shelf ① on the brackets and adjust its position using the attached spacer bolts ②.

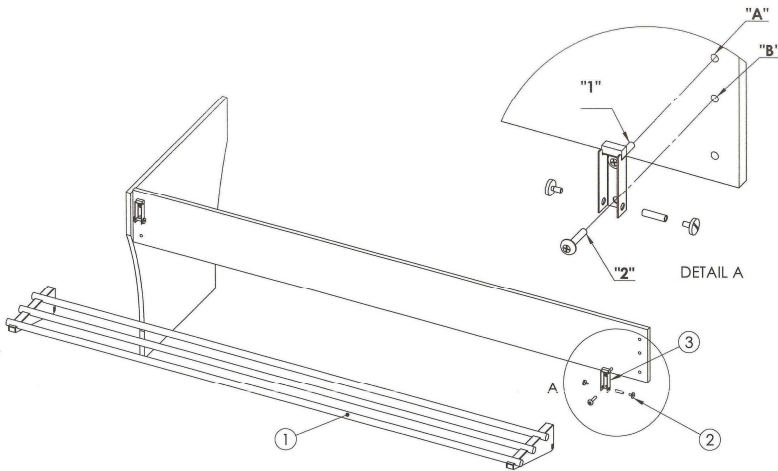


fig. 3

- If necessary, the sliding tray shelf can be folded (fig. 4).



fig. 4

Setup

- Place the device on a flat, secure surface that can support the device's weight.
- **Never** place the device on a flammable surface.
- **Do not** place the device near an open flame, electric or other heater, nor any other source of high temperatures.
- Locate the device so that the plug is easily accessible and in case of need can be quickly removed.
- When the device is located in its desired place, set the rotating castors using the brakes.

Connection

- The electrical circuit must be secured to a minimum of 16A. Connect the device directly to a grounded wall socket; do not use extension cords or power strips.
- **2 separate sockets are required for model no. 125.623!**

5.3 Operating

Before first use

- Before first use clean the device thoroughly (6.2 "Cleaning").
- Ensure that the drain tap is closed.
- Ensure that the device is turned off.
- Connect the device to a single grounded outlet.
- Fill the water reservoir for GN containers.



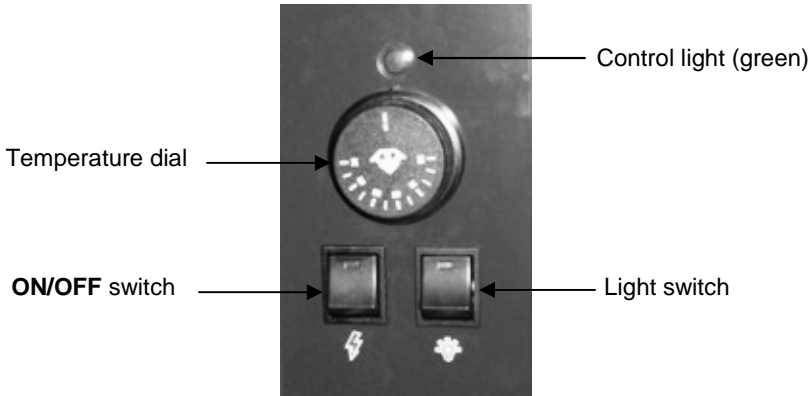
ATTENTION!

Never use the device without water.

The water level can be a maximum of 6 cm.

Regularly check the water levels for the GN container reservoir and add water as needed.

Important elements (fig. 5)



Settings

- **Hot Display 125.623** is equipped with 2 separate heating elements that are responsible for separate GN container zones. Temperature regulation of the individual areas is performed using 2 separate control panels at the rear of the device.
- Only one portion of the Hot Display can be used if necessary.
- Turn the device on using the **ON/OFF** switch. The green control light will come on.
- Set the desired temperature from 30 °C - 90 °C using the temperature dial. The green control light will come on.
- When the desired temperature has been reached the light will go off, and will come on again when the temperature in the GN container basin falls.
- Fill the appropriate GN containers with food products and place them in the basin.
- Turn on the light by the glass shield using the light switch if desired.
- If the device will no longer be used, turn the temperature dial to "**0**", turn the device off using the **ON/OFF** switch and remove its plug from the outlet.
- Fix the drain hose included with the device to the drain tap under the GN container basin, open the drain tap and let the water flow into an appropriate container.



DANGER! Risk of burns!

*The water in the GN container basin may be very hot.
To avoid injury, cool the water before draining it.*

Tips for use

- Do not place any heavy objects (e.g. stacked plates) on the glass shield. For storing plates and other heavy items, use the lower portion of the device and included shelving.
- Place warm food products into the device so that they are more quickly ready to be served.

6. Cleaning and maintenance

6.1 Safety advice

- Before beginning with repair or cleaning works make sure the device has been disconnected from power socket (pull the power plug!!!) and has cooled down.
- Do not use any acid agents and make sure no water ingresses the device.
- To protect yourself from electric shock, **never** immerse the device, its cables and the plug in water or other liquids.



CAUTION!

The device is not suited for direct washing via water jets. Therefore, you must not use any kind of pressure water jet for cleaning the device!

6.2 Cleaning

- Clean the device daily when finished using.
- Leave the device to cool before cleaning.
- Remove GN containers before cleaning. Clean GN containers regularly in warm water with a soft cloth and mild cleaning agent. Rinse in clean water and dry.
- Clean the housing, worktop and storage area with a moist, soft cloth and dry thoroughly.
- Drain water from the GN container basin (**5.3 Operating / Settings**).
- Wash the GN container basin thoroughly with a soft cloth and mild cleaning agent, rinse with clean water and dry.
- **Never** use sharp tools or objects with sharp edges for cleaning the device.
- **Never** use abrasive chemicals (e.g. scouring powder, agents containing alcohol, solvents) as they may damage the device's surface.

6.3 Safety instructions for maintenance

- Check the mains connection cable for damage from time to time. Never operate the device when the cable is damaged. A damaged cable must immediately be replaced by customer service or a qualified electrician to avoid dangers.
- In case of damage or malfunction, please contact your stockist or our customer service centre.
- Only a qualified technician and using original spare parts and accessories should carry out repairs and maintenance of the device. **Do not attempt to repair the device yourself.**

7. Waste disposal

Discarding old devices

At the end of its service life the discarded device has to be disposed in accordance with the national regulations. It is advisable to contact a company which is specialized in waste disposal, or just contact the local disposal service in your community.



WARNING!

To exclude any abuse and the dangers involved make the waste device unfit for use before disposal. For that purpose disconnect device from mains supply and remove mains connection cable from the device.



NOTE!



For the disposal of the device please consider and act according to the national and local rules and regulations.

Bartscher GmbH
Franz-Kleine-Str. 28
D-33154 Salzkotten
Germany

phone: +49 (0) 5258 971-0
fax: +49 (0) 5258 971-120