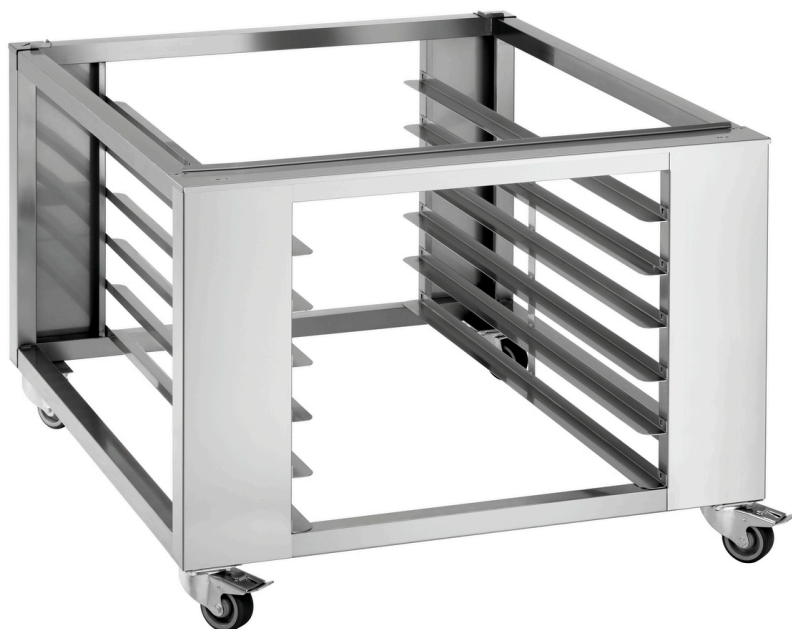


Base frame CL6040-10



Description

The base frame is compatible with deck ovens with baking chambers designed for 2 trays in standard baking format. With its 5 shelves, the base frame can accommodate up to 10 baking trays with standard bakery size 600 x 400 mm. Two locking brakes on the castors ensure stability.

Features

• Format drawers:	600 x 400 mm
• Height-adjustable feet:	No
• Material:	Stainless steel
• Number of drawers:	5, 2 trays each
• Base shelf:	No
• Important information:	Designed for: Deck ovens CL6080-1, CL6080-2, CL6080-3
• Type of drawers:	Crosswise
• Colour:	Silver
• Swivel casters:	2 casters, 2 swivel casters with brakes
• Diameter casters:	80 mm
• Estimated delivery time from our warehouse in Salzkotten, Germany is week:	31 / 2022
• Size:	W 990 x D 1,170 x H 735 mm
• Weight:	30.4 kg



- ▶ Designed for:
 - ✓ Deck ovens CL6080-1, CL6080-2, CL6080-3



- ▶ 5 drawers
 - ✓ For 2 trays each
 - ✓ 600 x 400 mm
 - ✓ Crosswise insertion



- ▶ Swivel casters:
 - ✓ 2 casters
 - ✓ 2 swivel casters with brakes