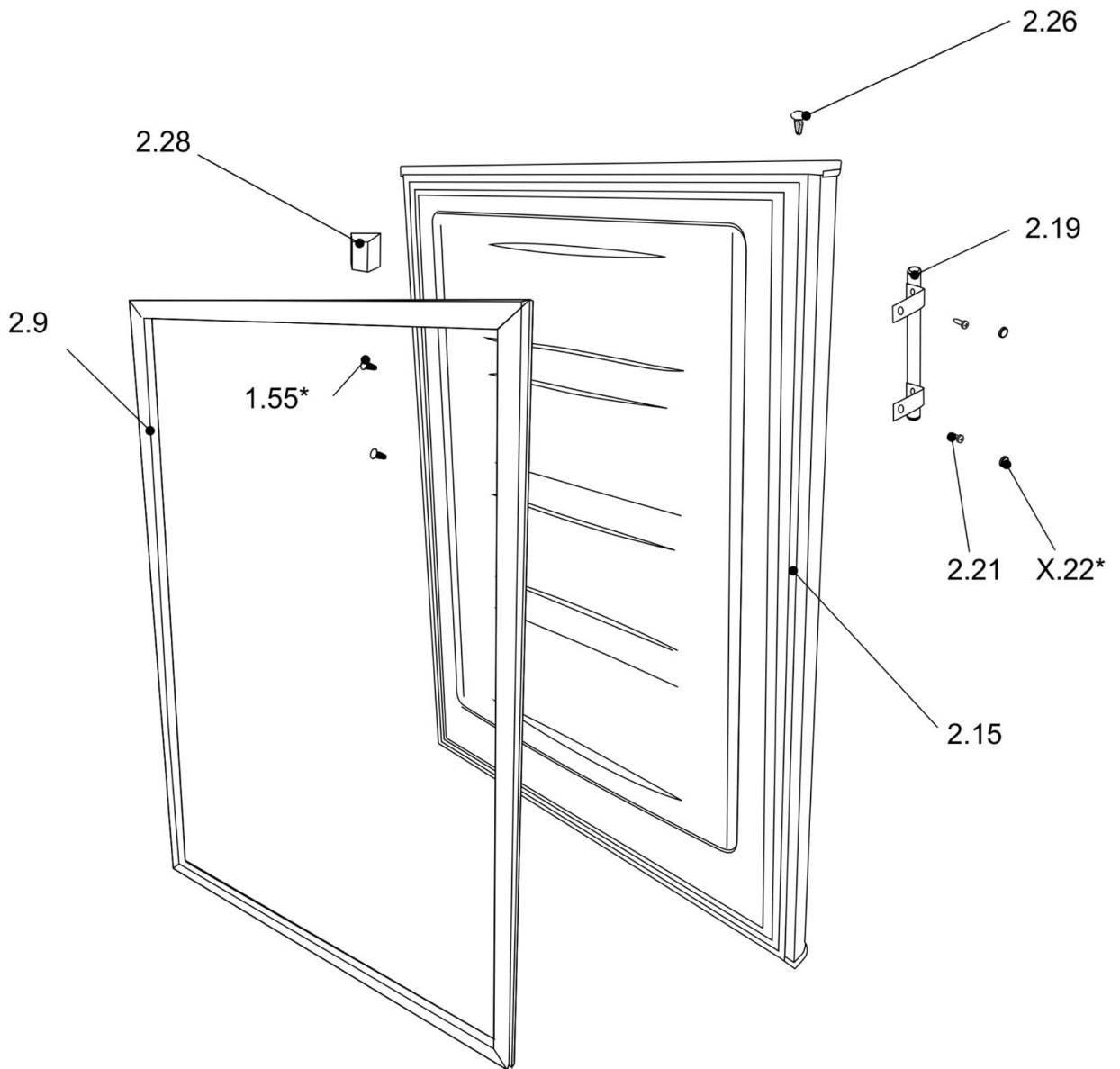


\*If applicable

\*\*Alternative

\*\*\*Amount varies



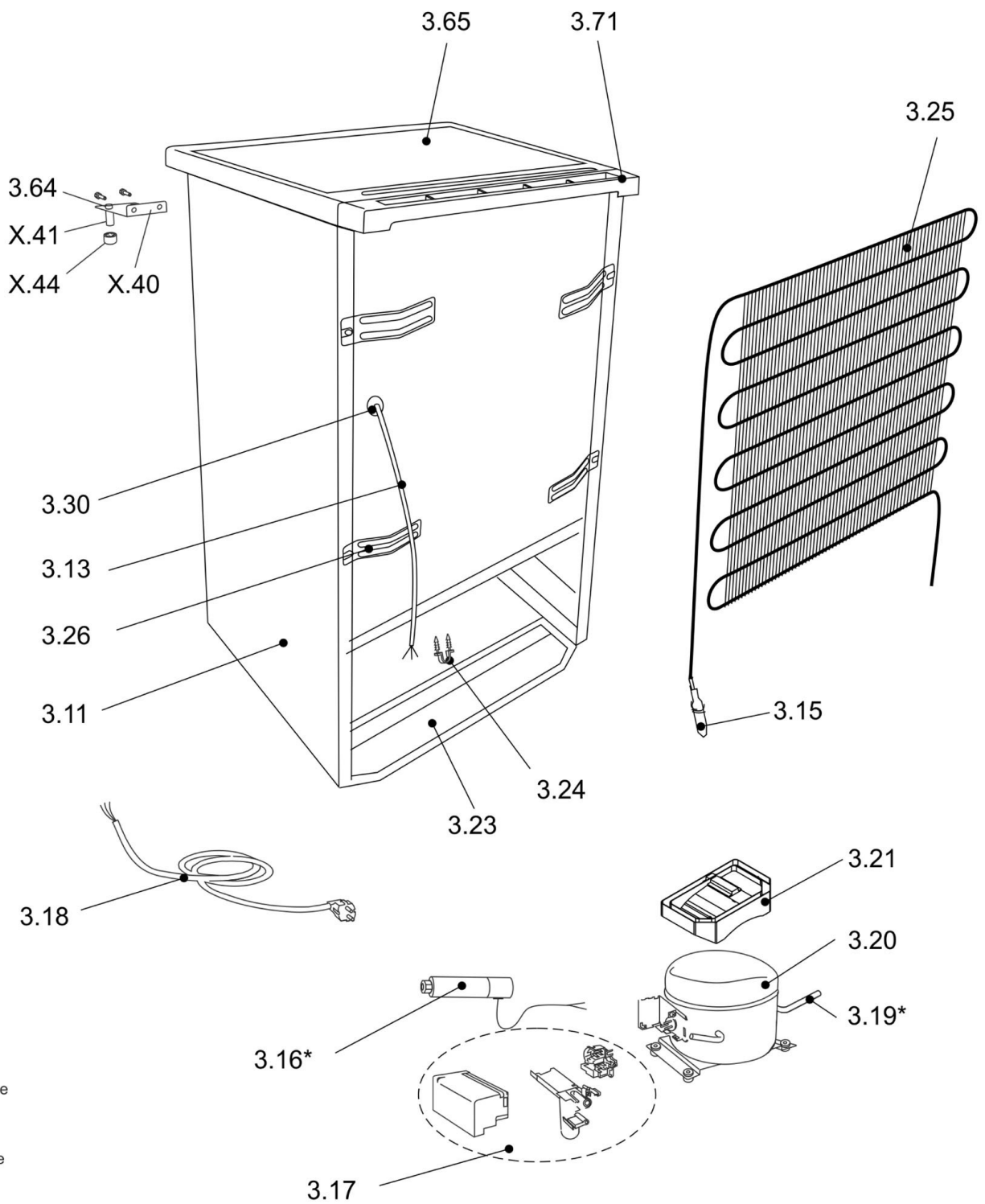


\*If applicable

\*\*Alternative

\*\*\*Amount varies





\*If applicable

\*\*Alternative

\*\*\*Amount varies

