

TB1000R



1061633

TB1000PF



1061933

ENGLISH

Table of contents

1. Safety 20
1.1 Key to symbols 20
1.2 Safety instructions 21
1.3 Proper use 24

2. General information 25
2.1 Liability and Warrantees 25
2.2 Copyright protection 25
2.3 Declaration of conformity 25

3. Transport, packaging and storage 26
3.1 Delivery check 26
3.2 Packaging 26
3.3 Storage 26

4. Technical data 27
4.1 Technical specification 27
4.2 List of device elements 29

5. Installation and operation 30
5.1 Installation instructions 30
5.2 Positioning 31
5.3 Gas connection 31
5.4 Operation 32
5.4.1 Before start-up 32
5.4.2 User instructions 33
5.4.3 Ignition of burners 33
5.4.5 Turning the device off 35

6. Cleaning and maintenance 35

7. Possible defects 36

Bartscher GmbH
Franz-Kleine-Str. 28
33154 Salzkotten
Germany

phone: +49 (0) 5258 971-0
fax: +49 (0) 5258 971-120



Read this instruction manual before using and keep them available at all times!

This instruction manual contains information about the installation, operation and maintenance of the device and should be consulted as an important source of information and reference guide.

Awareness of the safety instructions and instructions for use in this manual will ensure the safe and correct use of the device.

In addition to the information given here, you should comply with any local Health and safety Controls and generally applicable safety regulations.

The instruction manual forms part of the product and should be kept near the device and easily accessible for anyone carrying out the installation, servicing, maintenance or cleaning.

Please keep these instructions and give them to future owners of the device.

1.Safety

This device is designed in accordance with the presently applicable technological standards. However, the device can pose a danger if handled improperly and inappropriately.

All persons using the device must follow the recommendations and instructions in this instruction manual.

1.1 Key to symbols

In this manual, symbols are used to highlight important safety instructions and any advice relating to the device. The instructions should be followed very carefully to avoid any risk of accident, personal injury or material damage.



DANGER!

This symbol highlights hazards which could lead to injury.



WARNING!

This symbol highlights dangerous situations which could lead to injury or death.



HOT SURFACE!

This symbol is a warning that the device surface is hot when in use. Ignoring this warning may result in burns!



CAUTION!

This symbol highlights dangerous situations which could lead to light injuries, or damage, malfunction, and/or destruction of the device.



NOTE!

This symbol highlights recommendations and information aimed for effective and trouble-free device operation.

1.2 Safety instructions



CAUTION!

The device is designed for outdoor use only.

The external elements may become very hot. Keep small children away from the device!

- The device is not intended for use by individuals (including children) with physical or mental disabilities, insufficient experience, and/or insufficient knowledge unless such persons are under the care of a person responsible for their safety or have received instructions regarding appropriate use of the device.
- Children should be observed to ensure that they are not playing with or starting the device.
- Prevent access of children to the package materials like plastic bags and foamed polystyrene elements. **Suffocation hazard!**
- **Never** leave the device unattended when in use.

- The device must be operated in correct and safe technical condition only.

CAUTION!

In case of any anomalies during the operation set all gas knobs in “0” position and close the gas cylinder valve! Contact the service company.

- Do not use any device which has leaks, is damaged, or operates incorrectly.
- Never place two gas table-top grills next to each other.
- Never use the gas table-top grill in the vicinity of flammable materials.
- When your device leaks gas (gas smell), immediately take it outside to the place of good air circulation and without any ignition sources, where the leak may be detected and removed.
- Tightness of the device should be checked outdoors only. **Never** look for the leak with use of open fire, use water with soap (or the tightness tester in spray).
- Only a qualified technician and using original spare parts and accessories should carry out repairs and maintenance of the device. **Never attempt to repair the device by yourself.**
- Do not use any accessory or spare parts that have not been recommended by the manufacturer. These can be dangerous for the user or lead to damages of the device or personal injury, and further, the warranty expires.
- It is forbidden to make any changes or modifications of the device without explicit authorization of the manufacturer in order to avoid damage and assure optimum operation.

- Do not put any objects into the device.
- The gas table-top grill should be cleaned after each use from food residuals and grease.
- Close the gas cylinder valve before cleaning and repairs.



HOT SURFACE! Risk of burns!

Follow the safety instructions below to avoid the hazard.

- During the device operation its housing, grid, and dripping tray (or grill frying pan) become very hot. Do not touch them! Use only the suitable kitchen utensils for placing and removing food.
- The device remains hot also for some time after use. Let the device cool down sufficiently before removing parts for cleaning or moving it.
- **Never** move the device during work.



WARNING! Risk of fire or explosion!

To avoid the hazard please follow the safety instructions below:

- To avoid the risk of fire and damaging the device **never** place kitchen utensils, towels, paper etc. on the grill grid or frying pan.

- **Never** use the device near the flammable materials (such as alcohol, spirits, petrol, etc). High temperature may cause their evaporation and due to contact with the ignition sources the explosion may occur, and it may result in personal injuries and material damage.
- **Never** clean the device with use of flammable liquids. Vapours may cause fire or explosion.

1.3 Proper use

The operational safety of the device is assured only in case of proper use, according to the operation manual.

All technical activities like installation and maintenance must be performed by the qualified service personnel only.

The gas table-top grill is designed only for grilling meat, fish, and vegetables with use of appropriate accessories (grid, frying pan).

The device is designed for outdoor use only.



CAUTION!

Any use going beyond the intended purpose and/or any different use of the device is forbidden and is not considered as conventional.

Any claims against the manufacturer or his authorized representative as a consequence of experiencing damages resulting from unconventional use are impossible.

The operator is liable for all damages resulting from inappropriate use.

2. General information

2.1 Liability and Warrantees

All the information and instructions in this manual take into account standard safety regulations, current levels of technical engineering as well as the expertise and experience we have developed over the years.

The instruction manual was translated with all due care and attention. However, we do not accept liability for any translation errors. The German version of this instruction manual is definitive.

If the delivery consists of a special model, the actual scope of delivery may differ from the descriptions and illustrations in this manual. This is also the case for special orders or when the device has been modified in line with new technology.



CAUTION!

Read this manual carefully and thoroughly before any operation of the device, and especially before turning it on!

Manufacturer **is not liable** for any damages or faults caused by:

- violation of advice concerning operation and cleaning;
- use other than designed;
- alterations made by user;
- use of inadequate spare parts.

We reserve the right to make technical changes for purposes of developing and improving the useful properties.

2.2 Copyright protection

The instruction manual including any texts, drawings, images or other illustrations is copyright. No part of this publication may be reproduced, transmitted or used in any form or by any means without permission in writing from the manufacturer. Any person who commits any unauthorized act in relation to this publication shall be liable to claims for damages. All rights reserved.



NOTE!

The contents, texts, drawings, pictures and any other illustrations are copyright and subject to other protection rights. Any person unlawfully using this publication is liable to criminal prosecution.

2.3 Declaration of conformity



The device complies with the current standards and directives of the EU. We certify this in the EC declaration of conformity. If required we will be glad to send you the according declaration of conformity.

3. Transport, packaging and storage

3.1 Delivery check

Please check the delivery upon completeness and transport damage immediately after receipt. In case of visible damage do not accept or accept the delivery with reservation only.

Note the extent of damage on the carrier's bill of delivery. Trigger off the complaint.

Hidden damages should be reclaimed immediately after notice, as claims for damages can only be asserted within the effective period for complaints.

3.2 Packaging

Please do not throw away the covering carton of your device as it might be useful for storage purposes, when moving or, in case of damages, when the device must be sent back to a repair center. The outer and inner packing material should be removed completely from the device before installation.



If you liked to dispose the packing, consider the regulations applicable in your country. Supply re-usable packing materials to the recycling.

Please inspect the device upon completeness. In case any part is missing please contact our customer service center immediately.

3.3 Storage

Keep the package closed until installation and under consideration of the outside indicated positioning- and storage markings.

Packages should be stored under consideration of the following:

- do not store outdoors,
- keep it dry and dust-free,
- do not expose it to aggressive media,
- do not expose it to direct sunlight,
- avoid mechanical shocks and vibration,
- the gas cylinder should be disconnected from the device and stored separately.
- in case of longer storage (> 3 months) make sure you check the state of the packaging and the parts regularly, if required refresh or renew.

4. Technical data

4.1 Technical specification

TB1000R / 1061633

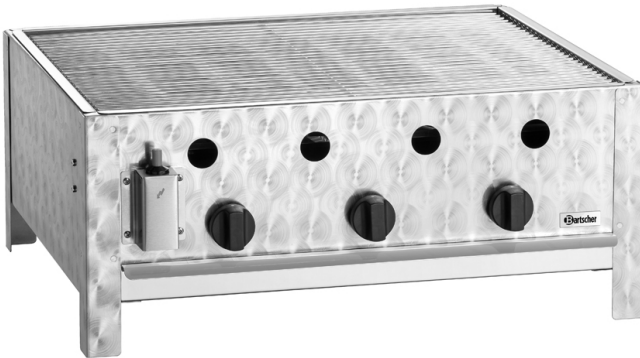


Fig. 1

Name	Gas table-top grill TB1000R
Code-No.:	1061633
Material:	device: stainless steel; grid: galvanised steel; dripping tray: stainless steel
Version:	<ul style="list-style-type: none"> ▪ Gas type: liquid gas ▪ The device must be supplied with the liquid gas only! ▪ Number of burners: 3 ▪ Ignition type: Piezo ignition ▪ Connection 1/4" ▪ Gas pressure: 50 mbar ▪ Consumption: 728 g/h
Power:	10 kW
Dimensions:	W 685 x D 560 x H 275 mm
Grill grid dimensions:	W 600 x D 475 mm
Dripping tray dimensions:	W 565 x D 495 x H 42 mm
Weight:	13.65 kg
Accessories:	3 sets of gas nozzles (30 mbar, 37 mbar, 50 mbar)

Subject to technical changes and alterations!

TB1000PF / 1061933



Fig. 2

Name	Gas table-top grill TB1000PF
Code-No.:	1061933
Material:	device: stainless steel, grill frying pan: enamelled steel
Version:	<ul style="list-style-type: none"> ▪ Gas type: liquid gas The device must be supplied with the liquid gas only! ▪ Number of burners: 3 ▪ Ignition type: Piezo ignition ▪ Connection 1/4" ▪ Gas pressure: 50 mbar ▪ Consumption: 728 g/h
Power:	10 kW
Dimensions:	W 705 x D 560 x H 275 mm
Dimensions of grill frying pan:	W 705 x D 540 x H 43 mm
Weight:	13.7 kg
Accessories:	3 sets of gas nozzles (30 mbar, 37 mbar, 50 mbar)

Subject to technical changes and alterations!

4.2 List of device elements

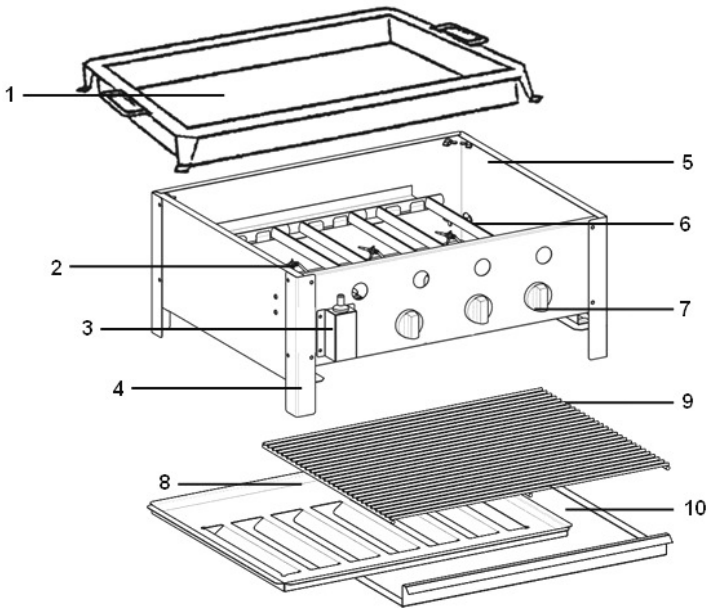


Fig. 3

- 1** Grill frying pan (1061633)
- 2** Thermal element
- 3** Piezo igniter
- 4** Feet
- 5** Frame
- 6** U-shapes gas burner (3)
- 7** Gas knob
- 8** Flame cover (1061933)
- 9** Grill grid (1061933)
- 10** Dripping tray (1061933)

5. Installation and operation

5.1 Installation instructions



CAUTION!

All installation, connection, and maintenance works must be realized by the qualified or authorized personnel only, fulfilling the following requirements:

- a) authorization from our company;
- b) authorization from the local gas supplier.

Moreover the following regulations must be followed:

- 1) DVGW TRGI (technical regulations for the gas installations);
- 2) TRF (technical regulations for the liquid gas);
- 3) DVGW G 631 (installation of commercial kitchen devices for combustion of gas fuels).

Moreover the appropriate building law, trade law, health and safety, and VDE regulations must be followed.

Classification of gas fuels used in various countries

Destination country	Categories	Gas pressure	Gas type	Burner nozzles
BE-CH-ES-GR-IT-PT-FR-GB-IE	I ₃₊	28-30/37 mbar	G30/G31	0,94 mm
BG-CY-CZ-DK-EE-FI-GR-HR-HU-IT-LV-LT-MT-NL-NO-SE-SI-SK-RO-TR	I _{3B/P}	28-30 mbar	G30/G31	
PL	I _{3B/P}	37 mbar	G30/G31	0,88 mm
AT-DE-CH-NL	I _{3P}	50 mbar	G31	
AT-DE-CH-HU	I _{3B/P}	50 mbar	G30/G31	0,80 mm

5.2 Positioning

- Unpack the device and accessories and remove all packaging material according to the regulations valid in the country of installation.
- Check the delivery for completeness with use of table in **section 4.1 “Technical parameters”**.
- Fix the supplied feet to the device frame using supplied screws.
- Place the device on top of an even, stable, dry, and water and heat resistant surface.
- **Never** place the unit on a flammable surface.
- **Never** place the device in humid or wet environment.
- The installation place must be easily accessible and sufficiently spacious to allow easy operation of the device and good air circulation.
- **Never** place the device directly next to walls or other objects which are made from the flammable materials. Assure the minimum side and back distance of 20 cm of the device. Follow the valid fire protection regulations.
- When it is not possible to maintain the recommended distance, use appropriate protection measures (e.g. heat-resistant foil) which assure keeping the wall temperature in safe range.
- Before starting operation, remove the protective film from the device. Remove the film slowly in order to avoid leaving the glue residues. Any glue residues may be removed with use of a suitable solvent.



CAUTION!

Never remove the rating plate or any warning signs from the device.

5.3 Gas connection

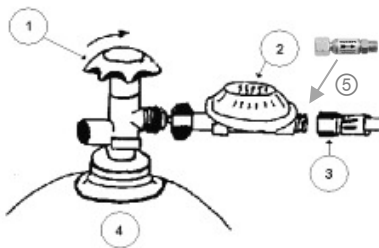


CAUTION!

All installation, connection and maintenance works for the device must be performed by the qualified gas systems installer according to the valid international, national and local regulations.

- The device is factory-prepared for operation with the gas type specified on the rating plate.
- Assure the distance of minimum 50 cm between the gas grill and the gas cylinder.
Warning: Keep the fire cylinder away from fire.

- Store the gas cylinders in the vertical position even when empty.
- **The device is designed for outdoor use only.**



- ① Gas cylinder valve
- ② Pressure controller
- ③ Gas hose
- ④ Gas cylinder
- ⑤ Hose breaking protection

Fig. 4

- Fix the appropriate pressure controller ② to the gas cylinder ④ (fig. 4) using large brass nut.
- Place the hose breaking protection ⑤ between the pressure controller and the gas hose. (as shown.)
- Finally connect the gas hose ③ with the pressure controller ②.

Use only connection hoses with DVGW certificate.

- Make sure that the rubber seal is in the nut. Tighten the nut properly. Make sure that the nut thread is left-hand.
- Connect the gas hose to 1/4" connection on the right side of the gas table-top grill. Use appropriate wrench.
- Make sure that the gas hose is correctly fixed and perform the tightness test as described in section 5.4.1 "**Before start-up**".

5.4 Operation

Before start-up



DANGER!

Never perform the tightness test with use of open flame!

- Perform the tightness test before the gas table-top grill start-up. Make sure that the gas cylinder valve is closed. Use the paintbrush to cover the gas connections with water and soap or use tightness tester spray. Finally connect the pressure to the gas hose by opening the gas cylinder valve. The connections are tight when there are no bubbles on the soap.

- In case of leaks check connections, retighten them, and repeat the tightness test as described above.
- Clean the device and its equipment before use. Follow the instructions in section 6. “**Cleaning and maintenance**”.

User instructions

- The grill frying pan (1061933) should be heated slowly before use, absolutely not using full power, in order to avoid the material damage. Never heat the frying pan without grease!
- While using the grill frying pan (1061933) do not use the dripping tray. Otherwise the damages may occur leading even to the malfunction of the whole device.
- Before using the grill grid (1061633) fill the dripping tray with small amount of water and slide it into the guides under the frame. Never use the device without the dripping tray.
- While using the grill grid do not place any foils on it or between the grid and the flame cover as the heat accumulation may occur. There is the **fire hazard!**

Ignition of burners



WARNING! Risk of burns!

**Do not lean over the device during flame ignition!
High flame may cause burns.**

- Rotate left gas knob (7) (fig. 5) from position “0” by 90° anti-clockwise and press red button of Piezo igniter (3) in order to ignite left burner (6). Hold the knob pressed for another 10 seconds so the burner remains in the operation mode. When flame goes off, it may be reignited after approx. 2 minutes.
- Then ignite another burner by pressing and rotating another knob anti-clockwise.

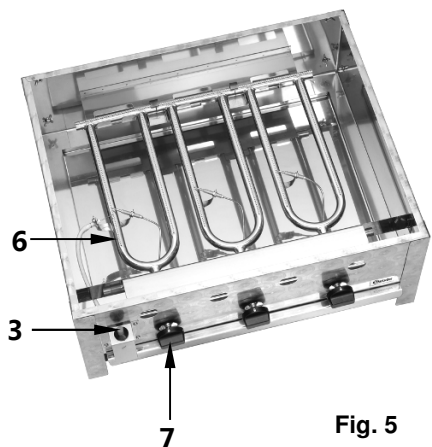


Fig. 5

- Use the same procedure for the third burner.



NOTE!

Always start the burner adjacent to already ignited in order to transfer the flame.

- After the burner ignition set the gas knob in required position. Select small or big flame (paying attention to symbols on the knob).

5.4.1 Replacement of burner nozzles

- The device is factory-prepared for operation with the gas type and pressure specified on the rating plate.
- When required, the device may be set to the gas pressure available in the installation country with use of special burner nozzles included in the delivery.
- **Replacement of the burner nozzles must be realized by the qualified gas systems installer!**
- The factory-installed nozzle must be replaced with the nozzle suitable for the gas pressure available in the installation country. Data for the burner nozzles are specified in table “**Classification of gas fuels used in various countries**” on page 30.
- Replacement of burner nozzles must be performed for all burners.
- After the replacement place appropriate sticker on the rating plate.
- The warning instructions on the device should be replaced with the language used in the installation place.

Turning the device off

- In order to turn the device off after work rotate all gas knobs clockwise.



CAUTION!

In case of longer standstills, failures, or irregular use the gas cylinder valve must be closed.

6. Cleaning and maintenance



WARNING!

Never clean the device with flammable or explosive liquids. Vapours may cause fire or explosion.

Do not use pressurized water jet for cleaning the device!

Never immerse the device in water or other liquids.

- Clean the frame with warm water and neutral detergent. Do not use any aggressive materials or abrasive cleaning agents.
- The grill frying pan, grill grid and flame cover, and the dripping tray should be cleaned after each use with the soap solution and finally dried thoroughly.
- During cleaning of the device pay attention that the Piezo igniter and the thermal elements of the gas burners do not become wet.
- Periodically clean the ventilation holes in front part of the device.



CAUTION!

All maintenance and repair works for the device must be performed by the gas systems installer only. We recommend realization of the device inspection every 6 months by the installer.

7. Possible defects

In case of defect close the gas cylinder valve. Before contacting the customer service department or vendor check the troubleshooting table below.

Problem	Cause	Solution
The burner does not ignite	▪ Damaged Piezo igniter	▪ Contact the service company.
	▪ Damaged thermal element	
	▪ Contaminated ignition plug	
	▪ Damaged pressure controller	
	▪ Empty gas cylinder	▪ Replace the gas cylinder
	▪ Cracked or bent gas hose	▪ Replace the gas hose
	▪ Clogged gas cylinder valve	▪ Contact the service company.
Incorrect ignition flame	▪ (Almost) empty gas cylinder	▪ Replace the gas cylinder
	▪ Cracked or bent gas hose	▪ Replace the gas hose
	▪ The gas cylinder valve is not fully opened	▪ Fully open the gas cylinder valve
	▪ Clogged nozzle	▪ Contact the service company.
	▪ Damaged gas cylinder valve	

When malfunction cannot be removed:

- **do not** open the housing,
- contact the customer service department or vendor and give the following information:
 - type of malfunction;
 - article number and serial number
(read from the rating plate on the back wall of the device).

Bartscher GmbH
 Franz-Kleine-Str. 28
 33154 Salzkotten
 Germany

phone: +49 (0) 5258 971-0
 fax: +49 (0) 5258 971-120