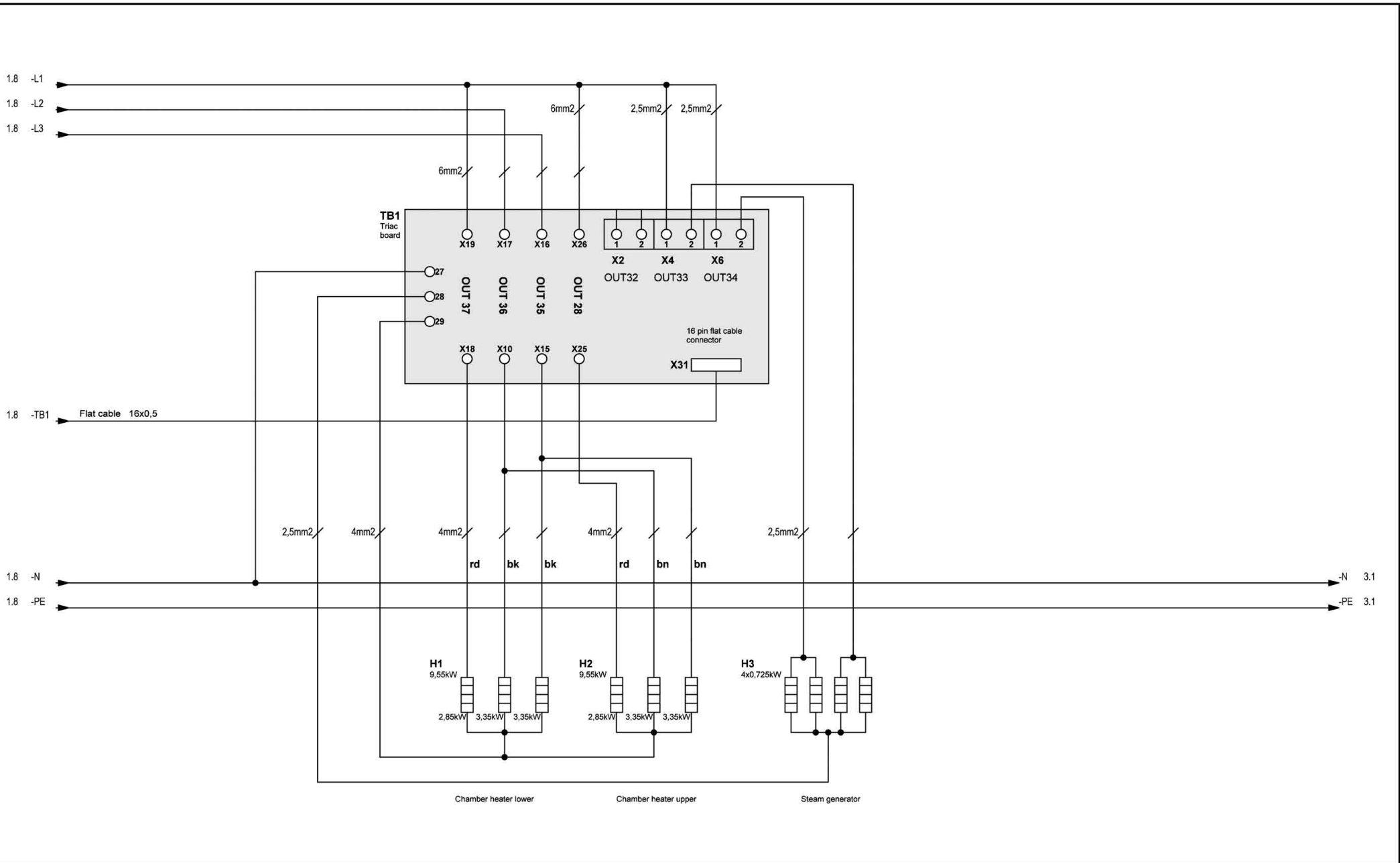
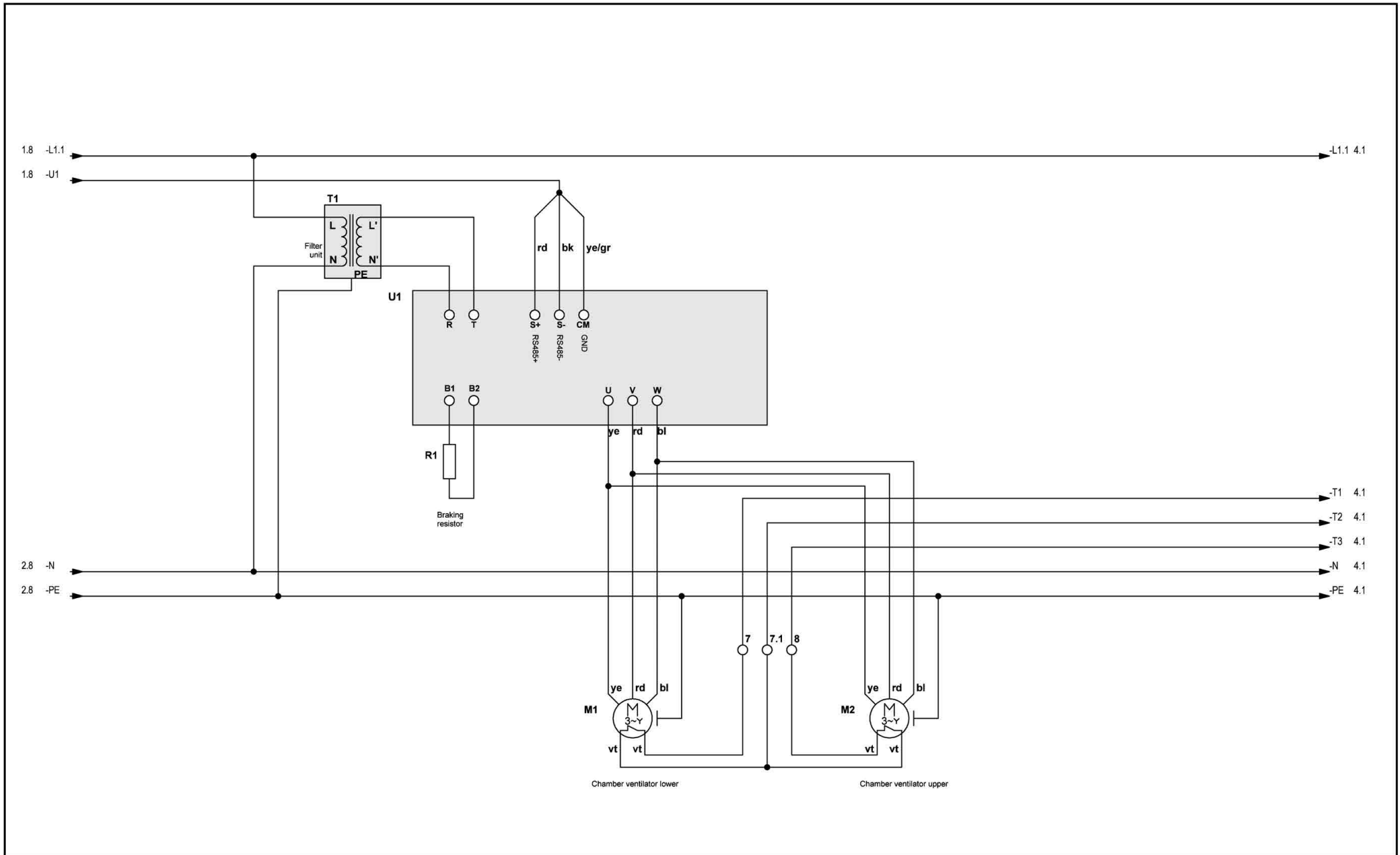


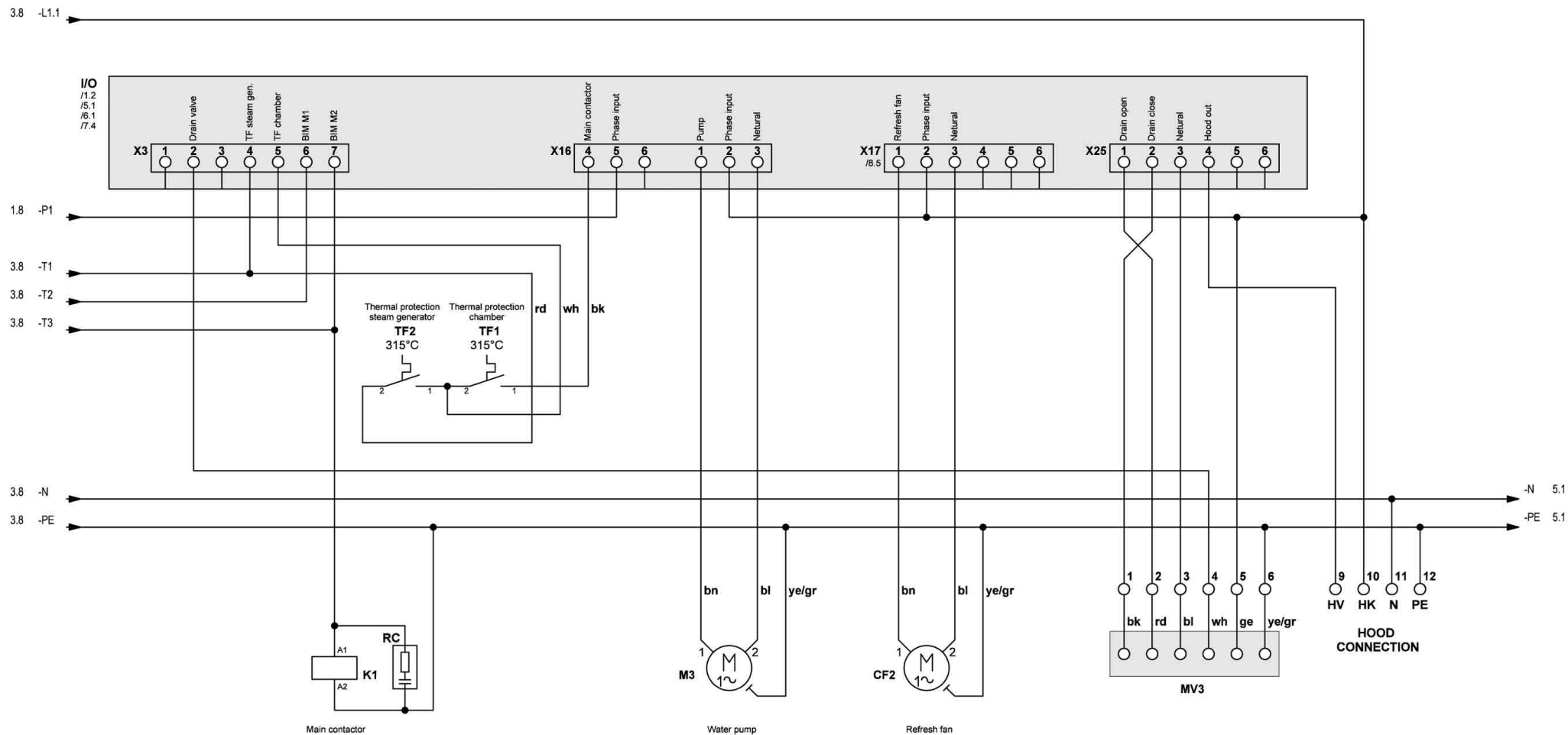
400V/3N/50Hz
POWER SUPPLY

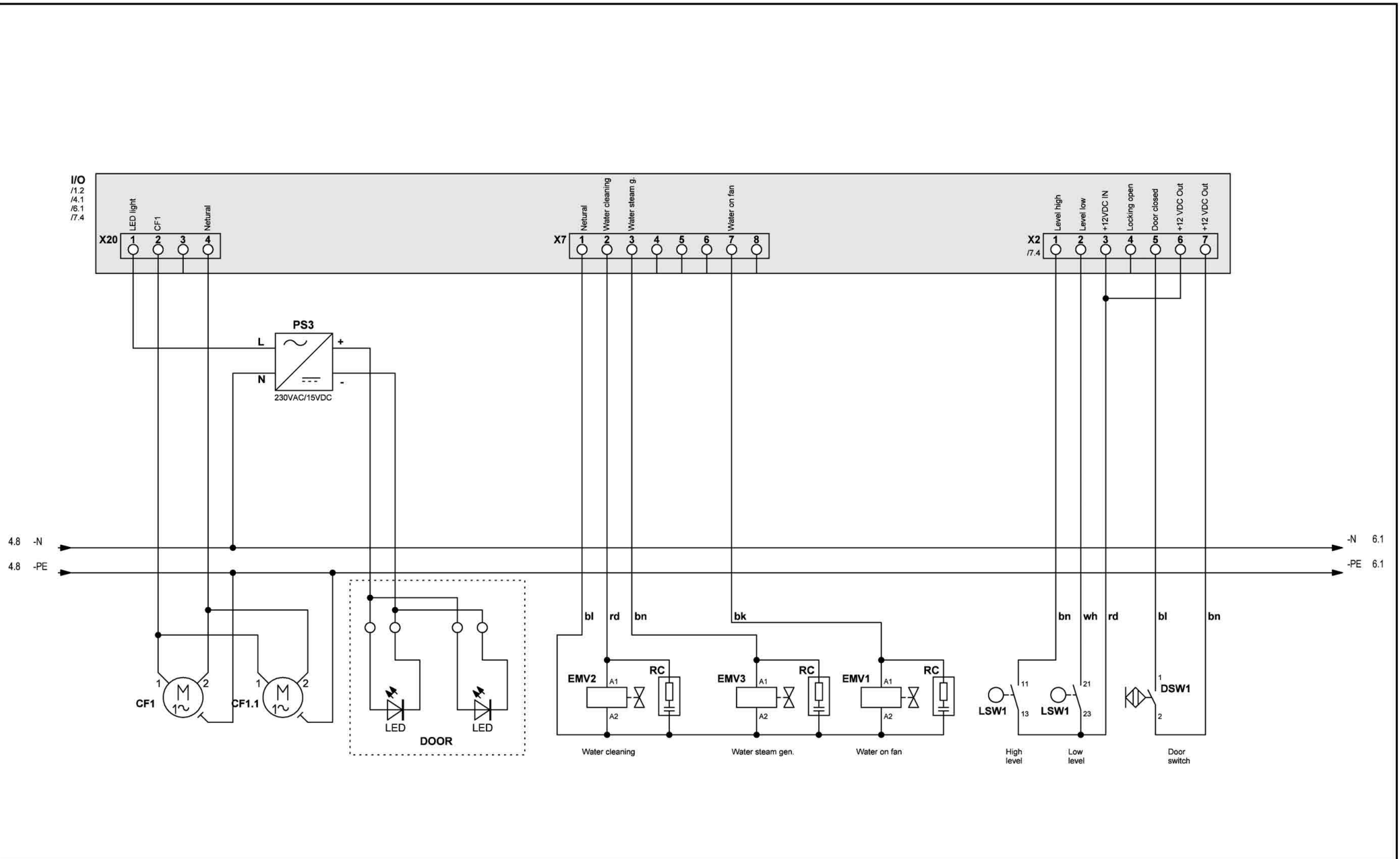
2m cable 5x6 mm² H07RN-F
provided by customer 3 x 32A

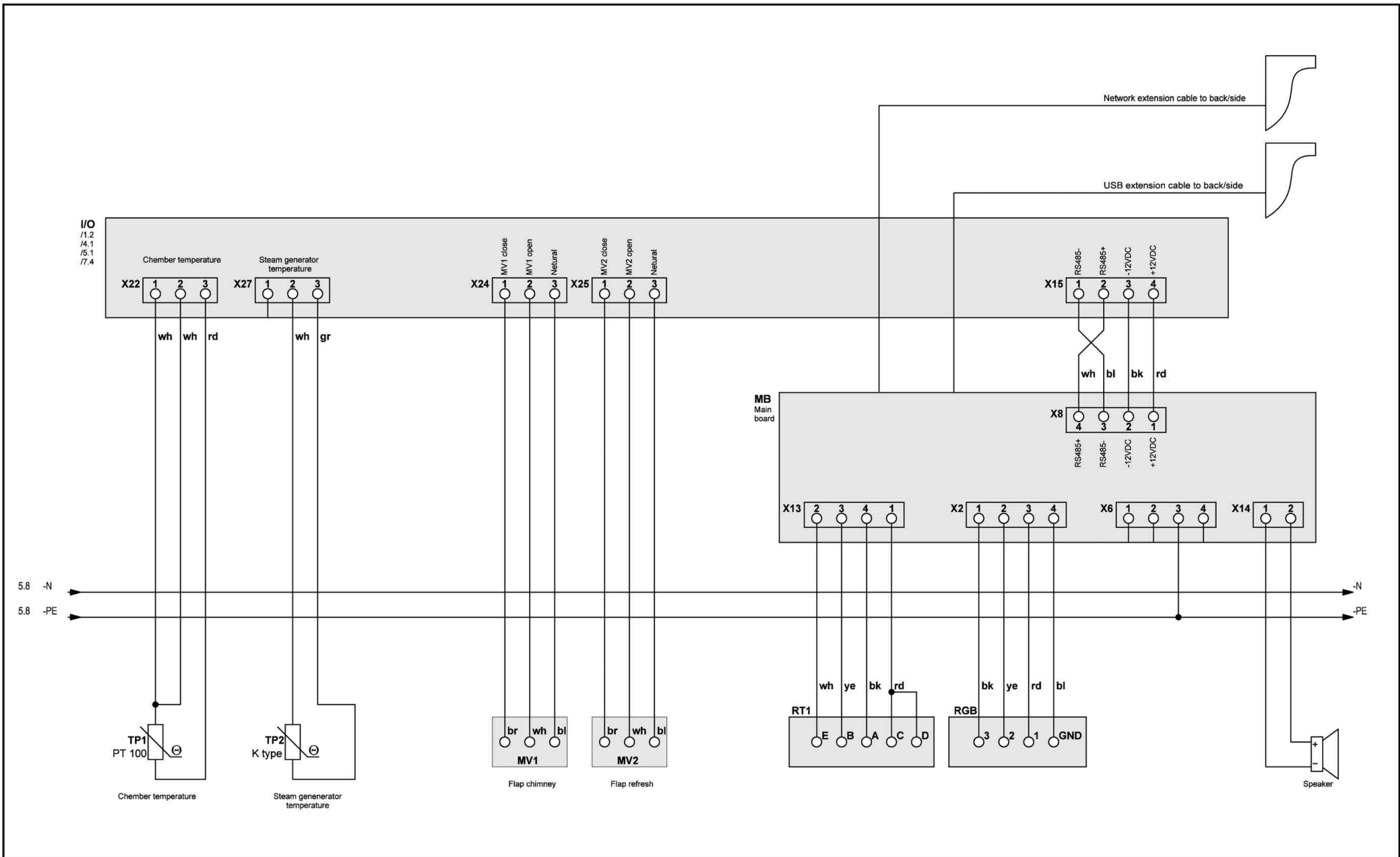
COLOUR CODE IEC 60757			
brown	bn	red	rd
black	bk	orange	or
grey	gy	violete	vt
blue	bl	turquoise	tq
green	gr	white	wh
yellow	ye	pink	pk



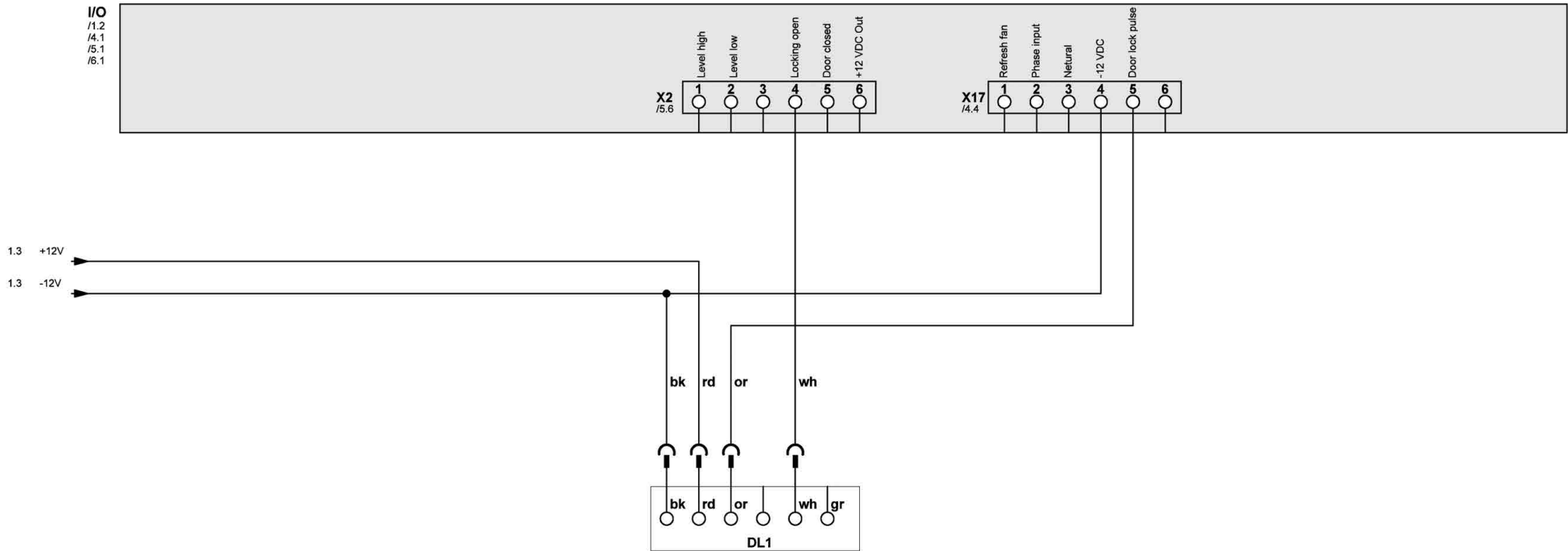




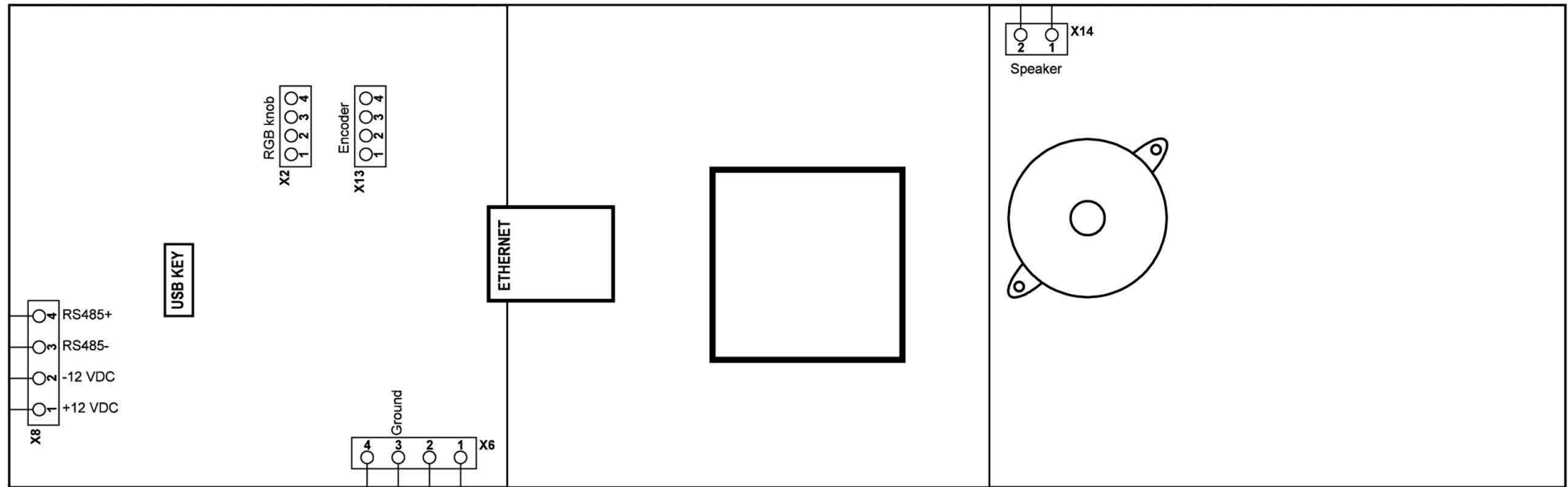




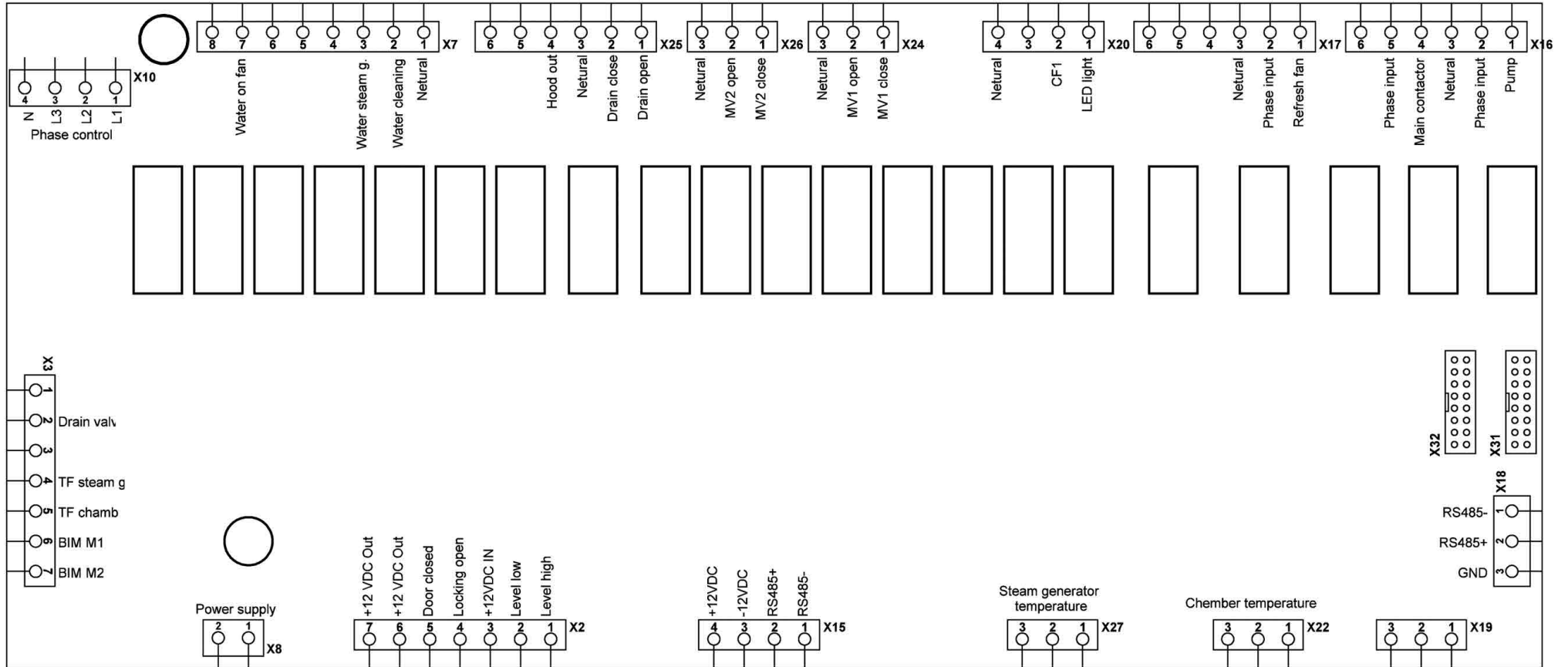
I/O
/1.2
/4.1
/5.1
/6.1



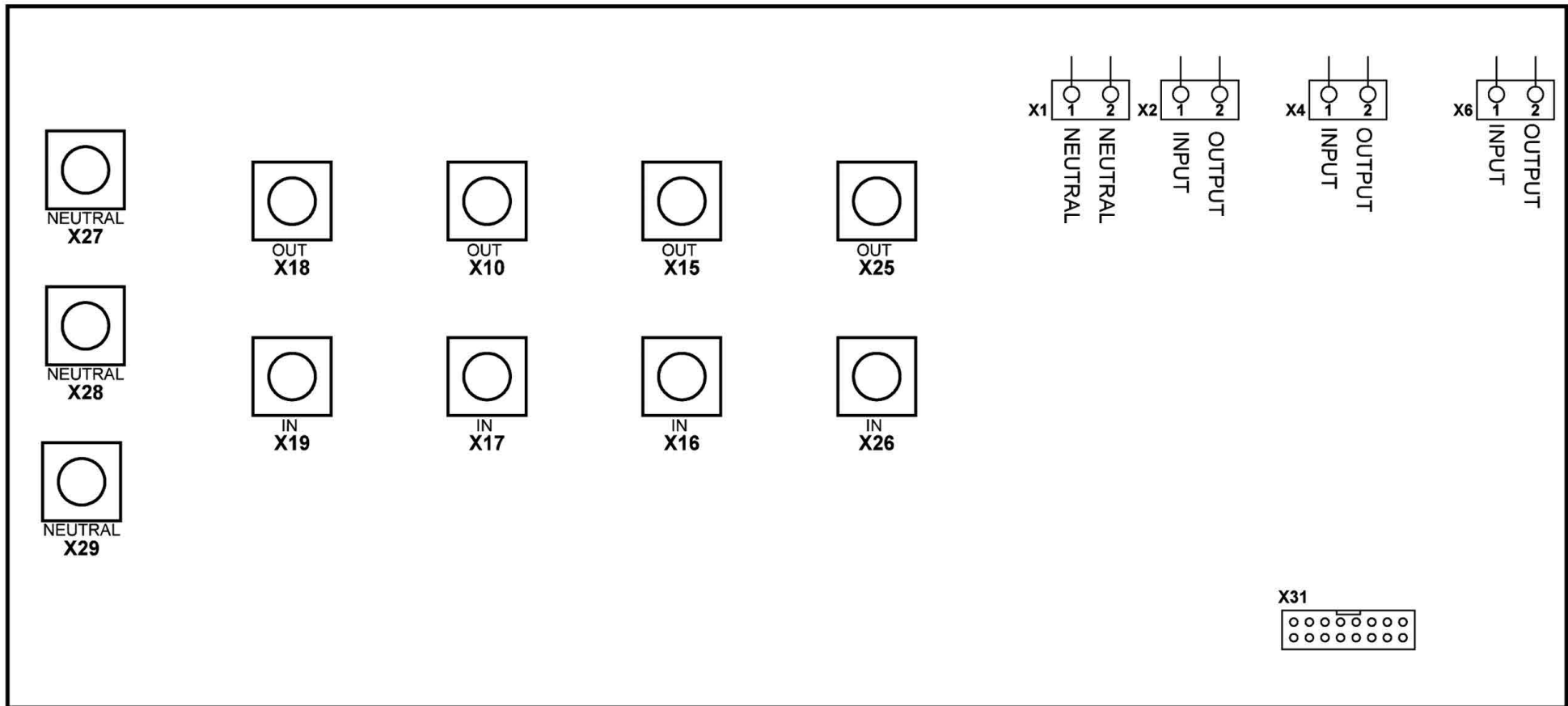
MAIN BOARD UL 004-10043



IO BOARD 004-10021



TRIAC BOARD 004-10020



MOTOR INVERTER 004-10012

