

LEGENDA	LEGEND	LEGENDE	LEGENDE
B ₂	INTERRUTTORE SCHALTER	INTERRUPTEUR SWITCH	
B _{1,3,4}	SELETTORE WAHLSCHALTER	SELECTEUR SELECTOR	
B ₅	SELETTORE WAHLSCHALTER	SELECTEUR SELECTOR	
L _{1,2,4}	SPA MACCHINA IN TENSIONE MACHINE LIVE WARNING LAMP	MASCHINE UNTER SPANNUNG-LAMPE LAMPE APPAREIL SOUS TENSION	
LA	SPA MACCHINA IN FUNZIONE MACHINE IN BETREB-LAMPE	LAMPE MACHINE EN FONCTION MACHINE ON WARNING LAMP	
LV	SPA MACCHINA IN TENSIONE MACHINE UNTER SPANNUNG-LAMPE	LAMPE APPAREIL SOUS TENSION MACHINE LIVE WARNING LAMP	
M	MOTORE MOTOR	MOTEUR MOTOR	
MO	MORSETTIERA KLEMMENBRETT	BOITE DE CONNECTION MAIN TERMINAL BOARD	
R _{1,2,4}	RESISTENZE HEIZUNGEN	RESISTANCES HEATERS	
R _{5,6}	RESISTENZE HEATERS	HEIZUNGEN RESISTANCES	
T	TERMOSTATO THERMOSTAT	THERMOSTAT THERMOSTAT	
TS	TERMOSTATO SICUREZZA SICHERHEITSTHERMOSTAT	THERMOSTAT DE SICURITE SAFETY THERMOSTAT	

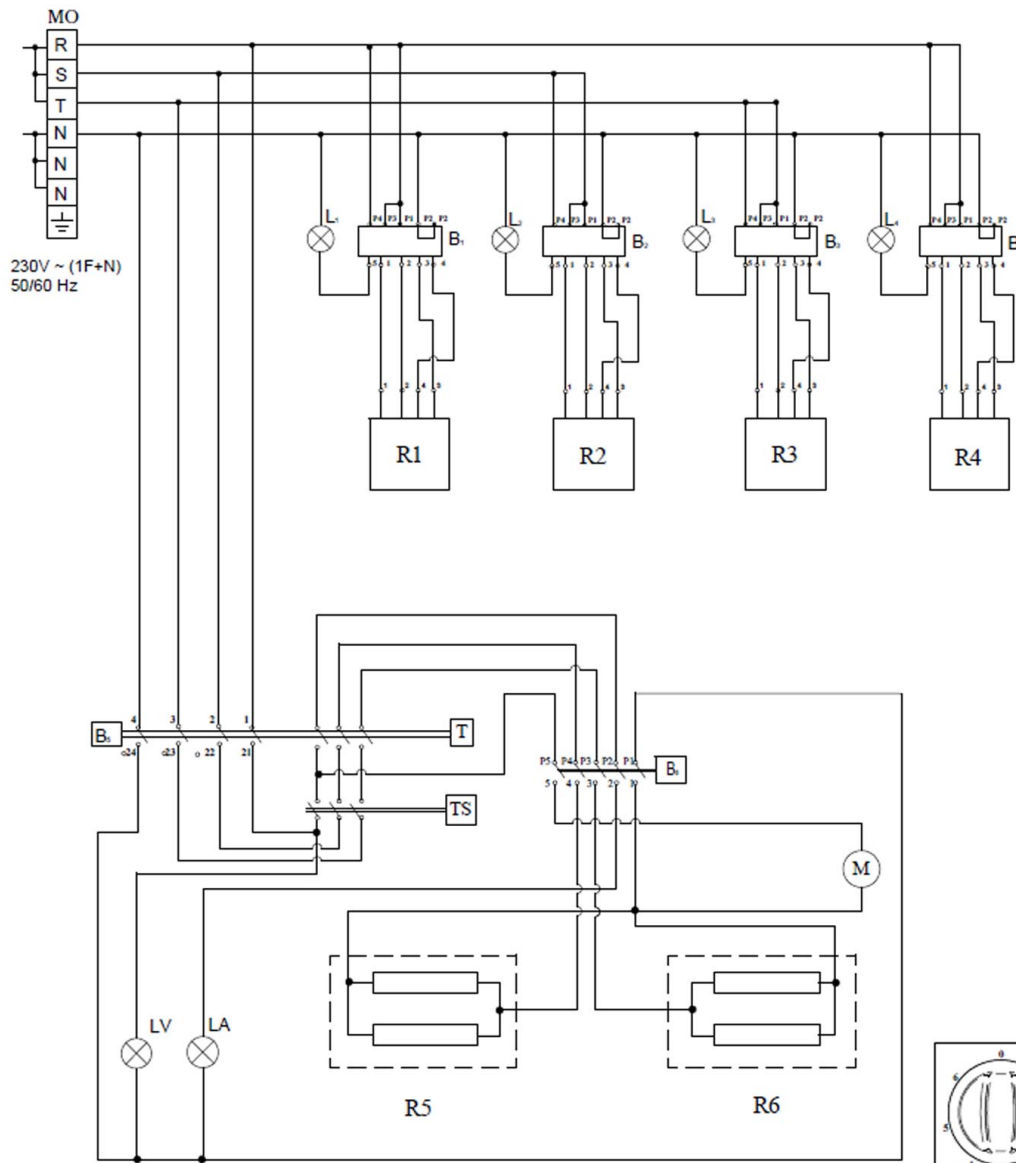
B1,B2,B3,B4							
posizione	0	6	5	4	3	2	1
POTENZA	0 kW	2.6 kW	1.75 kW	1.3 kW	0.45 kW	0.34 kW	0.24 kW

	POS. 0	POS. 1	POS. 2	POS. 3	POS. 4	POS. 5	POS. 6
	B6	OFF	R1+R2+M	R1+R2	R2+M	R2	R1+M



4 Platten Elektroherd mit
Elektro-Umluftbackofen 1/1 GN
Artikel-Nr.: 286.224W

Schaltplan
07.02.2013



LEGENDA	LEGEND	LEGENDE	LEGENDE
B ₅	INTERRUTTORE SCHALTER	INTERRUPTEUR SWITCH	
B _{1,2,3,4}	SELETTORE WAHLSCHALTER	SELECTEUR SELECTOR	
B ₅	SELETTORE WAHLSCHALTER	SELECTEUR SELECTOR	
L _{1,2,3,4}	SIPA MACCHINA IN TENSIONE MACHINE LIVE WARNING LAMP	MACHINE UNDER SPANNUNG-LAMPE LAMPE APPAREIL SOUS TENSION	
LA	SIPA MACCHINA IN FUNZIONE MACHINE IN BETREBLAMPE	LAMPE MACHINE EN FONCTION MACHINE ON WARNING LAMP	
LV	SIPA MACCHINA IN TENSIONE MACHINE UNDER SPANNUNG-LAMPE	LAMPE APPAREIL SOUS TENSION MACHINE LIVE WARNING LAMP	
M	MOTORE MOTOR	MOTEUR MOTOR	
MO	MORSETTIERA KLEMMENBRETT	BOITE DE CONNECTION MAIN TERMINAL BOARD	
R _{1,2,3,4}	RESISTENZE HEIZUNGEN	RESISTANCES HEATERS	
R _{5,6}	RESISTENZE HEATERS	HEIZUNGEN RESISTANCES	
T	TERMOSTATO THERMOSTAT	THERMOSTAT THERMOSTAT	
TS	TERMOSTATO SICUREZZA SICHERHEITSTHERMOSTAT	THERMOSTAT DE SECURITE SAFETY THERMOSTAT	

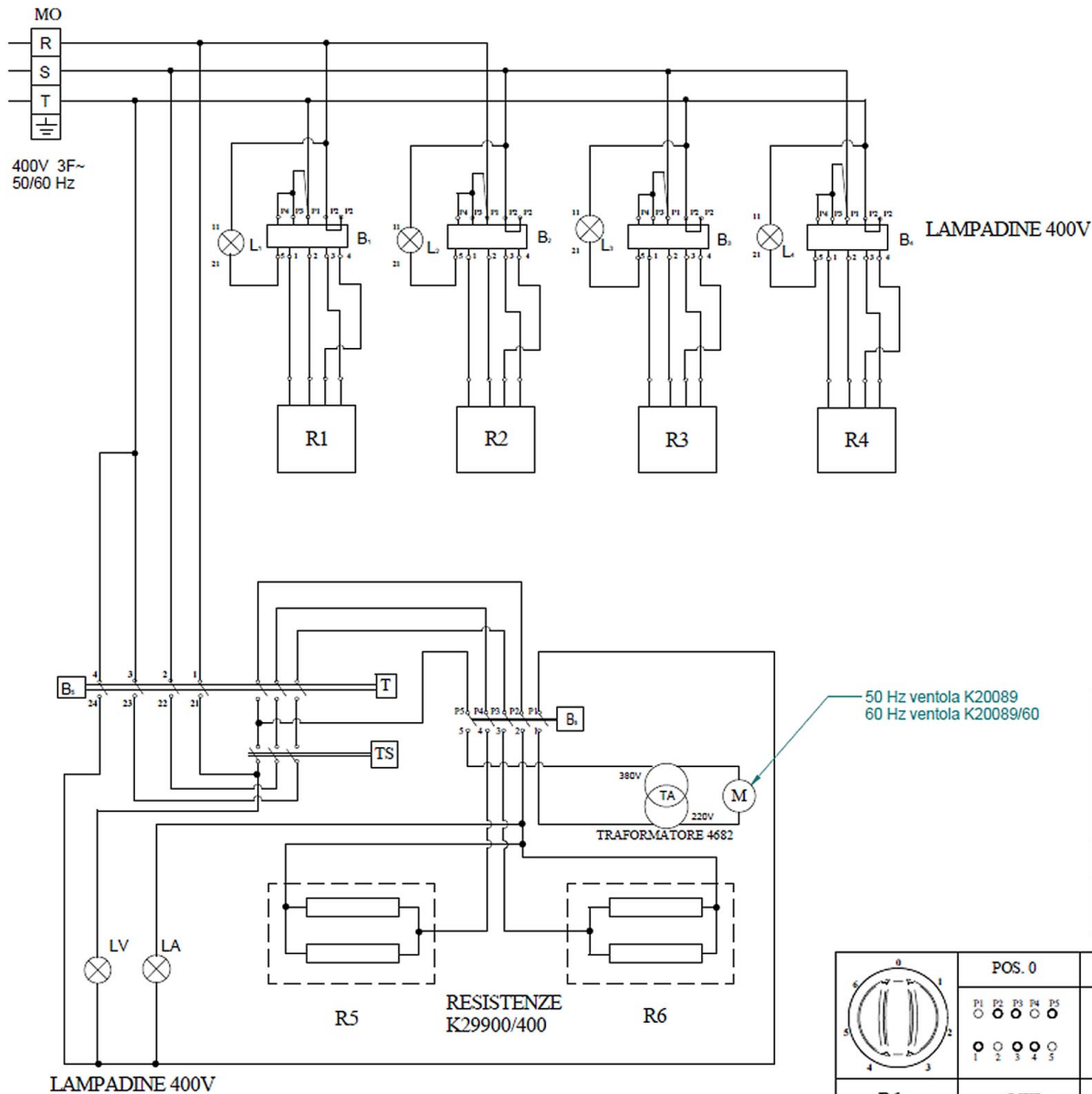
B1,B2,B3,B4							
posizione	0	6	5	4	3	2	1
POTENZA	0 kW	2.6 kW	1.75 kW	1.3 kW	0.45 kW	0.34 kW	0.24 kW

	POS. 0	POS. 1	POS. 2	POS. 3	POS. 4	POS. 5	POS. 6
B6	OFF	R1+R2+M	R1+R2	R2+M	R2	R1+M	R1.



4 Platten Elektroherd mit
Elektro-Umluftbackofen 1/1 GN
Artikel-Nr.: 286.224W

Schaltplan
07.02.2013



LEGENDA	LEGEND	LEGENDE	LEGENDE
B _s	INTERRUTTORE SCHALTER	INTERRUPTEUR SWITCH	
B _{1,2,3,4}	SELETTORE WAHLSCHALTER	SELECTEUR SELECTEUR	
B _s	SELETTORE WAHLSCHALTER	SELECTEUR SELECTEUR	
L _{1,2,3,4}	SPA MACCHINA IN TENSIONE MACHINE LIVE WARNING LAMP	MACHINE UNDER SPANNUNG-LAMPE LAMPE APPAREIL SOUS TENSION	
LA	SPA MACCHINA IN FUNZIONE MACHINE IN BETRIEB-LAMPE	LAMPE MACHINE EN FONCTION MACHINE ON WARNING LAMP	
LV	SPA MACCHINA IN TENSIONE MACHINE UNDER SPANNUNG-LAMPE	LAMPE APPAREIL SOUS TENSION MACHINE LIVE WARNING LAMP	
M	MOTORE MOTOR	MOTEUR MOTOR	
MO	MORSETTIERA KLEMMENBRETT	BOITE DE CONNECTION MAIN TERMINAL BOARD	
R _{1,2,3,4}	RESISTENZE HEIZUNGEN	RESISTANCES HEATERS	
R _{5,6}	RESISTENZE HEIZUNGEN	RESISTANCES RESISTANCES	
T	TERMOSTATO THERMOSTAT	THERMOSTAT THERMOSTAT	
TA	TRASFORMATORE TRANSFORMATOR	TRANSFORMATEUR TRANSFORMATOR	
TS	TERMOSTATO SICUREZZA SICHERHEITSTHERMOSTAT	THERMOSTAT DE SICURETE SAFETY THERMOSTAT	

50 Hz ventola K20089
60 Hz ventola K20089/60

B1,B2,B3,B4							
posizione	0	6	5	4	3	2	1
POTENZA	0 kW	2.6 kW	1.75 kW	1.3 kW	0.45 kW	0.34 kW	0.24 kW

B6							
POS. 0	POS. 1	POS. 2	POS. 3	POS. 4	POS. 5	POS. 6	
OFF	R1+R2+M	R1+R2	R2+M	R2	R1+M	R1.	