



A370031 / GDP 320E



A370032 / GDP 650E



370035 / GDP 320E



370036 / GDP 650E

ENGLISH

Table of contents

1. Safety 20
1.1 Safety instructions 20
1.2 Key to symbols 23
1.3 Proper use 24

2. General information 25
2.1 Liability and Warrantees 25
2.2 Copyright protection 25
2.3 Declaration of conformity 25

3. Transport, packaging and storage 26
3.1 Delivery check 26
3.2 Packaging 26
3.3 Storage 26

4. Technical data 27
4.1 Overview of parts 27
4.2 Technical specification 29

5. Installation and operation 31
5.1 Installation 31
5.2 Operation 33

6. Cleaning and maintenance 35

7. Waste disposal 36

Bartscher GmbH
Franz-Kleine-Str. 28
D-33154 Salzkotten
Germany

phone: +49 (0) 5258 971-0
fax: +49 (0) 5258 971-120



Read this instruction manual before using and keep them available at all times!

This instruction manual contains information about the installation, operation and maintenance of the device and should be consulted as an important source of information and reference guide.

Awareness of the safety instructions and instructions for use in this manual will ensure the safe and correct use of the device.

In addition to the information given here, you should comply with any local Health and safety Controls and generally applicable safety regulations.

The instruction manual forms part of the product and should be kept near the device and easily accessible for anyone carrying out the installation, servicing, maintenance or cleaning.

Please keep these instructions and give them to future owners of the device.

1. Safety

This device is designed in accordance with the presently applicable technological standards. However, the device can pose a danger if handled improperly and inappropriately.

All persons using the device must follow the recommendations and instructions in this instruction manual.

1.1 Safety instructions

- The device is not intended for use by individuals (including children) with physical or mental disabilities, insufficient experience, and/or insufficient knowledge unless such persons are under the care of a person responsible for their safety or have received instructions regarding appropriate use of the device.
- Children should be observed to ensure that they are not playing with the device.
- **Never** leave the device unattended when in use.
- Only use the device indoors.
- The device is not adapted for use with an external timer or remote control.
- This device may only be operated in technically proper and safe condition.

- Prevent access of children to the package materials like plastic bags and foamed polystyrene elements. **Suffocation hazard!**
- Only a qualified technician and using original spare parts and accessories should carry out repairs and maintenance of the device. **Do not attempt to repair the device yourself.**
- Do not use any accessory or spare parts that have not been recommended by the manufacturer. These can be dangerous for the user or lead to damages of the device or personal injury, and further, the warranty expires.
- To prevent hazards and to ensure optimum efficiency, no modifications or alterations to the device that are not explicitly approved by the manufacturer may be undertaken.



DANGER! Electric shock hazard!

To avoid the hazard results please follow the safety instructions below.

- Never allow the power cable to come into contact with heat sources or sharp edges. The power cable should not hang over the side of the working surface. Ensure that no one can step on or trip over the cable.
- The power cable must not be folded, bent or tangled, and must always remain fully unrolled. Never place the device or other objects on the power cable.
- Do not lay the power cable over carpets or other inflammable materials. Do not cover the cable. Keep away the cable from operating range and do not immerse it into water.
- Check the power cord regularly for damage. Do not use the appliance if the power cord is damaged. If this cable is damaged, it must be replaced by customer service or a qualified electrician in order to avoid dangers.

- The supply cable must be disconnected from the socket only by pulling the plug.
- Never carry or lift the device by the supply cable.
- In any case do not open the device housing. In case of electrical or mechanical modifications the **electric shock hazard** will occur.
- Never immerse the appliance, the power cord and the power plug in water or other liquids.
- Do not use any acid agents and make sure no water ingresses the device.
- **Never** operate the device with moist hands or standing on wet floor.
- Remove the plug from its socket:
 - when the device is not used,
 - in case of anomalies during operation,
 - before cleaning.



HOT SURFACE! Burn hazard!

Follow the safety instructions listed in order to avoid the hazard:

- During the operation, the body of the device and heating zones become very hot. Do not touch them with bare hands. Use appropriate kitchen utensils to place and remove food products from it.
- Also after switching off, the device remains hot for some time. Before cleaning or moving it to another place wait until the device cools down first.
- **Never** move this appliance during operation.



WARNING! Fire or explosion hazard!

Follow the safety instructions listed in order to avoid the hazard:

- In order to avoid risk of fire and damage to the device, **never** place kitchen utensils, towels, paper and the like on the grill plate during operation.
- **Never** operate the device near combustible, easily flammable materials (e.g. petrol, spirit, alcohol etc.). They evaporate through heating and in case of contact with ignition sources deflagrations can occur which can lead to serious personal injuries and property damages.
- When a fire arises disconnect it from the power supply before you initiate appropriate measures for fire-fighting. Provide sufficient supply of fresh air.

Caution: Never extinguish the fire with water when the power plug is connected to the socket. **Electric shock hazard!**

1.2 Key to symbols

In this manual, symbols are used to highlight important safety instructions and any advice relating to the device. The instructions should be followed very carefully to avoid any risk of accident, personal injury or material damage.



WARNING!

This symbol highlights hazards which could lead to injury.



WARNING!

This symbol highlights dangerous situations which could lead to injury or death.



HOT SURFACE!

This symbol is a warning that the device surface is hot when in use. Ignoring this warning may result in burns!



CAUTION!

This symbol highlights dangerous situations which could lead to light injuries, or damage, malfunction, and/or destruction of the device.



NOTE!

This symbol highlights recommendations and information aimed for effective and trouble-free device operation.

1.3 Proper use



CAUTION!

The device has been designed and built for commercial use and should be operated only by qualified personnel in kitchen facilities.

The operational safety of the device is assured only in case of proper use, according to the operation manual.

All technical activities like installation and maintenance must be performed by the qualified service personnel only.

The griddle plate is designed only for grilling and heating appropriate food products.



CAUTION!

Any use going beyond the intended purpose and/or any different use of the device is forbidden and is not considered as conventional.

Any claims against the manufacturer or his authorized representative as a consequence of experiencing damages resulting from unconventional use are impossible.

The operator is liable for all damages resulting from inappropriate use.

2. General information

2.1 Liability and Warrantees

All the information and instructions in this manual take into account standard safety regulations, current levels of technical engineering as well as the expertise and experience we have developed over the years.

The instruction manual was translated with all due care and attention. However, we do not accept liability for any translation errors. The German version of this instruction manual is definitive.

If the delivery consists of a special model, the actual scope of delivery may differ from the descriptions and illustrations in this manual. This is also the case for special orders or when the device has been modified in line with new technology.



CAUTION!

Read this manual carefully and thoroughly before any operation of the device, and especially before turning it on!

Manufacturer **is not liable** for any damages or faults caused by:

- violation of advice concerning operation and cleaning;
- use other than designed;
- alterations made by user;
- use of inadequate spare parts.

We reserve the right to make technical changes for purposes of developing and improving the useful properties.

2.2 Copyright protection

The instruction manual including any texts, drawings, images or other illustrations is copyright. No part of this publication may be reproduced, transmitted or used in any form or by any means without permission in writing from the manufacturer. Any person who commits any unauthorized act in relation to this publication shall be liable to claims for damages. All rights reserved.



NOTE!

The contents, texts, drawings, pictures and any other illustrations are copyright and subject to other protection rights. Any person unlawfully using this publication is liable to criminal prosecution.

2.3 Declaration of conformity



The device complies with the current standards and directives of the EU. We certify this in the EC declaration of conformity. If required we will be glad to send you the according declaration of conformity.

3. Transport, packaging and storage

3.1 Delivery check

Please check the delivery upon completeness and transport damage immediately after receipt. In case of visible damage do not accept or accept the delivery with reservation only.

Note the extent of damage on the carrier's bill of delivery. Trigger off the complaint.

Hidden damages should be reclaimed immediately after notice, as claims for damages can only be asserted within the effective period for complaints.

3.2 Packaging

Please do not throw away the covering carton of your device as it might be useful for storage purposes, when moving or, in case of damages, when the device must be sent back to a repair center. The outer and inner packing material should be removed completely from the device before installation.



NOTE!

If you liked to dispose the packing, consider the regulations applicable in your country. Supply re-usable packing materials to the recycling.

Please inspect the device upon completeness. In case any part is missing please contact our customer service center immediately.

3.3 Storage

Keep the package closed until installation and under consideration of the outside indicated positioning- and storage markings.

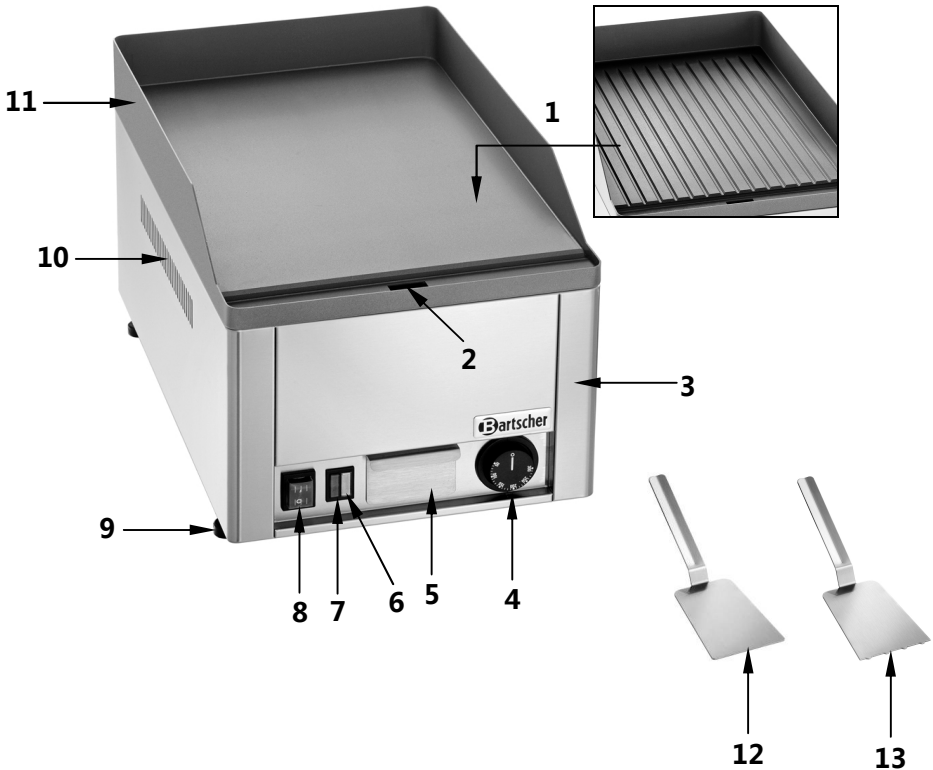
Packages should be stored under consideration of the following:

- Do not store outdoors.
- Keep it dry and dust-free.
- Do not expose it to aggressive media.
- Do not expose it to direct sunlight.
- Avoid mechanical shocks and vibration.
- In case of longer storage (> 3 months) make sure you check the state of the packaging and the parts regularly.
If required refresh or renew.

4. Technical data

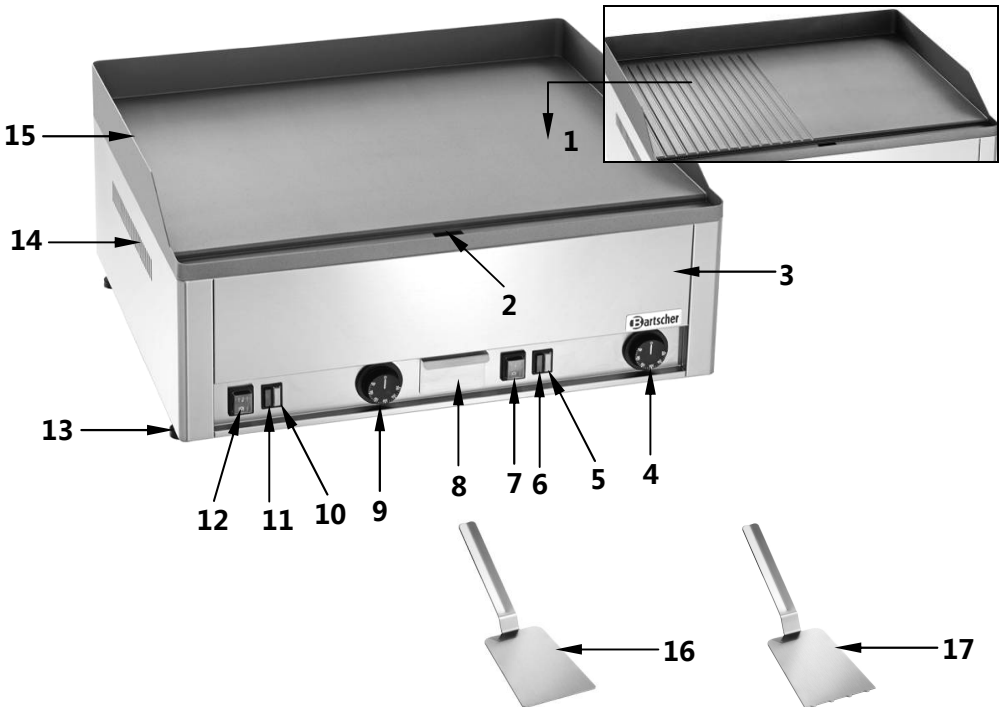
4.1 Overview of parts

A370031 / 370035



- | | |
|--|--|
| 1 Heating zone (plain or grooved) | 8 ON/OFF switch |
| 2 Fat drip hole | 9 Plastic feet (4), height adjustable |
| 3 Body | 10 Ventilation holes |
| 4 Temperature regulator | 11 Splash guard |
| 5 Fat drip tray, removable | 12 Scraper for plain surface |
| 6 Power indicator (green) | 13 Scraper for grooved surface |
| 7 Heating indicator (orange) | |

A370032 / 370036



- 1** Heating zone (plain or grooved)
- 2** Fat drip hole
- 3** Body
- 4** Temperature regulator of the right heating zone
- 5** Power indicator of the right heating zone (green)
- 6** Heating indicator of the right heating zone (orange)
- 7** **ON/OFF** switch of the right heating zone
- 8** Fat drip tray, removable
- 9** Temperature regulator of the left heating zone

- 10** Power indicator of the left heating zone (green)
- 11** Heating indicator of the left heating zone (orange)
- 12** **ON/OFF** switch of the left heating zone
- 13** Plastic feet (4), height adjustable
- 14** Ventilation holes
- 15** Splash guard
- 16** Scraper for plain surface
- 17** Scraper for grooved surface

4.2 Technical specification

| | |
|--------------------|---|
| Name | Electric griddle plate GDP 320E, plain |
| Code-No.: | A370031 |
| Material: | body: chrome-nickel steel 18/10; die-cast griddle plate, plain |
| Power | 3 kW / 230V 50 Hz |
| Temperature range: | 50 °C - 300 °C |
| Dimensions: | W 325 x D 540 x H 295 mm |
| Heating zone size: | W 320 x D 480 mm |
| Weight: | 22.0 kg |
| Accessories: | 1 scraper for plain surface |

| | |
|--------------------|---|
| Name | Electric griddle plate GDP 650E, plain |
| Code-No.: | A370032 |
| Material: | body: chrome-nickel steel 18/10; die-cast griddle plate, plain |
| Power | 6 kW / 400V 50 Hz |
| Temperature range: | 50 °C - 300 °C |
| Dimensions: | W 660 x D 540 x H 295 mm |
| Heating zone size: | W 650 x D 480 mm |
| Weight: | 41.0 kg |
| Accessories: | 1 scraper for plain surface |

| | |
|--------------------|--|
| Name | Electric griddle plate GDP 320E, grooved |
| Code-No.: | 370035 |
| Material: | body: chrome-nickel steel 18/10; die-cast griddle plates, grooved |
| Power | 3.0 kW / 230V 50 Hz |
| Temperature range: | 50 °C - 300 °C |
| Dimensions: | W 325 x D 540 x H 295 mm |
| Heating zone size: | W 650 x D 480 mm |
| Weight: | 21.15 kg |
| Accessories: | 1 scraper for cleaning grooved surface |

| | |
|--------------------|---|
| Nazwa | Electric griddle plate GDP 650E, plain / grooved |
| Code-No.: | A370036 |
| Material: | body: chrome-nickel steel 18/10; die-cast griddle plates, plain / grooved |
| Power | 6 kW / 400V 50 Hz |
| Temperature range: | 50 °C - 300 °C |
| Dimensions: | W 660 x D 540 x H 295 mm |
| Heating zone size: | W 650 x D 480 mm |
| Weight: | 40.0 kg |
| Accessories: | 1 scraper for cleaning plain surface, 1 scraper for cleaning grooved surface |

We reserve the right to make technical changes!

5. Installation and operation

5.1 Installation



CAUTION!

Any installation, connection and maintenance work related to the device must be performed by the qualified and certified technician in accordance with the applicable international, national and local regulations.

Positioning

- Unpack the device and discard the entire packaging material according to the regulations valid in the country of installation.
- Place the device in a well ventilated room or under the ventilating hood to efficiently remove vapours produced when cooking dishes.
- Place the device on an even, stable, dry and waterproof and heat-resistant surface.
- **Never** place the device on an inflammable surface.
- **Never** place the device in wet or damp locations.
- Place the device so that it is easily accessible, leaving enough space to freely service the device and ensure appropriate air circulation.
- **Never** place the device directly against walls, low walls, furniture or other objects which are made of flammable material. Keep a distance of at least 10 cm at the sides and at the rear from walls and other objects. Take into account the applicable fire protection regulations.
- If keeping the above mentioned distance is impossible, apply appropriate safety measures (e.g. heat-resistant foil), which will ensure keeping the wall's temperature within the safe range.
- Before the first use, remove the protective foil from the device. Remove the foil slowly not to leave glue residues. Remove possible glue residues with appropriate solvent.



CAUTION!

Never remove the type plate and warning signs from the device.

Connection




DANGER! Electric shock hazard!

The device can cause injuries due to improper installation! Before installation and connecting the local power grid specification should be compared with that of the device (see rating plate). Connect the device only in case of compliance!

- Before connecting the power supply to the device, the local power grid specification should be compared with the value of voltage and frequency on the type plate.
Permissible voltage tolerance is $\pm 10\%$.
- Make sure that there is a power connection available which is consistent with the applicable regulations. During the connection to the electrical installation, use the cable with sufficient cross-section.
- A multipolar switch must be switched on between the device and the electrical installation, appropriate for the device's power. The switch with at least 3 mm opening must be easily accessible.
- Connection to the power supply installation must comply with the applicable international, national and local regulations.
- **A370031** and **370035** devices are equipped with **a power cord with the plug** (single phase 230V). To connect the device to the power supply, connect the plug to a grounded socket with a safety contact.
- Place the devices so that the plug is easily accessible and can be quickly removed from its socket if necessary.
- The electrical circuit in the socket must be secured to at least 16A. Connect the device only to the wall socket; do not use any extension cords or power strips.

Equipotential bonding connection

- Connection of equipotential bonding installation between different devices should be carried out through a terminal marked with  symbol.
The terminal is located at the back of the device.
- This terminal allows for connecting an equipotential bonding conductor (yellow-green) with a cross-section from 4 to 10 mm².
- The device must be connected to the equipotential bonding circuit the effectiveness of which corresponds to the recommendations included in the applicable regulations.

5.2 Operation

Preparation of the device

- Before the first use, clean the device thoroughly according to the instructions included in **section 6 "Cleaning and maintenance"**.
- After cleaning, wipe the heating zone with a cloth soaked with vegetable oil.
- After cleaning, re-insert the fat drip tray in the device.



CAUTION!

Never operate the appliance without the fat collecting pan inserted properly.

Starting the device

- Connect the device to the electrical socket.
- Turn the device on by setting the **ON/OFF** switch in „I” position. The green power indicator will come on.
- By turning the temperature regulator knob, set the desired temperature in the range from 50 °C to 300 °C. The orange heating indicator will come on and will remain on until the set temperature is reached. The orange heating indicator goes off after the set temperature has been reached.
- Heating zones of **A370032** and **370036** devices are divided into two halves. They may be turned on separately and work with different temperature settings.

Preparation of food

- Warm the heating zones up to the temperature selected for specific dishes.
- Prepare food products for grilling. Place the food on heating zones.
- During grilling, fat and other residues flow down through the drain hole to the fat drip tray.



HOT SURFACE! Risk of burns!

Heating zone becomes hot very fast and remains hot for some time after turning the device off.

To avoid burns, do not touch the heating zones with bare hands during the operation and directly afterwards. Use appropriate grill utensils for placing and removing grilled food from the device!

- For placing and removing grilled food, use your favourite grill utensils (tongs, forks, etc.)



WARNING!

To avoid fire hazard and damaging the device, never place kitchen utensils, towels, paper, etc. on the heating surface during the operation. Do not place plastic and other cookware on the heating surface.

- Regularly check the fat drip tray.
- After the work and when the device cooled off, empty the fat drip tray. Remember that during the operation and directly afterwards, the tray is very hot. Wait until the device cools off, otherwise there is a **risk of burning!**
- After the end of work, set the temperature regulator to „0“ position, and **ON/OFF** switch to „O“ position and disconnect the device from the power supply.

6. Cleaning and maintenance



WARNING!

Before cleaning the device, turn the device off with ON/OFF switch and disconnect it from the power supply.

Wait until the device cools off.

The device is not suited for direct washing via water jets.

Therefore, you must not use any kind of pressure water jet for cleaning the device!

Make sure that no water gets into the device.

Cleaning of the device

- Before cleaning, wait until the device cools off.
- Use only a soft cloth. Never use abrasive cleaning agents that could scratch the surface of the device.
- Using the supplied scraper or sponge remove the residues from the surface of the heating zone. Clean the **heating zones** with soft cloth with neutral cleaning agent. Wipe with a cloth with clean water.
- Remove the **fat drip tray** from the device, empty it and clean with a mild cleaning agent and soft cloth or sponge. Rinse with clean water and dry thoroughly before reinserting it into the device.
- Regularly clean the **body** and **control elements** of the device with soft cloth soaked with warm water with a mild cleaning agent.
- Dry thoroughly all the cleaned surfaces.

Maintenance

- We recommend entrusting the maintenance of the device to the expert technical service at least once a year. The work which interferes with the device may be performed only by the qualified personnel.

Storage

- If the device is not used for any lengthy period, clean it according to the aforementioned description and store it in dry, clean place protected against cold, sun and children. Do not place any heavy objects on the device.

7. Waste disposal

Discarding old devices

At the end of its service life the discarded device has to be disposed in accordance with the national regulations. It is advisable to contact a company which is specialized in waste disposal, or just contact the local disposal service in your community.



WARNING!

To exclude any abuse and the dangers involved make the waste device unfit for use before disposal. For that purpose disconnect device from mains supply and remove mains connection cable from the device.



CAUTION!



For the disposal of the device please consider and act according to the national and local rules and regulations.