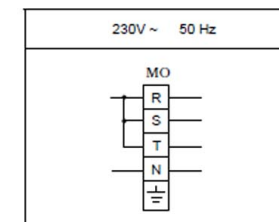
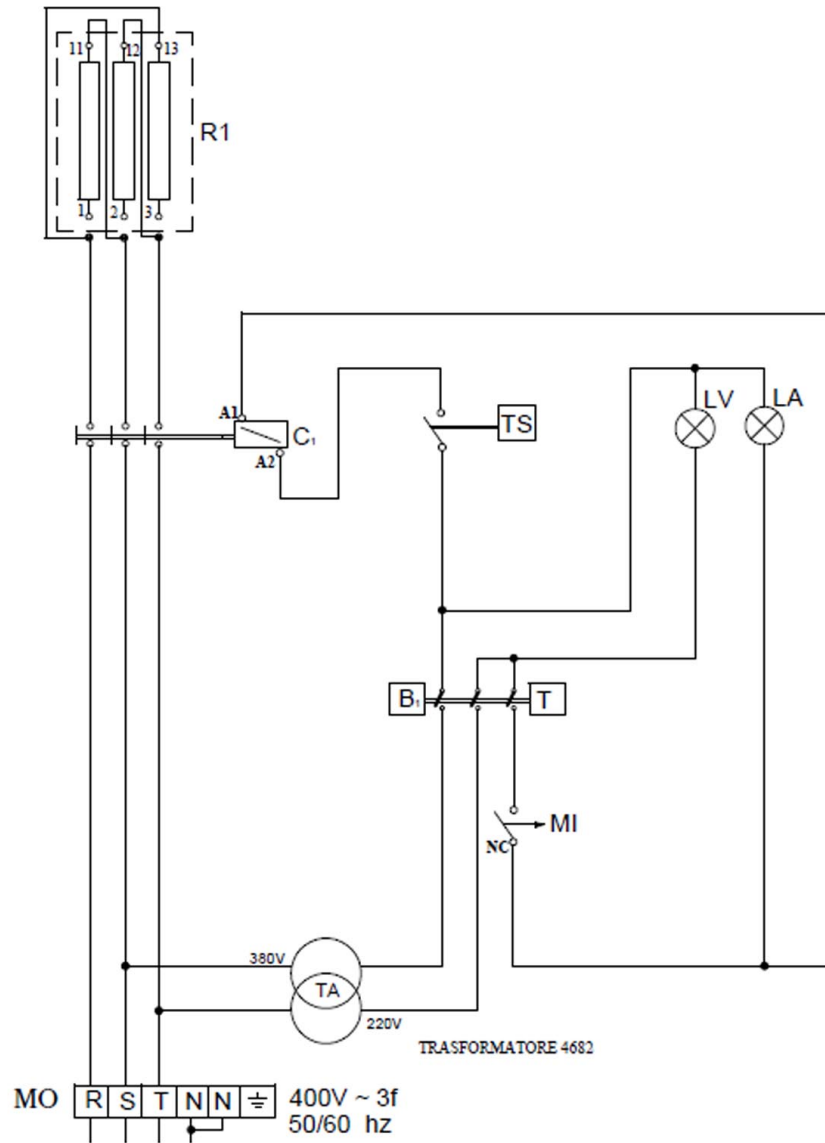


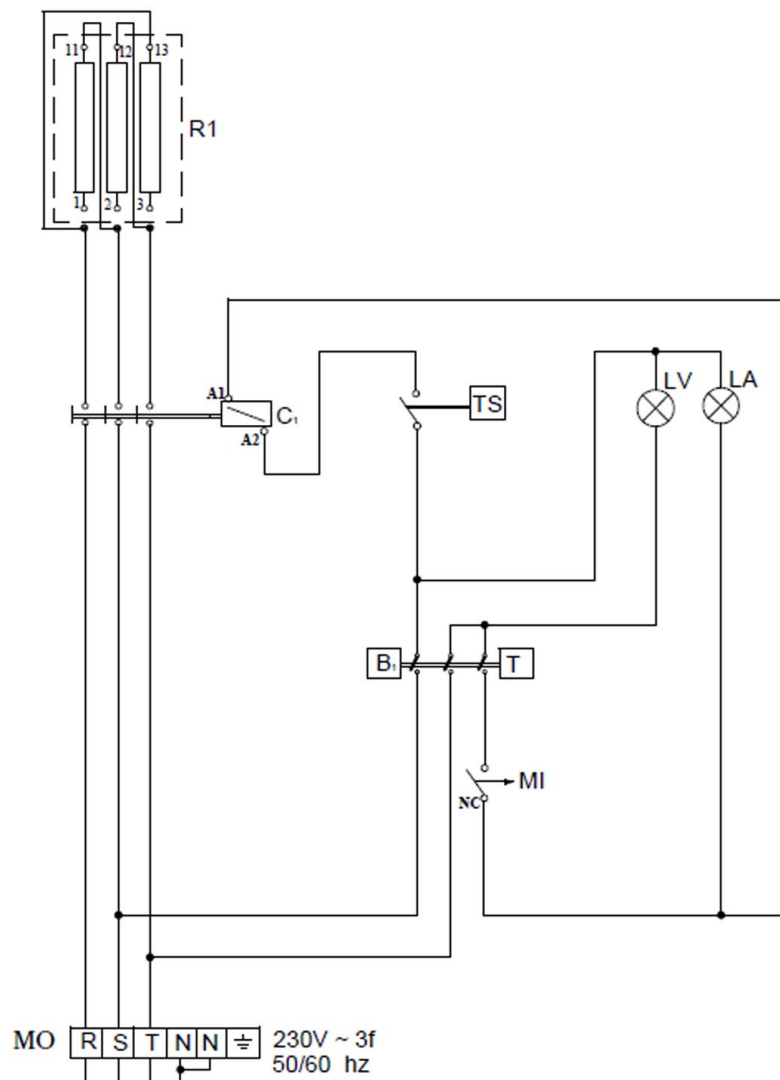
	LEGENDA	LEGEND	LEGENDE	LEGENDE
B1	SELETTORE ZYKLUSWAELSCHALTER	SELECTEUR SELECTOR		
C	CONTATTORE SCHALTSCHUTZ	CONTACTEUR CONTACTOR		
LV	SPIA MACCHINA IN TENSIONE MACHINE LIVE WARNING LAMP	MASCHINE UNTER SPANNUNG-LAMPE LAMPE APPAREIL SOUS TENSION		
LA	SPIA MACCHINA IN FUNZIONE MACHINE ON WARNING LAMP	MASCHINE IN BETRIEB-LAMPE LAMPE MACHINE EN FONCTION		
MI	MICROINTERRUPTOR TUER	MICROINTERRUPTEUR MICROSWITCH		
MO	MORSETTIERA MAIN TERMINAL BOARD	KLEMMENBRETT BOITE DE CONNECTION		
R	RESISTENZA VASCA TANKHEIZKOERPER	RESISTANCE CUVE TANK HEATER		
T	TERMOSTATO THERMOSTAT	THERMOSTAT THERMOSTAT		
TS	TERMOSTATO SICUREZZA SICHERHEITSTHERMOSTAT	THERMOSTAT DE SICURITE SAFETY THERMOSTAT		





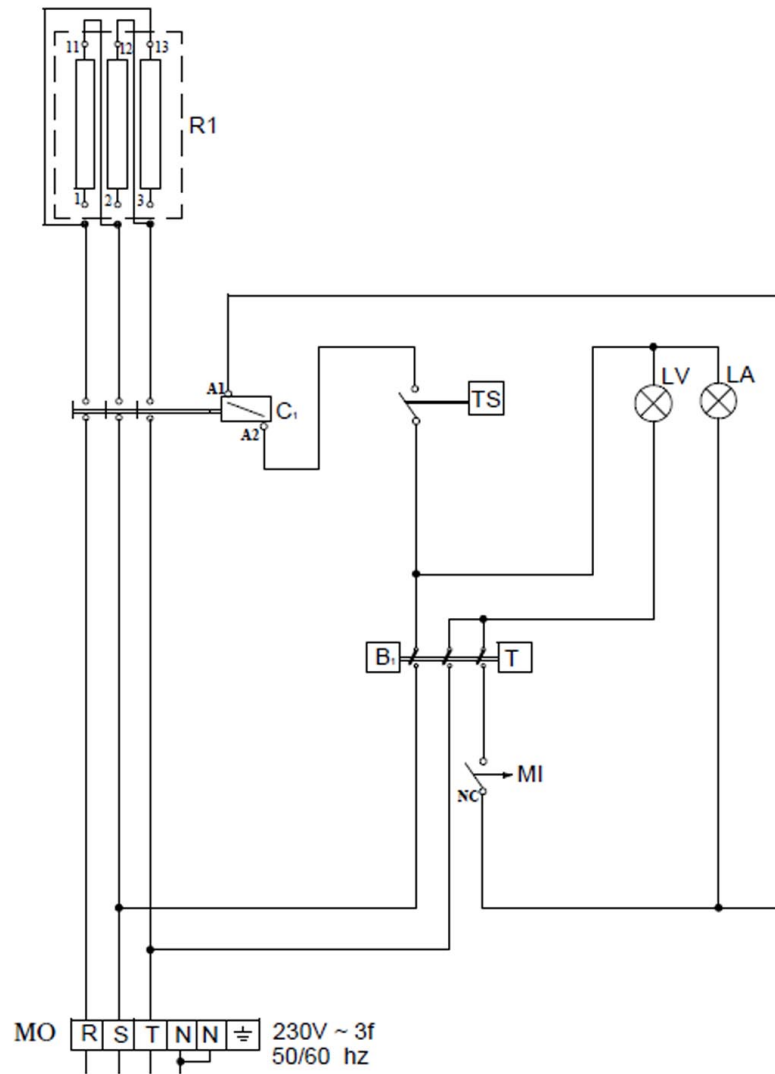
LEGENDA LEGEND LEGENDE LEGENDE

B1	SELETTORE ZYKLUSWAHLSCHALTER	SELECTEUR SELECTOR
C	CONTATTORE SCHALTSCHUTZ	CONTACTEUR CONTACTOR
LV	SPIA MACCHINA IN TENSIONE MACHINE LIVE WARNING LAMP	MASCHINE UNTER SPANNUNG-LAMPE LAMPE APPAREIL SOUS TENSION
LA	SPIA MACCHINA IN FUNZIONE MACHINE ON WARNING LAMP	MASCHINE IN BETRIEB-LAMPE LAMPE MACHINE EN FONCTION
MI	MICROINTERRUTTOR TUER	MICROINTERRUPTEUR MICROSWITCH
M0	MORSETTIERA MAIN TERMINAL BOARD	KLEMMENBRETT BOITE DE CONNECTION
R	RESISTENZA VASCA TANKHEIZKOERPER	RESISTANCE CUVE TANK HEATER
T	TERMOSTATO THERMOSTAT	THERMOSTAT THERMOSTAT
TS	TERMOSTATO SICUREZZA SICHERHEITSTHERMOSTAT	THERMOSTAT DE SICURITE SAFETY THERMOSTAT
TA	TRASFORMATORE TRANSFORMER	TRANSFORMATOR TRANSFORMATEUR



### LEGENDA LEGEND LEGENDE LEGENDE

B1	SELETTORE ZYKLUSWAHLSCHALTER	SELECTEUR SELECTOR
C	CONTATTORE SCHALTSCHUTZ	CONTACTEUR CONTACTOR
LV	SPIA MACCHINA IN TENSIONE MACHINE LIVE WARNING LAMP	MASCHINE UNTER SPANNUNG-LAMPE LAMPE APPAREIL SOUS TENSION
LA	SPIA MACCHINA IN FUNZIONE MACHINE ON WARNING LAMP	MASCHINE IN BETRIEB-LAMPE LAMPE MACHINE EN FONCTION
MI	MICROINTERRUTTOR TUER	MICROINTERRUPTEUR MICROSWITCH
MO	MORSETTIERA MAIN TERMINAL BOARD	KLEMMENBRETT BOITE DE CONNECTION
R	RESISTENZA VASCA TANKHEIZKOERPER	RESISTANCE CUVE TANK HEATER
T	TERMOSTATO THERMOSTAT	THERMOSTAT THERMOSTAT
TS	TERMOSTATO SICUREZZA SICHERHEITSTHERMOSTAT	THERMOSTAT DE SICURITE SAFETY THERMOSTAT



LEGENDA LEGEND LEGENDE LEGENDE		
B1	SELETTORE ZYKLUSWAHLSCHALTER	SELECTEUR SELECTOR
C	CONTATTORE SCHALTSCHUTZ	CONTACTEUR CONTACTOR
LV	SPIA MACCHINA IN TENSIONE MACHINE LIVE WARNING LAMP	MASCHINE UNTER SPANNUNG-LAMPE LAMPE APPAREIL SOUS TENSION
LA	SPIA MACCHINA IN FUNZIONE MACHINE ON WARNING LAMP	MASCHINE IN BETRIEB-LAMPE LAMPE MACHINE EN FONCTION
MI	MICROINTERRUTTOR TUER	MICROINTERRUPTEUR MICROSWITCH
MO	MORSETTIERA MAIN TERMINAL BOARD	KLEMMENBRETT BOITE DE CONNECTION
R	RESISTENZA VASCA TANKHEIZKOERPER	RESISTANCE CUVE TANK HEATER
T	TERMOSTATO THERMOSTAT	THERMOSTAT THERMOSTAT
TS	TERMOSTATO SICUREZZA SICHERHEITSTHERMOSTAT	THERMOSTAT DE SICURITE SAFETY THERMOSTAT