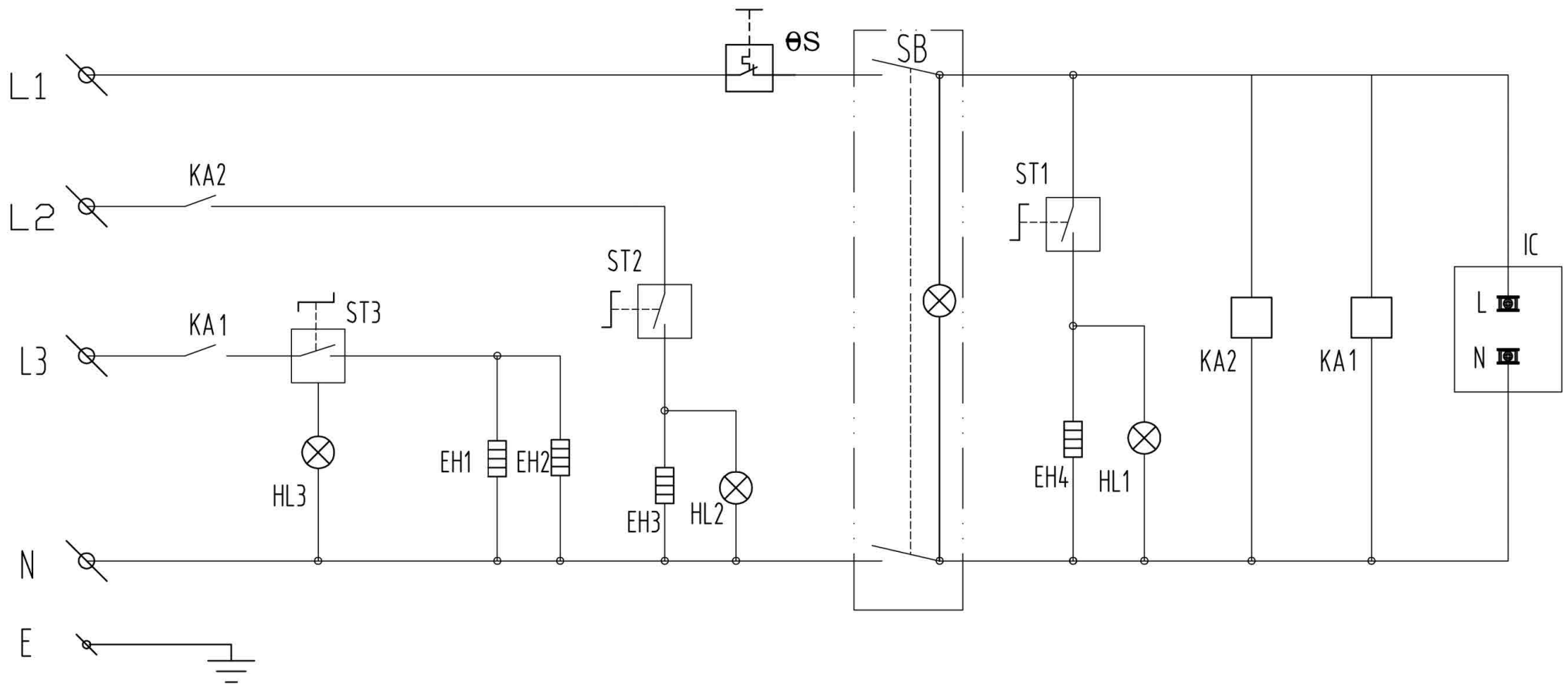


TG-1

400V~50Hz, 6640W



SB---POWER SWITCH ST1, ST2---THERMOSTAT ST3---ENERGY REGULATOR
 IC---TIMER PCB HL1-HL3---WORKING INDICATOR EH1-EH4---HEATING ELEMENT
 KA1/KA2---RELAY θs---TEMPERATURE LIMITER