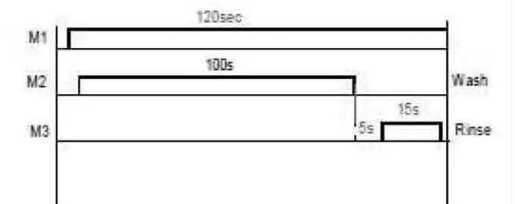
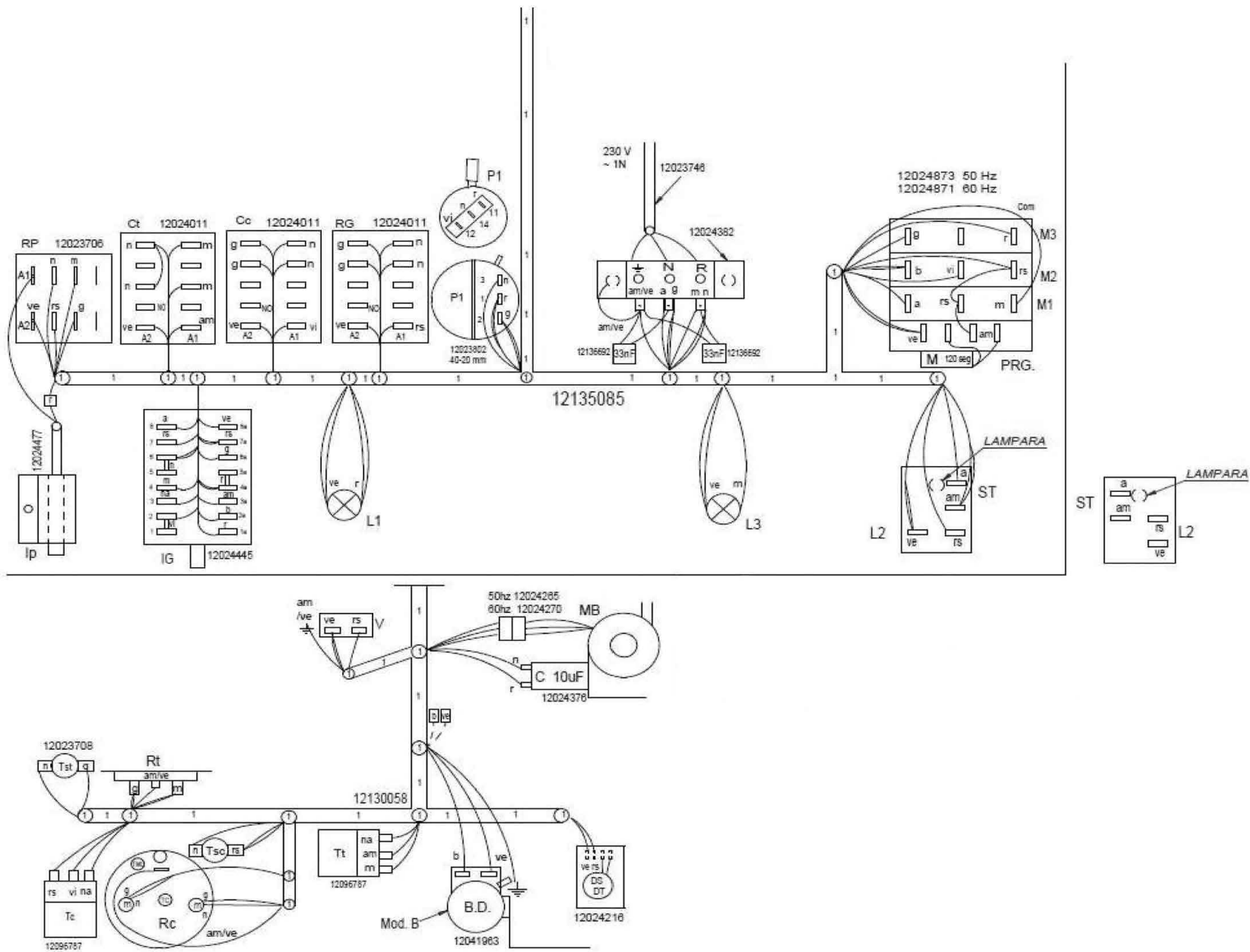
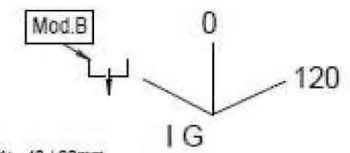
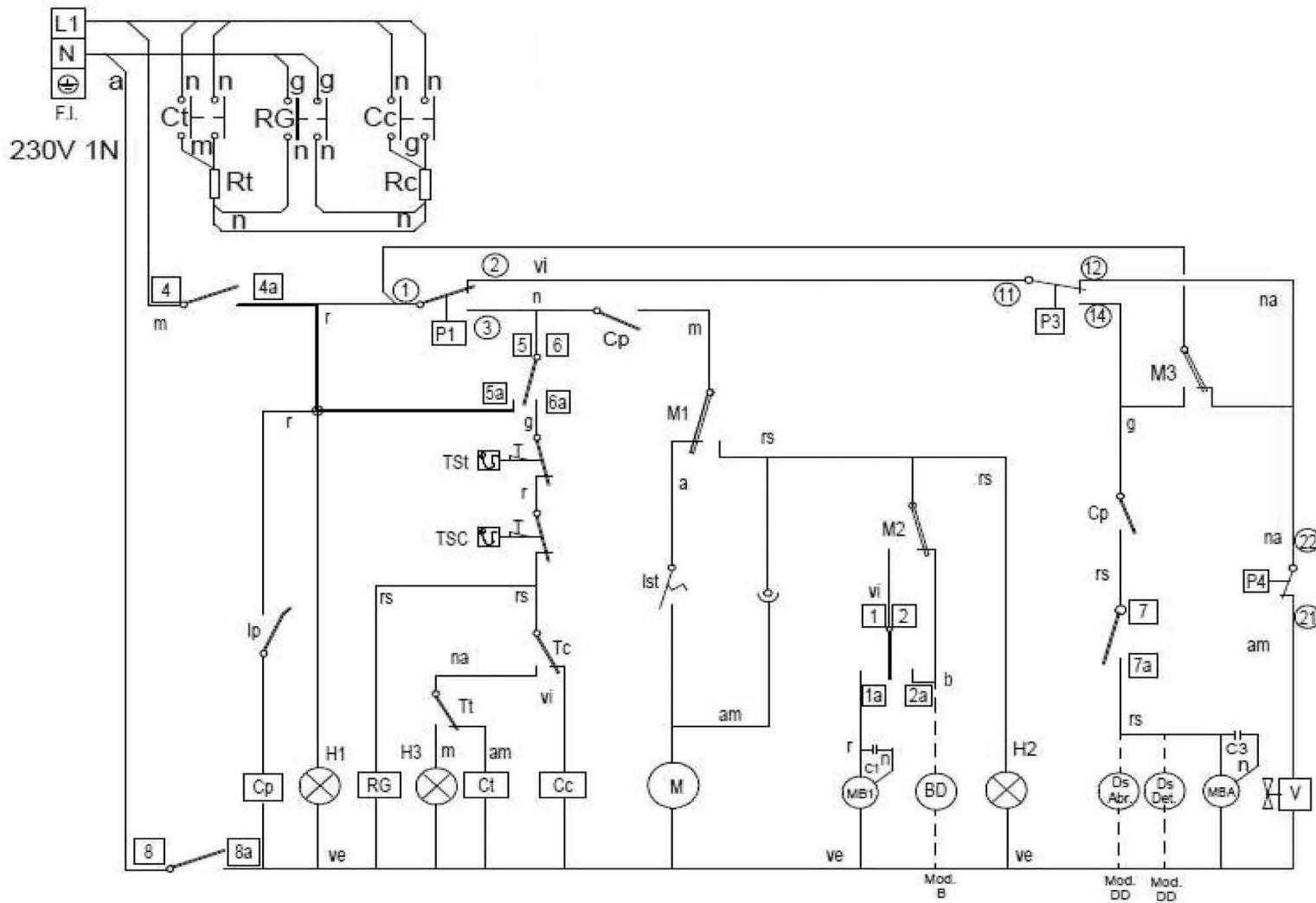


IG	1 1a	2 2a	3 3a	4 4a	5 5a	6 6a	7 7a	8 8a
		X		X	X			X
0								
120	X			X		X	X	X
	X		X	X		X	X	X

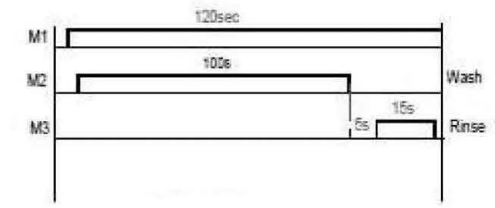






P1: 40 / 20mm
P3: 155 / 40mm
P4: 165 / 90mm

IG	1 1a	2 2a	3 3a	4 4a	5 5a	6 6a	7 7a	8 8a
Mod.B		X		X	X			X
0								
120	X		X	X		X	X	X
	X			X	X	X	X	X



Spülmaschine US E500 LPR
Artikel-Nr.: 110500

Schaltplan
Datum 25.05.2023

	ESPAÑOL	ENGLISH	FRANÇAIS	DUTSCH	ITALIANO
	Tierra de protección	Grounding	Mise à terre	toma de tierra? Erdung	Messa a terra
P	Puente de Conexión	Terminal block bridge	Pontage pour bloc de jonction	Verbindungsblockanschluss	Porte di connessione
BA	Bomba Aclarado	Rinse pump	Pompe de rinçage	Spülmittel dosierpumpe	Pompa di risciacquo
BD	Bomba desague	Drain pump	Pompe de vidange	Abflulpumpe	Pompa scarico
C, C1, C2	Condensador	Capacitor	Condensateur	kondensator	Condensatore
CMB	Contacto bomba lavado	Wash pump contactor	Contacteur pompe de lavage	Türrelais	Contattore pompa lavaggio
Cc	Contacto calentamiento calderin	Boiler heating contactor	Contacteur chauffage surchauffeur	Kontaktschutz Waschpumpe	Contattore riscaldamento boiler
Ct	Contacto calentamiento tanque	Tank heating contactor	Contacteur chauffage cuve	Kontaktschutz Boilerheizung	Contattore riscaldamento serbatoio
CP	Relé puerta	Door relay	Relais de porte	Kontaktschutz Heizung tank	Relè porta
Da, Abr	Dosificador Abrillantador	Dispenser	Distributeur	Klarspülmittel dosierpumpe	Dosalore brillantante
Da, Det.	Dosificador Detergente	Detergent dispenser	Distributeur de détergent	Dosierer Spülmittel	Dosalore detergente
F	Fusible	Fuse	Fusible	Fuse	Fusibile
H1	Lampara encendido	Operation light	Voyant fonctionnement	Betriebsanzeigelampe	Spia accensione
H2, H5	Lampara de marcha	Start light	Voyant démarrage	Startanzeigelampe	Spia avvio
H3	Lampara maquina preparada	Light machine ready	Voyant machine prêt	Betriebsbereitschaftsanzeigelampe	Pilota macchina preparata
H4	Lampara falta Sal	Lamp salt missing	Lampe absence sel	Lampe Mangel Salz	Spia sale mancante
HRS	Sistema recuperador energia	Heat Recovery System	Système de récupération de chaleur	System für Hitze-Rückgewinnung	Sistema con recupero di calore
IG	Interruptor general	Main switch	Interrupteur général	Hauptschalter	Interruttore generale
IP	Micro puerta	Door microswitch	Micro porte	Mikroschalter Tür	Micro porta
let	Pulsador marcha	push button start	bouton de démarrage	Schalter (Ein)	Pulsante inizio
L1 L2 L3	Fases Conexión Eléctrica	Power Supply Phases	Phases de alimentation	Stromanschlussfase	Fasi di alimentazione
MB1, MB2	Bomba lavado	Wash Pump	Pompe de lavage	Waschpumpe	Pompa lavaggio
M	Motor Programador lavado	Wash timer Motor	Programmeur Moteur lavage	Motor Programmervorrichtung	Motore programatore
Mav,R	Motor Avance rapido Prg. Lav	Fast Forward Motor Prg. Wash	Moteur Avance rapide Prg. Lav	Motor Programmervorrich. Betrieb	Motore programatore avanzamento rapido
M1, 2, 3, 4, 5	Micros Programador Lavado	Wash Programmer switch	laver micro-programmeur	Motor Programmervorrich Spülen	Micro programmatore di lavaggio
M20, 21, 22, 23	Programador Regeneracion	Regeneration Timer	Programmeur régénération	Regenerierungsprogramm	Timer di rigenerazione
P	Puente	Electric bridge	Pont électrique	Elektrischesteg	Porte elettrico
P1	Presostato Tanque	Tank Pressure switch	Pressostat de cuve	Tank Druckwächter	Pressostato serbatoio
P2	Presostato Bomba desague	Drain pump Pressure switch	Pressostat de Pompe de vidange	Abflulpumpe Druckwächter	Pressostato pompa scarico
P3	Presostato calderin	Boiler Pressure switch	Pressostat de surchauffeur	Boiler Druckwächter	Pressostato boiler
PRG	Programador Electronico	Electrc progammer	Programmeur électronique	Elektronischer Programmierer	Programmatore elettronico
PRG P2	Puente Soft Start	Soft Start Jumper	Soft Start Cavalier	Soft Start Brücke	Porte Soft Start
Rc	Resistencia calderin	Boiler heating element	Resistance surchauffeur	Heizwiderstand Boiler	Resistenza boiler
RG	Relé General	Main Relay	Relais principal	Stromversorgungsanschluß Gener.	Relè generale
RST	Relé Marcha	Start up relay		Relais	Relè inizio
Rt	Resistencia tanque	Tank heating element	Resistance cuve	Heizwiderstand tank	Resistenza serbatoio
SC	Sonda Temperatura Calderin	Boiler temperature sensor	Surchauffeur capteur de température	Temperaturesensor Boiler	Boiler sonda temperatura
ST	Sonda Temperatura tanque	Tank temperature sensor	Cuve capteur de température	Temperaturesensor Tank	Serbatoio sonda temperatura
TC	Termostato calderin	Boiler thermostat	Thermostat surchauffeur	Thermostat kessel	Termostato boiler
Tmp	Temporizador	Timer	Minuteur	Timer	Timer
TRF	Transformador	Transformer	Transformateur	Transformator	Transformatore
TSC	Termostato Limitador calderin	Boiler Hi-limit thermostat	Thermostat Limiteur surchauffeur	Begrenzer Boiler	Limitatore boiler
TST	Termostato Limitador tanque	Tank Hi-limit thermostat	Thermostat Limiteur de cuve	Begrenzer tank	Limitatore serbatoio
TT	Termostato tanque	Tank thermostat	Thermostat de cuve	Thermostat tank	Temostato serbatoio
V	Electrovalvula llenado	Water solenoid valve	Electrovanne d'eau	Elektroventil Füllen und Spülen	Elettroval riempimento e risciacquo
VF	Electrovalvula agua Fria	Water solenoid valve	Electrovanne d'eau	Elektroventil Füllen und Spülen	Elettroval riempimento e risciacquo
VR1, VR2,VR3,BR	Electrovalvulas Regeneracion	Regeneration solenoid valve	vanne de régénération	Regenerierventil	Valvola di rigenerazione
	COLOUR	COLOUR	COULEURS	FARBEN	COLORE
a	= BLU	Azul	Blue	Bleu	Blu
am	= YEL	Amatillo	Yellow	Jaune	Gelb
am/vo	= YEL/GRN	Amatillo/Verde	Yellow / green	Jaune / vert	Gelb/ grün
b	= WHT	Blanco	White	Blanc	WeiB
g	= GRY	Grís	Grey	Grís	Gräu
m	= BRN	Marron	Brown	Marron	Braun
n	= BLK	Negro	Black	Noir	Schwarz
na	= ORG	Naranja	Orange	Orange	Orange
r	= RED	Rojo	Red	Rouge	Rot
rs	= PNK	Rosa	Pink	Rose	Rosa
vo	= GRN	Verde	Green	Vert	Grün
vi	= PRP	Violeta	Purple	Pourpre	Violett
			12103338		



Spülmaschine US E500 LPR
Artikel-Nr.: 110500

Schaltplan
Datum 25.05.2023