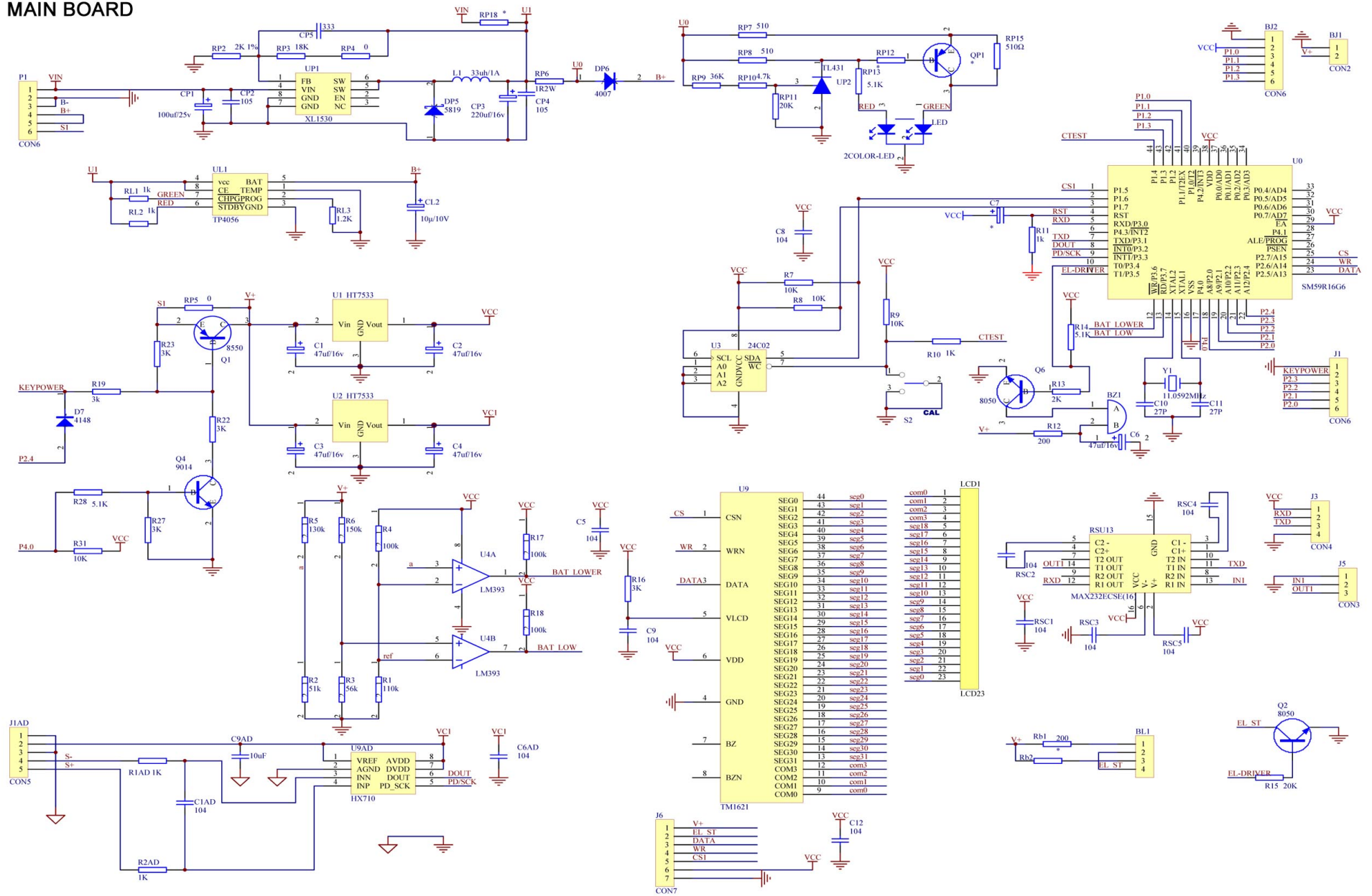


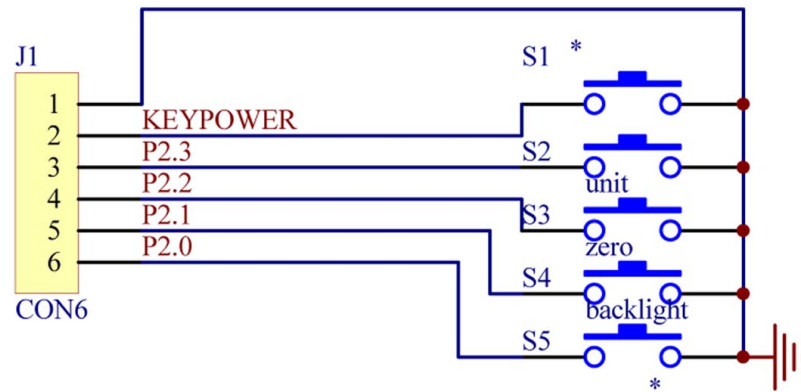
MAIN BOARD



Elektronische Küchenwaage
 Artikel-Nr.: A300.117/A300.118

Schaltplan
 01.10.2012

KEY BOARD



SN	NAME	TYPE	PCB PLACE	NUMBER	UNIT
1	MAIN BOARD		JZC-12_MPLC1.0/72.5*83.0*1.5	1	PCS
2	resistance	RT-2W-1Ω	RP6	1	PCS
3	resistance	2K-0805/±1%	R13	1	PCS
4	resistance	2K-0805/±1%	RP2	1	PCS
5	resistance	20K-0805	R15 RP11	2	PCS
7	resistance	36K-0805	RP9	1	PCS
8	resistance	56K-0805	R3	1	PCS
9	resistance	100K-0805	R4 R17 R18	3	PCS
10	resistance	110K-0805	R1	1	PCS
11	resistance	130K-0805	R5	1	PCS
12	resistance	4.7K-0805	RP10	1	PCS
13	resistance	10K-0805	R7 R8 R9	3	PCS
14	resistance	200Ω-0805	Rb1 R12	2	PCS
15	resistance	5.1K-0805	R14	1	PCS
16	resistance	51K-0805	R2	1	PCS
17	resistance	1K-0805	R1AD R2AD R10 R11	4	PCS
18	resistance	3K-0805	R16	1	PCS
19	resistance	150K-0805	R5 R6	1	PCS
20	resistance	510Ω-0805	RP7 RP8 RP15	3	PCS
21	resistance	18K-0805/ ±1%	RP3	1	PCS
22	resistance	0R-0805 +/- 5%	RP5 RP4	2	PCS
24	resistance	5.1K-0603	RP13	1	PCS
25	inductance	33uh/1A	L1	1	PCS
26	cap	CD-220µF/16V/φ6*11	CP3	1	PCS
27	cap	47µF/16V	C1 C2 C3 C4 C6	5	PCS
28	cap	10µF/16V	C9AD	1	PCS
29	cap	CD-100µF/25V	CP1	1	PCS
30	cap	27p-0805	C10,C11	2	PCS
31	cap	104-0805	C1AD C5 C6AD C8 C9 C12 RSC1 RSC2 RSC3 RSC4 RSC5	11	PCS
32	cap	105-0805	CP2 CP4	2	PCS
33	cap	333-0805	CP5	1	PCS
34	diode	1N4007	DP6	1	PCS
35	audion	8050/ J3Y	Q2 Q6	2	PCS
36	ic	TL431-TO-92	UP2	1	PCS
37	ic	TM1621-qfp44	U9	1	PCS
38	ic	LM393P-SO-08	U4	1	PCS
39	ic	HX710-SOP8	U9AD	1	PCS
40	ic	MAX3232DR-SO-16	RSU13	1	PCS
41	ic	STC 11F32XE 35i LQFP	U0	1	PCS
42	ic	SM59R16G6-QFP44	U0	1	PCS
43	ic	CW24C02BDR-SO-8	U3	1	PCS
44	ic	HT7130	U1 U2	2	PCS
45	lcd	GH09867-TP0/23	LCD1	1	PCS
46	LEDback light	KW-KD-031G-B-02/146*43*3mm/	BL1	1	PCS
47	connector	1*40/B6.8mm	J3	2/40	PCS
48	connector	XH-06A/	J1	1	PCS
49	connector	XH-3A/	J5	1	PCS
50	crystal	11.0592MHz	Y1	1	PCS
51	buzzer	KC-1201-16Ω	BZ1	1	PCS
1	KEY BOARD	JZC-12_KXXX1.0/86.2*52.9*1.5		1	PCS
2	line	XH-06*70mm		1	PCS
3	key	12*12*12	S2 S3 S4	3	PCS