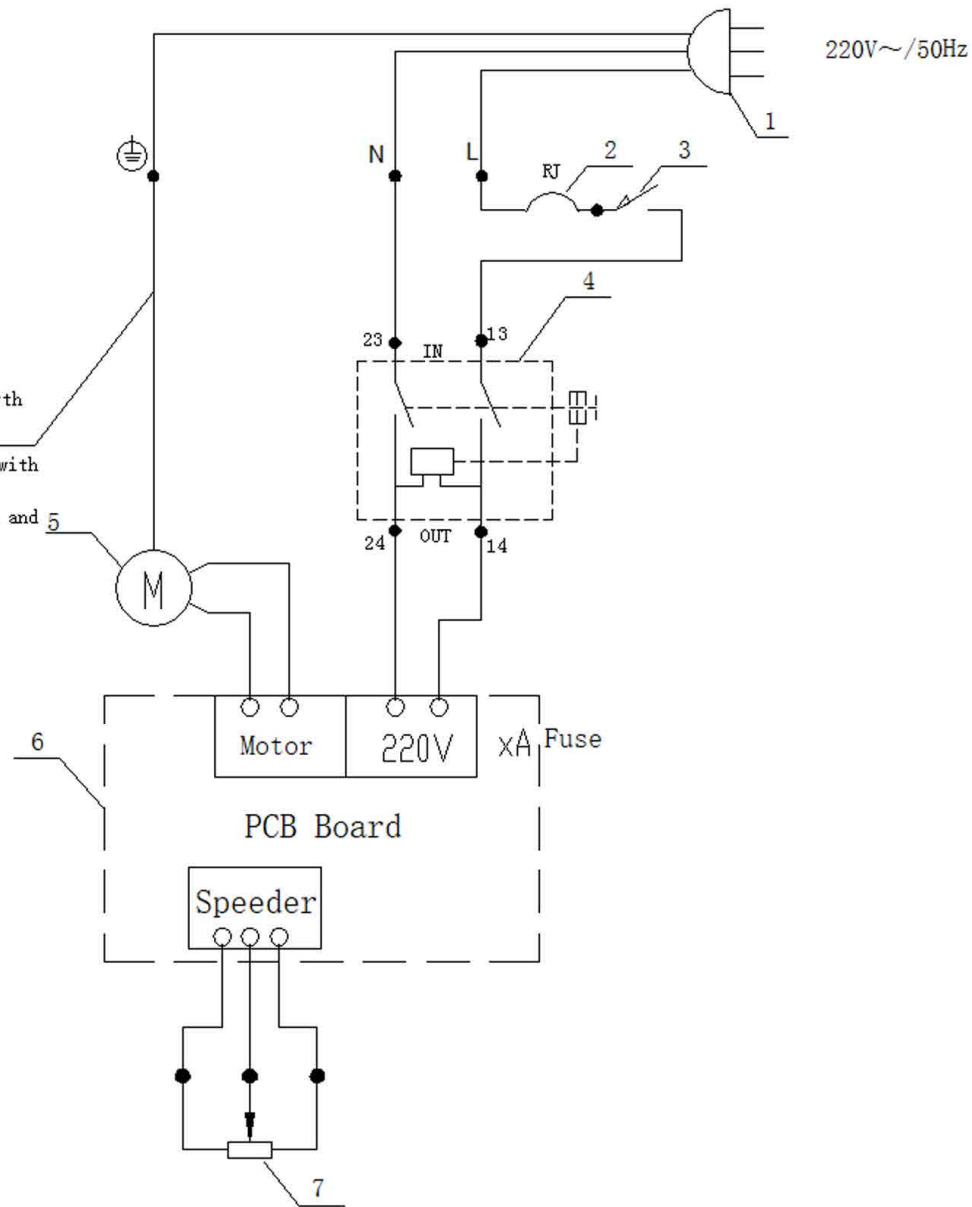


Yellow green wire is the earth wire.  
 It is reliably connected with the machine framework, all the parts easy to touch and the metal parts.



7	Potentiometer
6	Circuit Board
5	Motor
4	Electromagnetic Switch
3	Micro-switch
2	Overload Protector
1	Power Cord W/Plug